

Verint Camera Mounting Selection Reference Guide

January 27, 2021

VERINT.

About this Guide

The Verint Camera Mounting Selection Guide is designed to be a quick and comprehensive guide for users seeking detailed mounting information on any Verint IP Camera. The camera package already includes the required accessories for standard mounting. This guide offers information to assist you in choosing the correct mounting configuration and ordering information for Verint IP Cameras:

This guide offers information to assist you in choosing the correct mounting configuration and ordering information for Verint IP Cameras:

- Pictures of each camera in each available mounting configuration
- Ordering Chart that presents exactly which camera and mount combination will achieve the desired result
- Mechanical drawings of every Verint IP camera and mounting adapter

For standard mounting instructions and configuration, refer to the appropriate user guide:

- Verint V3420RD User Guide
- Verint V3520 Series User Guide
- Verint V3720 Series User Guide
- Verint V4420-M User Guide
- Verint V4530 Series User Guide
- Verint V4750 Series User Guide
- Verint V5620 PTZ User Guide
- Verint V6050 Series User Guide
- Verint V7120 Series User Guide
- Verint V7620 PTZ User Guide
- Verint V8080 Series User Guide

Box Cameras

V4750BX-DN Box Cameras

The Verint V4750BX-DN cameras accommodate a wide range of video surveillance requirements. They provide excellent video quality in both day and night conditions, with an IR cut filter that is automatically removed for optimum image clarity in low-light environments.

Mounting Type		What to Order
Outdoor Wall		VPOE-2



V8080BX-DN Box Cameras

Verint's V8080BX-DN IP box camera features 4k (8MP) ultra-high resolution images, true WDR, Auto Back Focus, and built in analytics. The V8080FDW-DN delivers sharp, detailed images and provides excellent coverage in any situation. This camera can be installed anywhere where high resolution and extra detail is required like casinos, cash counting rooms and other important places

For basic indoor mounting, these box cameras can be used with hundreds of different arms and mounts. Verint does not provide its own line of mounts for these box cameras due to the wide selection available on the market today.

For outdoor mounting, the V8080BX-DN can be used with a variety of different enclosures. Verint offers a single enclosure (the VPOE-2 EXT) with mounting brackets and sunshield that is environmentally-rated and works with the V8080BX-DN. If you choose a third-party enclosure, make sure that the housing's internal dimensions can accommodate the camera.

Note

This does not include the length of any lens you install, or extra space needed for the connections on the rear of the camera and the auto-iris connector on the side of the camera.

Mounting Type What to Order

Outdoor Wall	VPOE-2 or VPOE-2
--------------	--



Bullet Cameras

V3720BTW-DN Cameras

The Verint V3720BTW-DN cameras accommodate a wide range of video surveillance requirements. They provide excellent video quality in both day and night conditions, with an IR cut filter that is automatically removed for optimum image clarity in low-light environments.



Dome Cameras

V3420RD Cameras

The Verint V3420RD is a 1080p 2MP Recess Mount Indoor Dome.



V3520FD-DN and V4530FD-DN Cameras

The Verint V3520FD-DN is an easy-to-use network cameras with a 2.0 MP megapixel resolutions to accommodate a wide range of video surveillance requirements. The Verint V4530FD-DN series professional IP cameras feature high-definition 3.0 megapixel resolutions to accommodate a wide range of video surveillance requirements. They provide excellent video quality in both day and night conditions, with an IR cut filter that is automatically removed for optimum image clarity in low-light environments or where secondary infrared illumination is used.

Mounting Type	What to Order
Wall Mount Option 1	1. WM-002 - L-shape Bracket
Wall Mount Option 2	1. WM-001 - Wall Mount Kit 2. PC-5-001 - Pendant Cap
Pendant Mount Option	1. PC-5-001 - Pendant Cap 2. PP-001 - Pipe Kit ¹ 3. PM-002 - Pendant Head kit
Corner	1. CM-001 - Corner mount kit 2. WM-001 - Wall Mount Kit 3. PC-5-001 - Pendant Cap
Pole	1. PO-001 - Pole Mount 2. WM-001 - Wall Mount Kit 3. PC-5-001 - Pendant Cap
Recess Mount	IC-V4530FD Recess Mount Kit (for V4530FD) or IC-V3520FD/FDW Recess Mount Kit (for V3520FD)

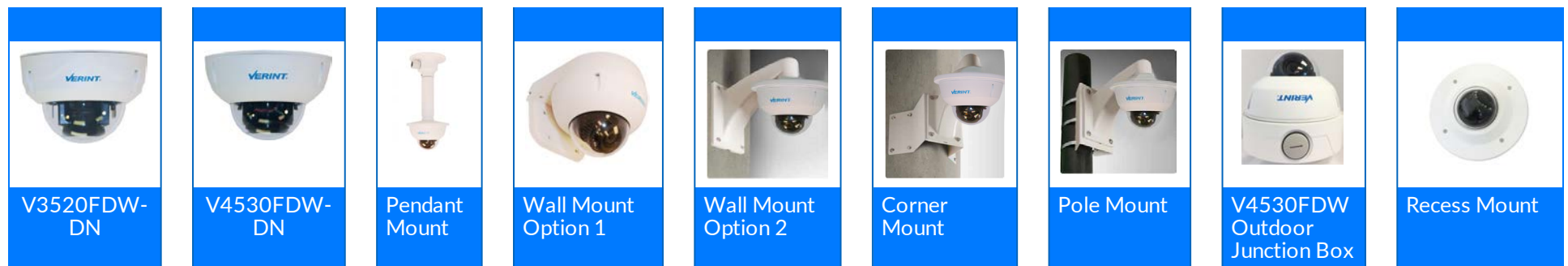


¹Male 3/4" NPT or Female 1.5" NPT pipe not supplied by Verint.

V3520FDW-DN and V4530FDW-DN Cameras

The Verint V3520FDW-DN and V4530FDW-DN cameras accommodate a wide range of video surveillance requirements. They provide excellent video quality in both day and night conditions, with an IR cut filter that is automatically removed for optimum image clarity in low-light environments.

Mounting Type	What to Order				
Wall Mount	<table border="1"> <thead> <tr> <th>Option 1</th> <th>Option 2</th> </tr> </thead> <tbody> <tr> <td>WM-002 - L-shape Bracket</td> <td> <ol style="list-style-type: none"> WM-001 - Wall Mount Kit PC-7-001 - Pendant Cap (for V4530FDW) or PC-5-001 - Pendant Cap (for V3520FDW) </td> </tr> </tbody> </table>	Option 1	Option 2	WM-002 - L-shape Bracket	<ol style="list-style-type: none"> WM-001 - Wall Mount Kit PC-7-001 - Pendant Cap (for V4530FDW) or PC-5-001 - Pendant Cap (for V3520FDW)
	Option 1	Option 2			
WM-002 - L-shape Bracket	<ol style="list-style-type: none"> WM-001 - Wall Mount Kit PC-7-001 - Pendant Cap (for V4530FDW) or PC-5-001 - Pendant Cap (for V3520FDW) 				
Pendant Mount Option	<ol style="list-style-type: none"> PC-7-001 - Pendant Cap (for V4530FDW) or PC-5-001 - Pendant Cap (for V3520FDW) PP-001 - Pipe Kit¹ PM-002 - Pendant Head kit 				
Corner	<ol style="list-style-type: none"> CM-001 - Corner mount kit WM-001 - Wall Mount Kit PC-7-001 - Pendant Cap (for V4530FDW) or PC-5-001 - Pendant Cap (for V3520FDW) 				
Pole	<ol style="list-style-type: none"> PO-001 - Pole Mount WM-001 - Wall Mount Kit PC-7-001 - Pendant Cap (for V4530FDW) or PC-5-001 - Pendant Cap (for V3520FDW) 				
Outdoor Junction box	CND-4530FDW Junction Box (for V4530FDW)				
Recess Mount	IC-V3520FD/FDW Recess Mount Kit (for V3520FDW)				



¹Male 3/4" NPT or Female 1.5" NPT pipe not supplied by Verint.

V3720FDW-DN Cameras

The Verint V3720FDW-DN cameras accommodate a wide range of video surveillance requirements. They provide excellent video quality in both day and night conditions, with an IR cut filter that is automatically removed for optimum image clarity in low-light environments.

Mounting Type	What to Order	
Wall Mount	Option 1 WM-002 - L-shape Bracket	Option 2 1. WM-001 - Wall Mount Kit 2. PC-5-001 - Pendant Cap
Pendant Mount Option	1. PC-5-001 - Pendant Cap 2. PP-001 - Pipe Kit ¹ 3. PM-002 - Pendant Head kit	
Corner	1. CM-001 - Corner mount kit 2. WM-001 - Wall Mount Kit 3. PC-5-001 - Pendant Cap	
Pole	1. PO-001 - Pole Mount 2. WM-001 - Wall Mount Kit 3. PC-5-001 - Pendant Cap	
Recess Mount	IC-V3720FDW Recess Mount Kit	



V3720FDW-DN

Pendant Mount

Wall Mount Option 1

Wall Mount Option 2

Corner Mount

Pole Mount

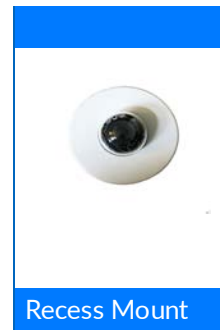
Recess Mount

¹Male 3/4" NPT or Female 1.5" NPT pipe not supplied by Verint.

V4750FDW-DN Cameras

The Verint V4750FDW-DN cameras accommodate a wide range of video surveillance requirements. They provide excellent video quality in both day and night conditions, with an IR cut filter that is automatically removed for optimum image clarity in low-light environments.

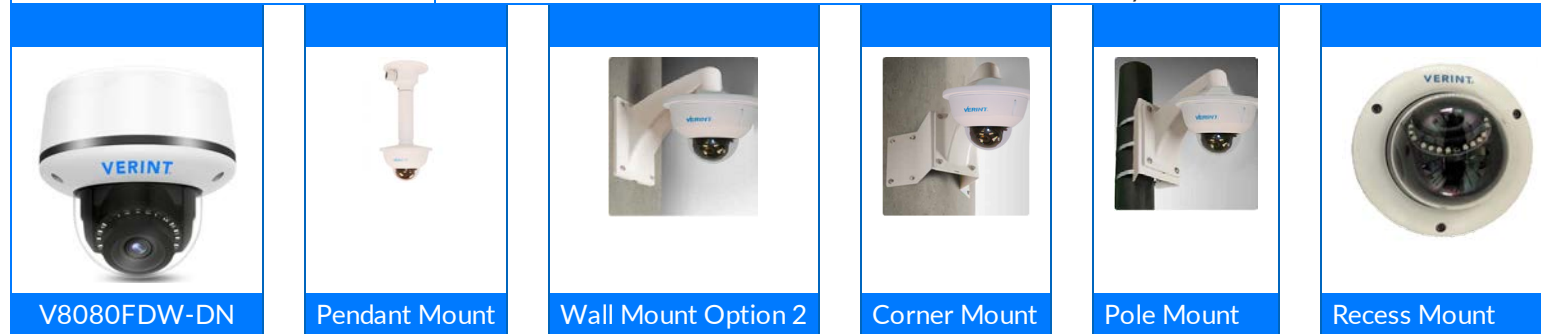
Mounting Type	What to Order
Wall Mount	<ol style="list-style-type: none"> WM-001 - Wall Mount Kit "PS11-PS11-ADP - Adapter Ring" (page 57) "PC-6-001 - Pendant Cap" (page 48)
Pendant Mount	<ol style="list-style-type: none"> "PC-6-001 - Pendant Cap" (page 48) "PS11-PS11-ADP - Adapter Ring" (page 57) PP-001 - Pipe Kit PM-002 - Pendant Head kit
Corner	<ol style="list-style-type: none"> CM-001 - Corner mount kit WM-001 - Wall Mount Kit "PS11-PS11-ADP - Adapter Ring" (page 57) "PC-6-001 - Pendant Cap" (page 48)
Pole	<ol style="list-style-type: none"> PO-001 - Pole Mount WM-001 - Wall Mount Kit "PS11-PS11-ADP - Adapter Ring" (page 57) "PC-6-001 - Pendant Cap" (page 48)
Recess Mount	IC-004 Recess Mount Kit



V8080FDW-DN Cameras

Verint's 8080FDW-DN Outdoor IP dome camera features 4k (8MP) ultra-high resolution images, true WDR capability, built in analytics and is built to withstand rain, dust and cold. The V8080FDW-DN delivers sharp, detailed images and provides excellent coverage in outdoor environments like parking lots, airports, and other large spaces. The Smart IRs help it see clearly at night up to 40 meters from the camera enabling the camera to produce good quality images even when the lighting conditions are poor. With built in butterfly recess mounts, it is excellent for Indoor use and can be easily installed in a wall or ceiling where extra detail is required like casinos, cash counting rooms and other important places.

Mounting Type	What to Order
Wall Mount	<ol style="list-style-type: none"> WM-001 - Wall Mount Kit "PS11-PS11-ADP - Adapter Ring" (page 57) "PC-6-001 - Pendant Cap" (page 48)
Pendant Mount	<ol style="list-style-type: none"> "PC-6-001 - Pendant Cap" (page 48) "PS11-PS11-ADP - Adapter Ring" (page 57) PP-001 - Pipe Kit PM-002 - Pendant Head kit
Corner	<ol style="list-style-type: none"> CM-001 - Corner mount kit WM-001 - Wall Mount Kit "PS11-PS11-ADP - Adapter Ring" (page 57) "PC-6-001 - Pendant Cap" (page 48)
Pole	<ol style="list-style-type: none"> PO-001 - Pole Mount WM-001 - Wall Mount Kit "PS11-PS11-ADP - Adapter Ring" (page 57) "PC-6-001 - Pendant Cap" (page 48)
Recess Mount	Built into the camera. Remove the base and use the butterfly screws.



V8080FDW-DN

Pendant Mount

Wall Mount Option 2

Corner Mount

Pole Mount

Recess Mount

Fisheye/360° Cameras

V7120FD-DN 360° Cameras

The Verint V7120 series IP cameras are professional 360° IP cameras featuring superb image quality and exceptional bandwidth efficiency. The Verint V7120 series cameras incorporate adaptivestream compression technology to deliver crystal clear images, ultra-efficient bandwidth management, and excellent performance in both indoor and outdoor environments, wherever discreet or covert video surveillance is needed.

Mounting Type	What to Order
Wall	<ol style="list-style-type: none">1. PC-6-002 - Pendant Cap2. WM-001 - Wall Mount Kit
Pendant Mount Option	<ol style="list-style-type: none">1. PC-6-002 - Pendant Cap2. PP-001 - Pipe Kit¹3. PM-002 - Pendant Head kit
Corner	<ol style="list-style-type: none">1. CM-001 - Corner mount kit2. WM-001 - Wall Mount Kit3. PC-6-002 - Pendant Cap
Pole	<ol style="list-style-type: none">1. PO-001 - Pole Mount2. WM-001 - Wall Mount Kit3. PC-6-002 - Pendant Cap

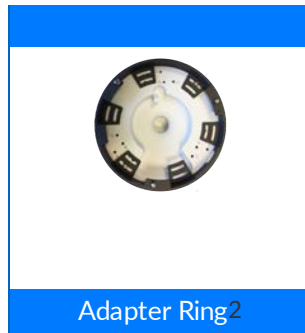


¹Male 3/4" NPT or Female 1.5" NPT pipe not supplied by Verint.

V7120FDW-DN 360° Cameras

The Verint V7120 series IP cameras are professional 360° IP cameras featuring superb image quality and exceptional bandwidth efficiency. The Verint V7120 series cameras incorporate adaptivestream compression technology to deliver crystal clear images, ultra-efficient bandwidth management, and excellent performance in both indoor and outdoor environments, wherever discreet or covert video surveillance is needed.

Mounting Type	What to Order
Wall	<ol style="list-style-type: none">PC-7-001 - Pendant CapWM-001 - Wall Mount Kit
Pendant Mount Option 1	<ol style="list-style-type: none">PC-7-001 - Pendant CapPP-001 - Pipe Kit¹PM-002 - Pendant Head kit
Corner	<ol style="list-style-type: none">CM-001 - Corner mount kitWM-001 - Wall Mount KitPC-7-001 - Pendant Cap
Pole	<ol style="list-style-type: none">PO-001 - Pole MountWM-001 - Wall Mount KitPC-7-001 - Pendant Cap



¹Male 3/4" NPT or Female 1.5" NPT pipe not supplied by Verint.
²Included with the V7120FDW-DN only. Use to connect the pendant cap to the camera.

HD Analog Cameras

CVI-BX Box Camera

The CVI-BX is a box camera equipped with top and bottom 1/4" x 20 threaded mounts, which are compatible with 99.9% of mounts and enclosures designed for box cameras. The camera uses HD-CVI HD BNC as the main output and you can also use standard CS mount lenses with standard auto iris connector ports.

The CVI-BX box camera has the following dimension: 58mm (2.28") x 58mm (2.28") x 121.4mm (4.77") (includes BNC at rear)

Note
This does not include the length of any lens you install, or extra space needed for the connections on the rear of the camera and the auto-iris connector on the side of the camera.



CVI-FD-DN Cameras

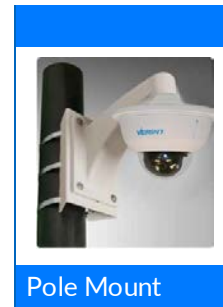
The Verint CVI-FD-DN cameras accommodate a wide range of video surveillance requirements. They provide excellent video quality in both day and night conditions, with an IR cut filter that is automatically removed for optimum image clarity in low-light environments.



CVI-FDW-DN Cameras

The Verint CVI-FDW-DN cameras accommodate a wide range of video surveillance requirements. They provide excellent video quality in both day and night conditions, with an IR cut filter that is automatically removed for optimum image clarity in low-light environments.

Mounting Type	What to Order
Wall Mount	<ol style="list-style-type: none"> WM-001 - Wall Mount Kit PC-CVI-FDW - Pendant Cap NPT-PS11 ADP Adapter
Pendant Mount Option	<ol style="list-style-type: none"> PC-CVI-FDW - Pendant Cap NPT-PS11 ADP Adapter PP-001 - Pipe Kit¹ PM-002 - Pendant Head kit
Corner	<ol style="list-style-type: none"> CM-001 - Corner mount kit WM-001 - Wall Mount Kit PC-CVI-FDW - Pendant Cap NPT-PS11 ADP Adapter
Pole	<ol style="list-style-type: none"> PO-001 - Pole Mount WM-001 - Wall Mount Kit PC-CVI-FDW - Pendant Cap NPT-PS11 ADP Adapter



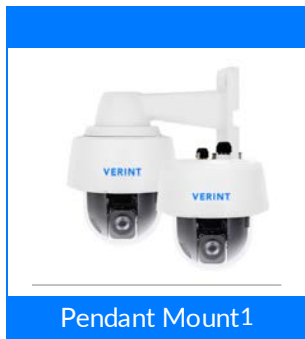
¹Male 3/4" NPT or Female 1.5" NPT pipe not supplied by Verint.

PTZ Cameras

V7620PTZ-30DW-C PTZ

The V7620 PTZ is a high-performance Full HD speed dome network camera. IP66, IK10 and Nema 4x rated enclosure, allows the camera to be used in the harshest environments. 30x optical zoom lens give the camera the ability to capture fine details at high quality. Adaptivestream technology optimizes image compression allowing it to maximize bandwidth usage, while producing a great image.

Mounting Type	What to Order
Pendant Mount	<ol style="list-style-type: none">1. PC-V7620PTZ - Pendant Cap2. PP-001 - Pipe Kit3. PM-002 - Pendant Head kit
Corner	<ol style="list-style-type: none">1. CM-001 - Corner mount kit2. WM-001 - Wall Mount Kit3. PC-V7620PTZ - Pendant Cap
Pole	<ol style="list-style-type: none">1. PO-001 - Pole Mount2. WM-001 - Wall Mount Kit3. PC-V7620PTZ - Pendant Cap



1Standard Wall mount included with camera, optional wall mount kit used in conjunction with Pendant, Corner, and Pole mountings.

Specialty Cameras

V4420-M Cameras

Verint's V4420 is a high-performance Full-HD split-type camera system. Its discreet design, rich functionality and ability to be flexibly integrated into even the tightest spaces, make this camera ideal for indoor or covert surveillance of ATMs, banks, stores and offices.

The V4420 features a separate camera unit and video core design, enabling the tiny camera unit (with 5-meter long cable) to be easily and flexibly installed into any decoration or interior design, thus preserving stylish appearances while dramatically saving on installation time and cost.

The V4420 offers two camera choices, A 2MP pinhole and a 2MP Wide format lens that can be used for 180 degree view. Both camera units incorporate a number of advanced features found in Verint cameras, including True WDR, AdaptiveStream technology, 3DNR, 802.3af compliant PoE, and on-board storage. All of these features and the V4420's unique design allow the camera units to capture clear images in high-contrast scenes, and to make this camera system the best possible solution for indoor surveillance when discretion is important.

Mounting Type	What to Order
ATM	ATM-M-4420 Bracket
Corner mount	CNR-4420-P Corner Mount (Black or White)
Gangbox internal camera cover plate	GNGBX-4420-P Gangbox Internal Camera Cover Plate (Silver/gray or White)
Tilt mount	ATM-M-4420 Bracket



V4420-M-P



V4420-M-W



Standard Flush Mount¹



CNR-4420-P-B/W



GNGBX-4420-P-B/W

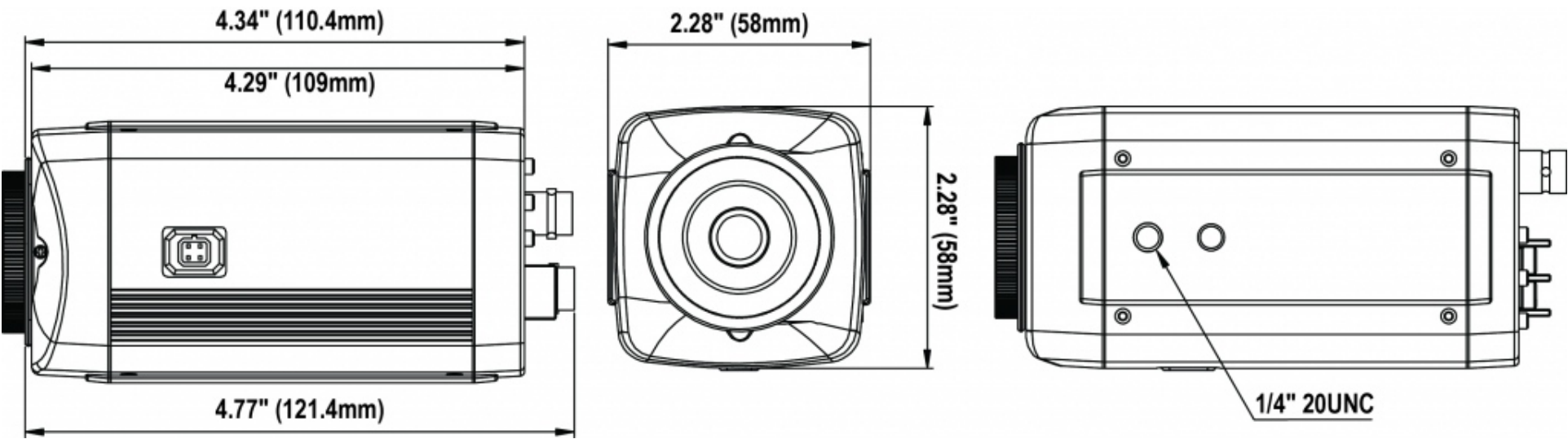


STAN-M-4420

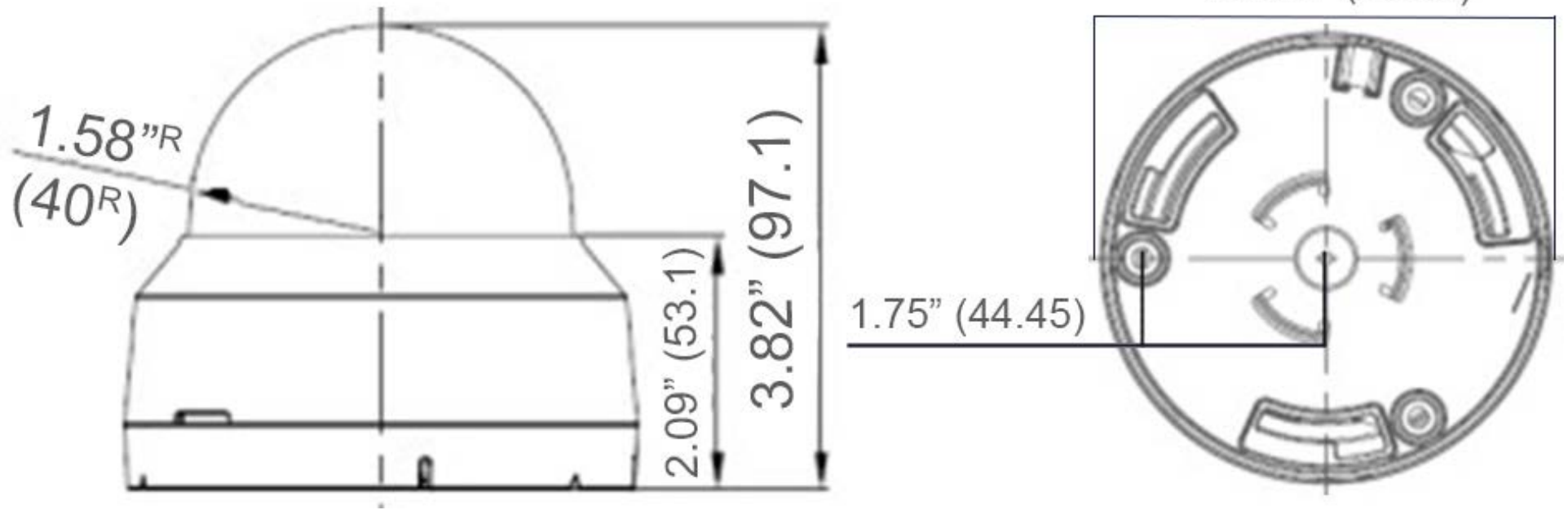
¹Included with the V4420-M.

Camera Drawings

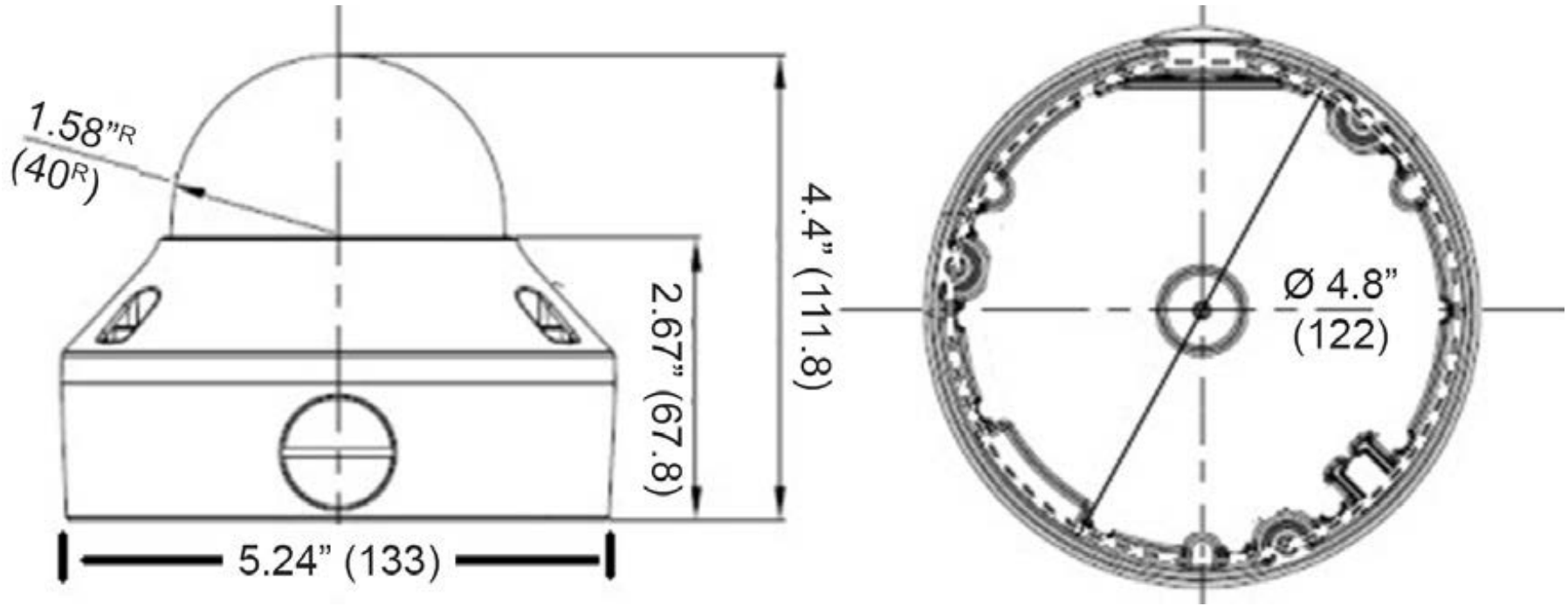
CVI-BX



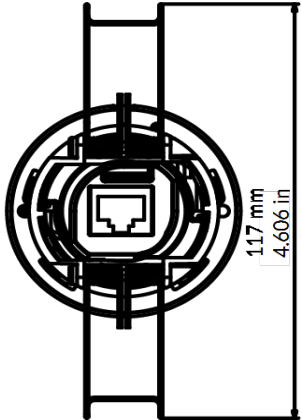
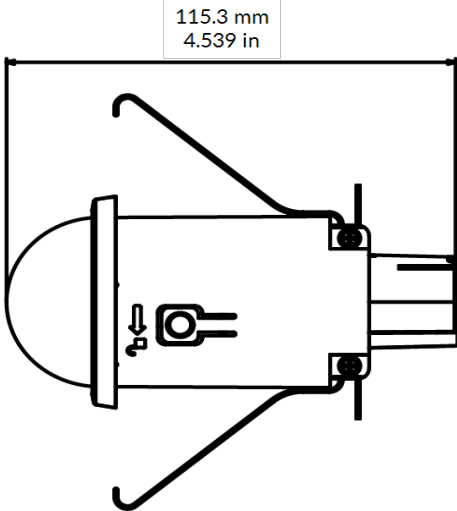
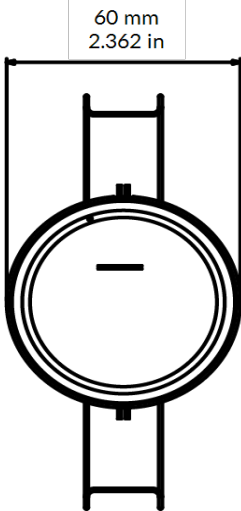
CVI-FD



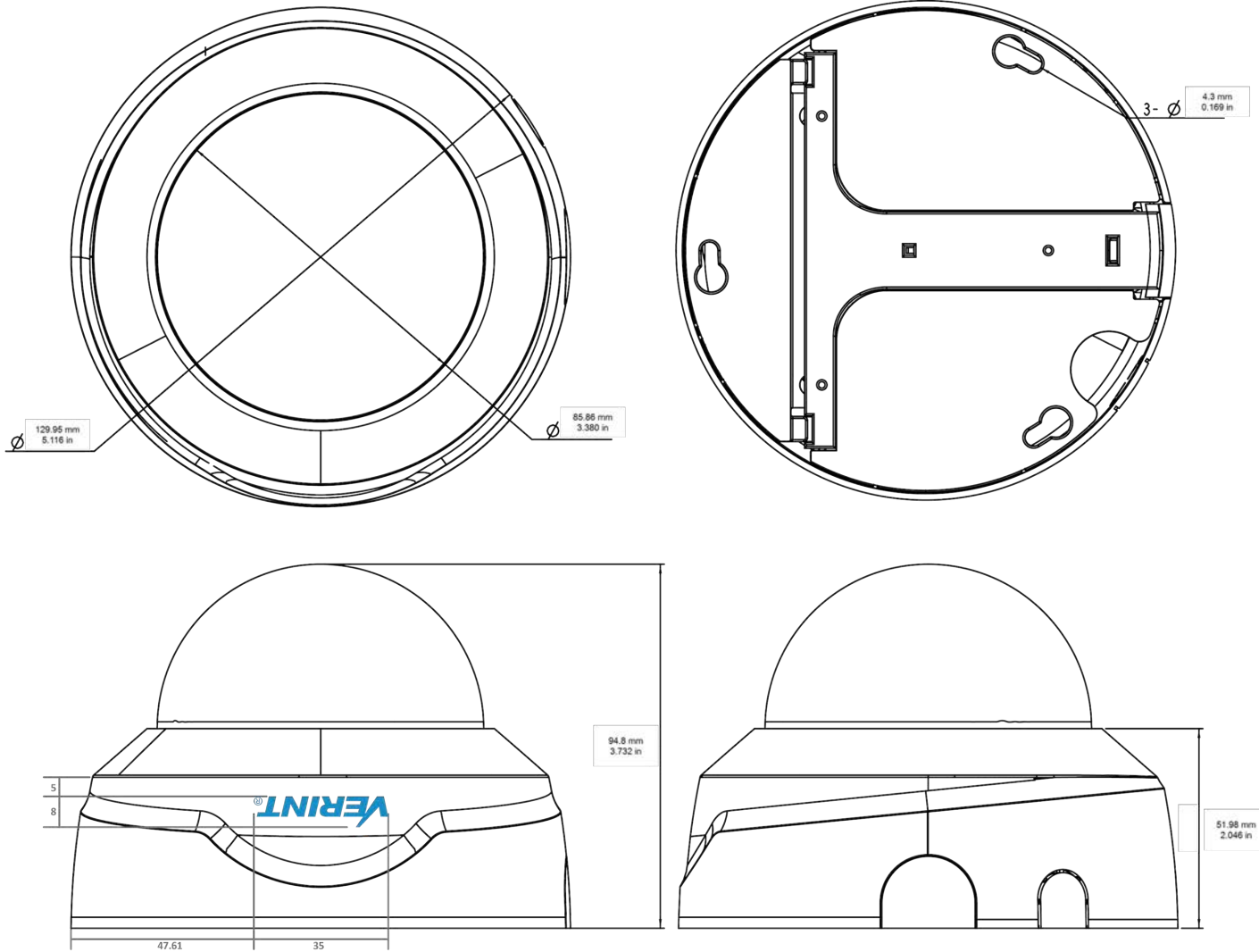
CVI-FDW



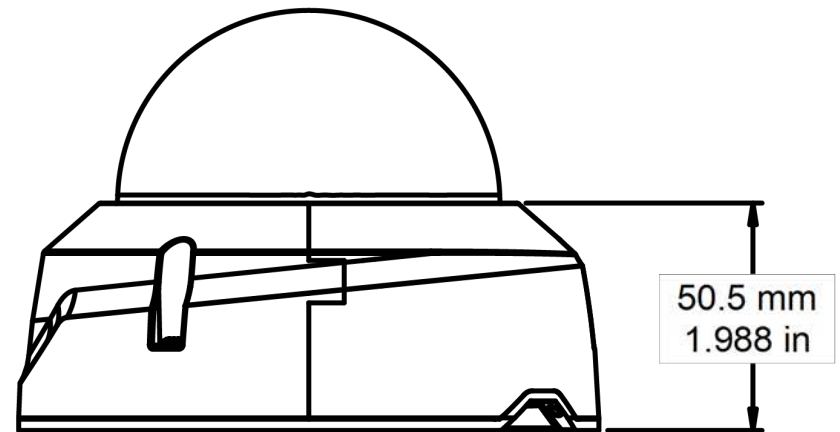
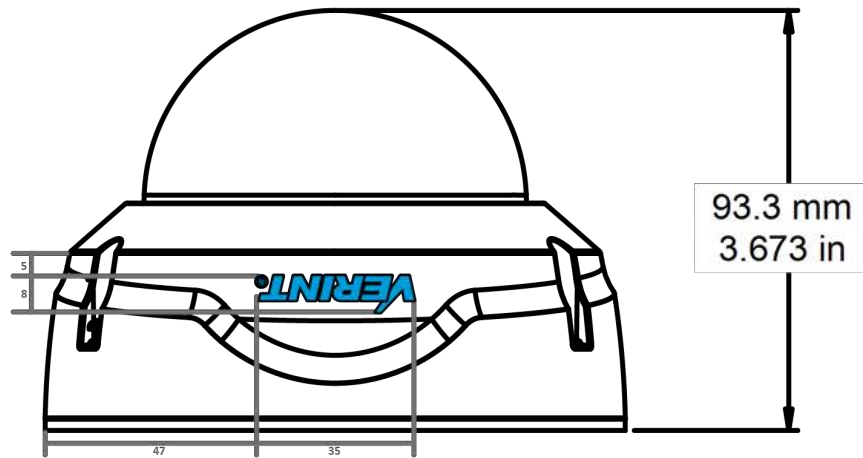
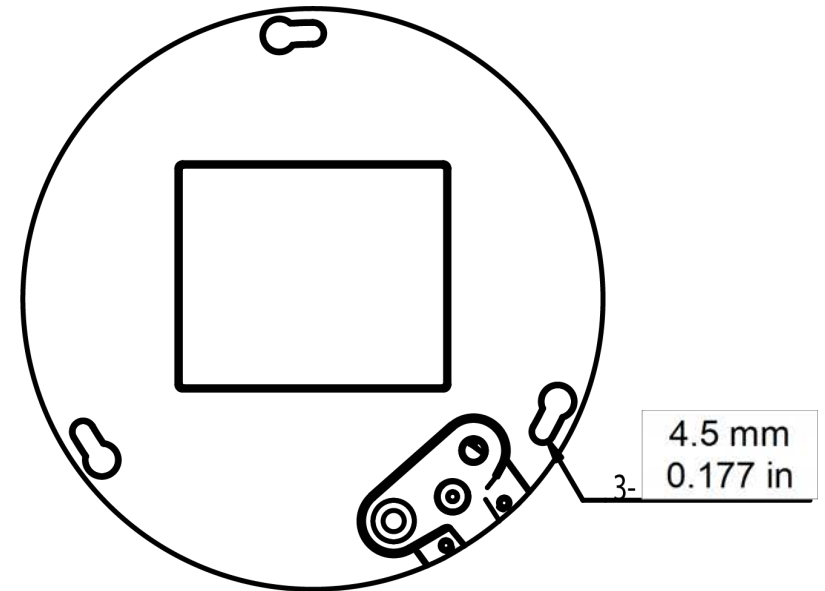
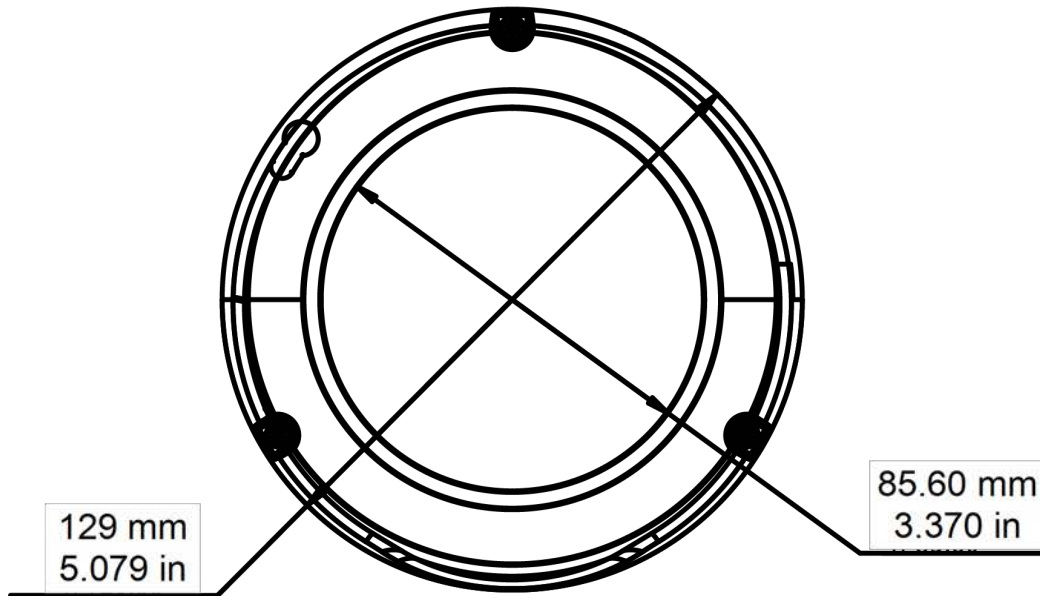
V3420RD



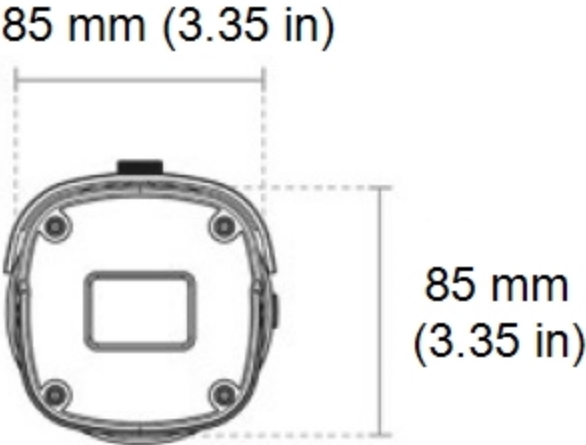
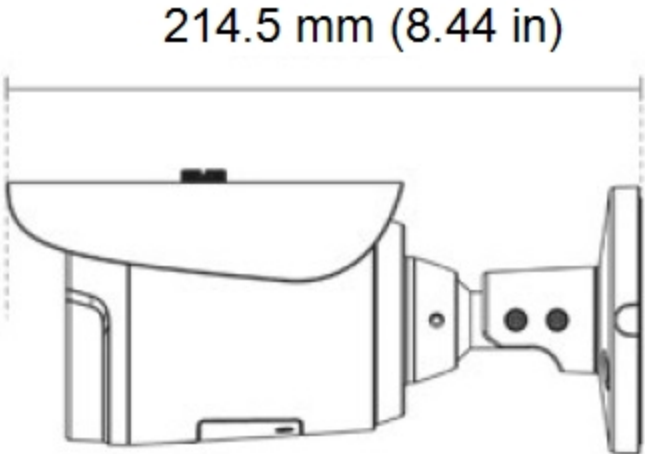
V3520FD-DN



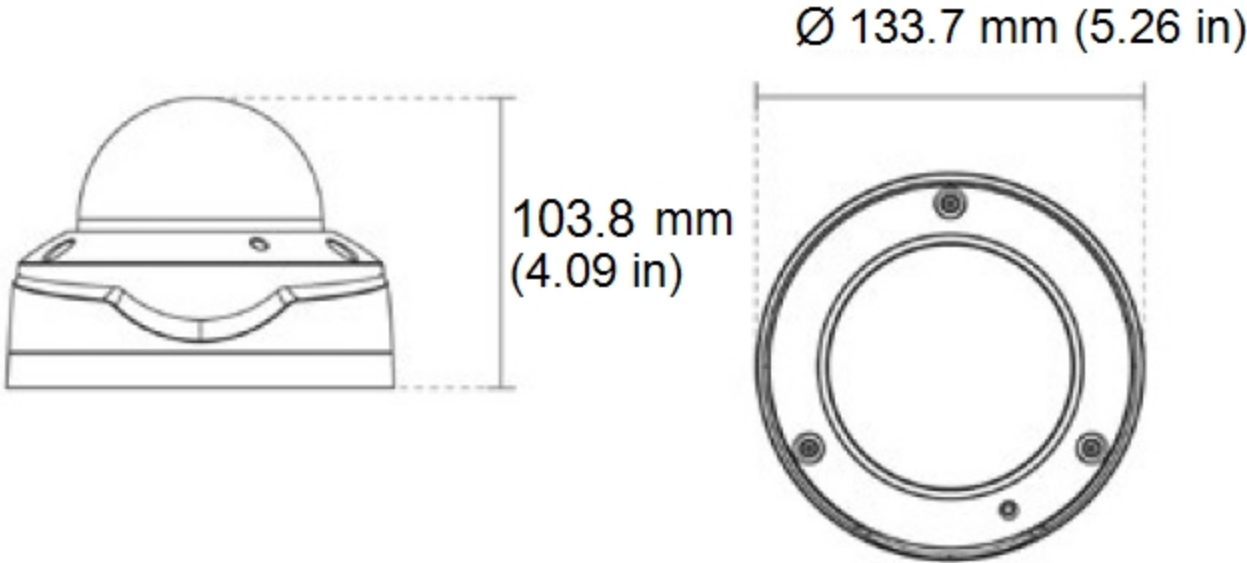
V3520FDW-DN



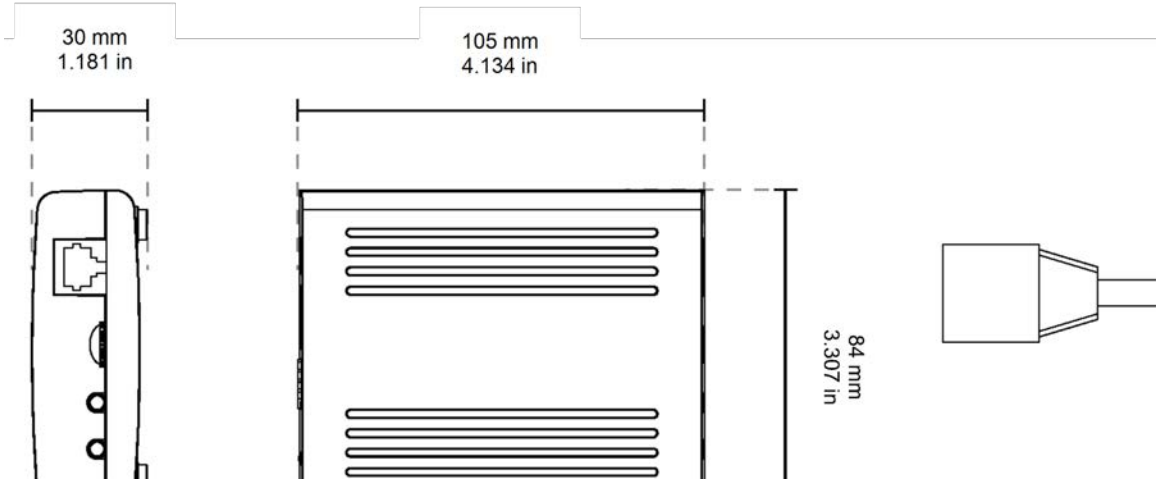
V3720BTW-DN



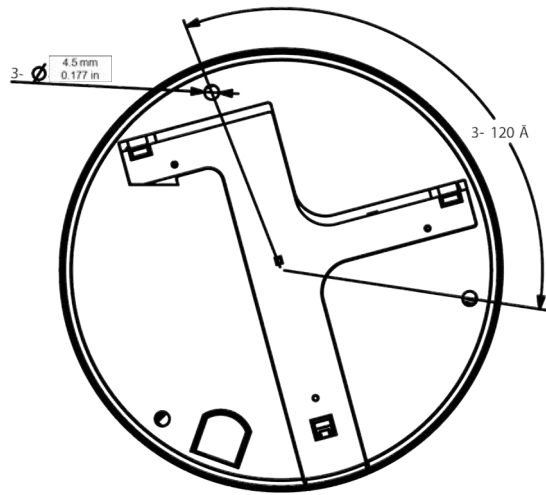
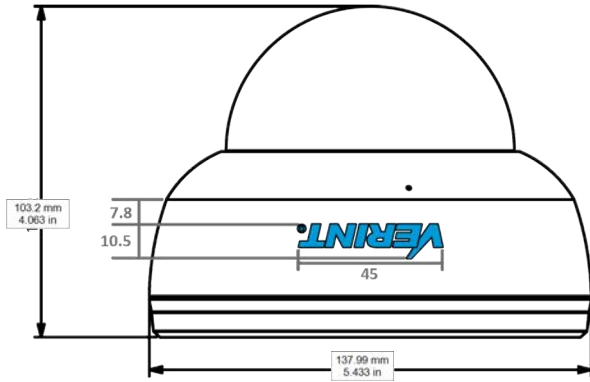
V3720FDW-DN



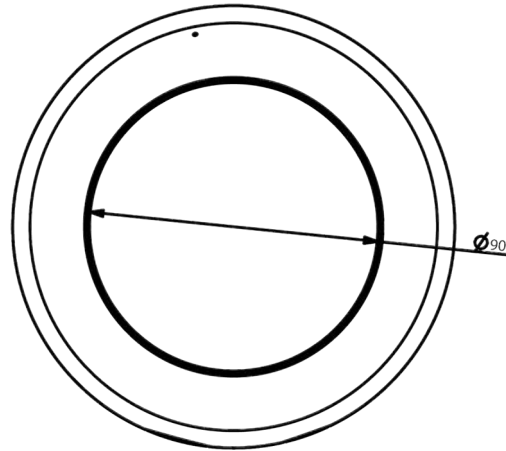
V4420-M



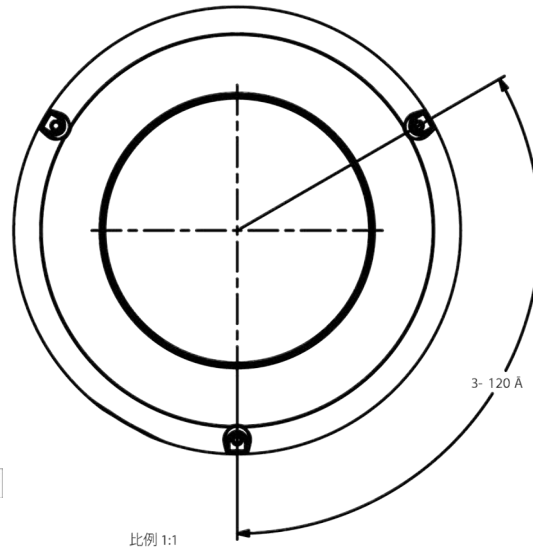
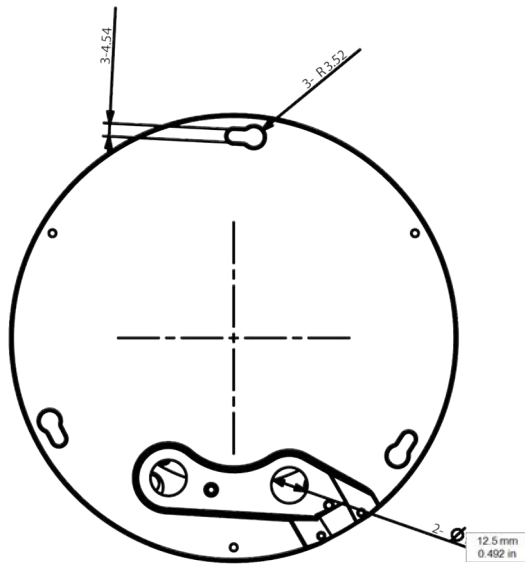
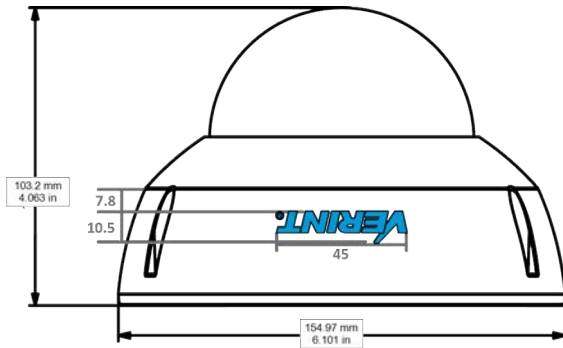
V4530FD-DN



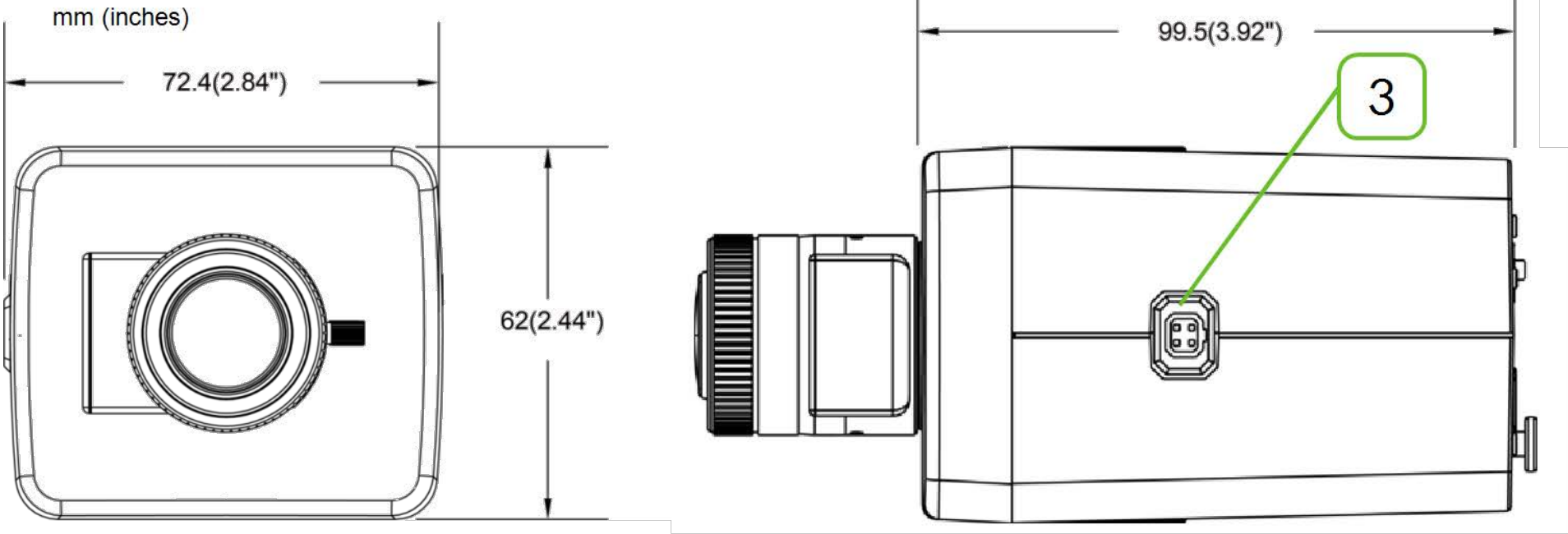
比例 1:1



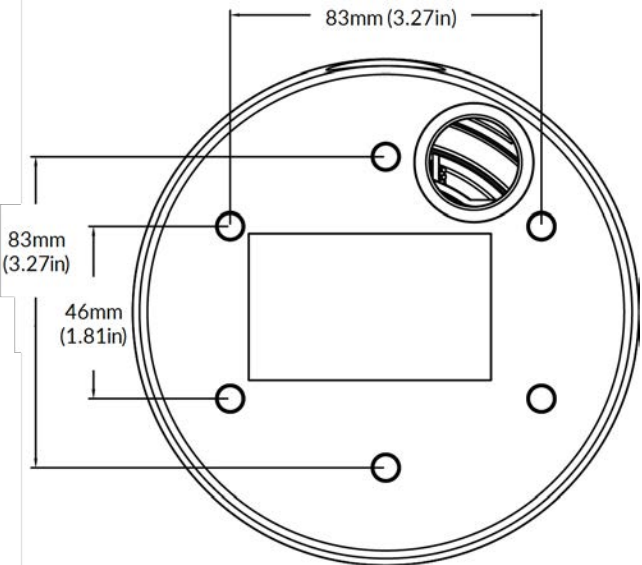
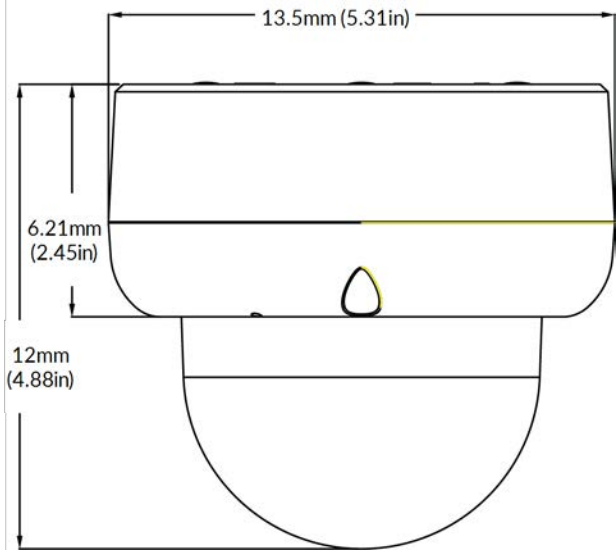
V4530FDW-DN



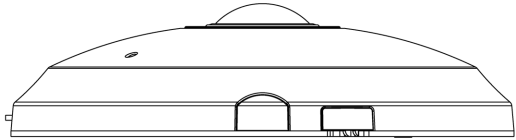
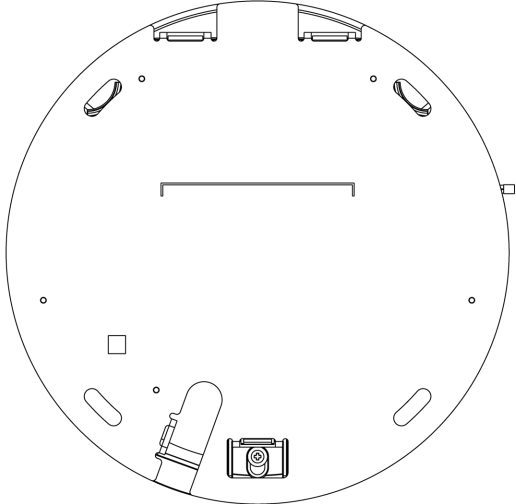
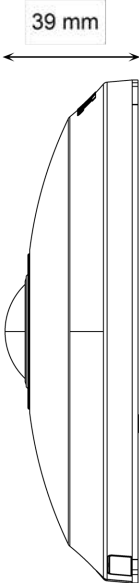
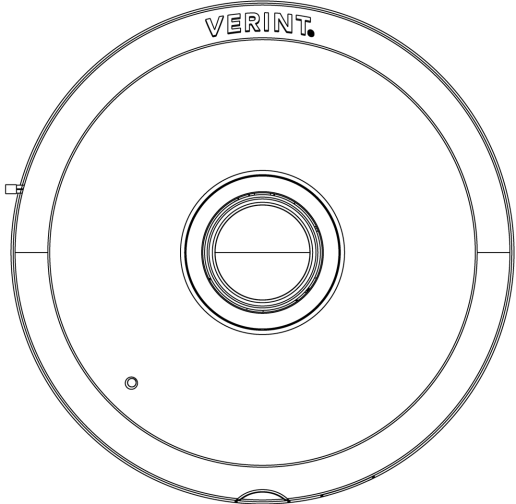
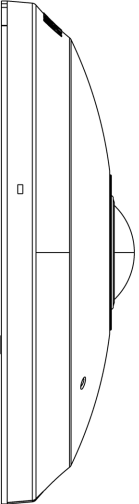
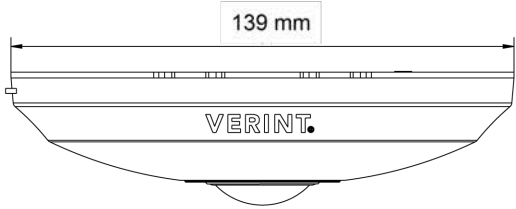
V4750BX-DN



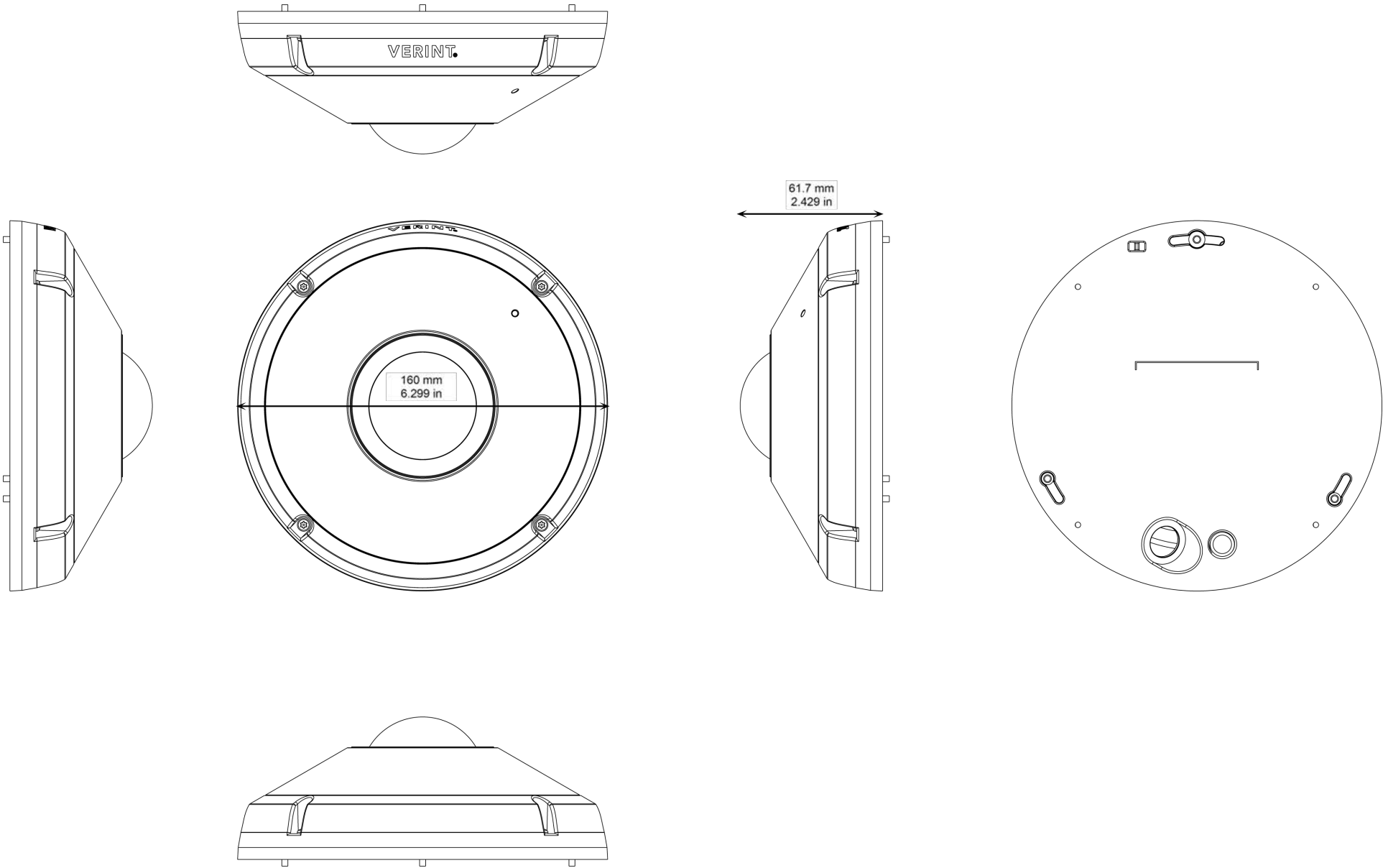
V4750FDW-DN



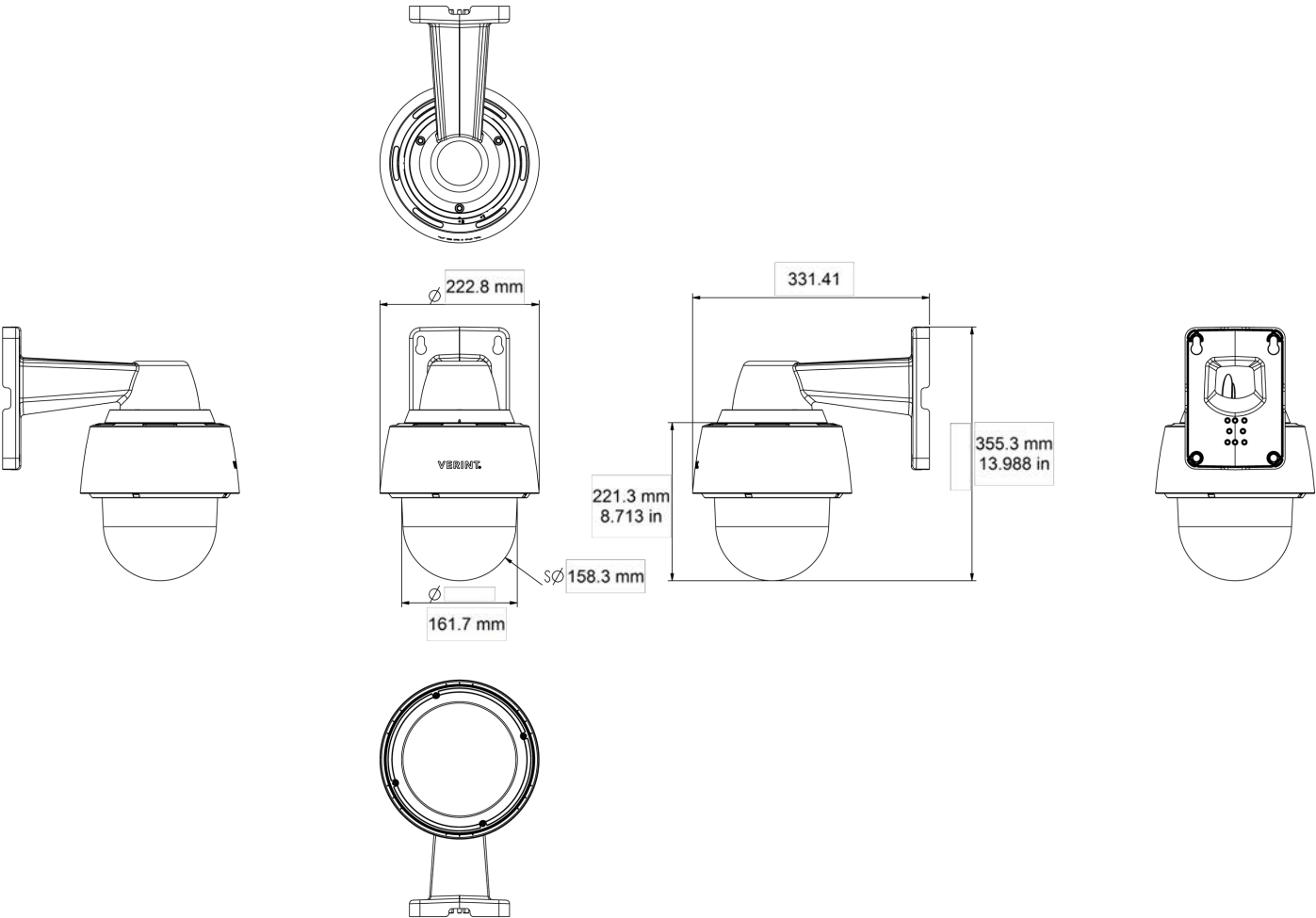
V7120FD-DN 360°



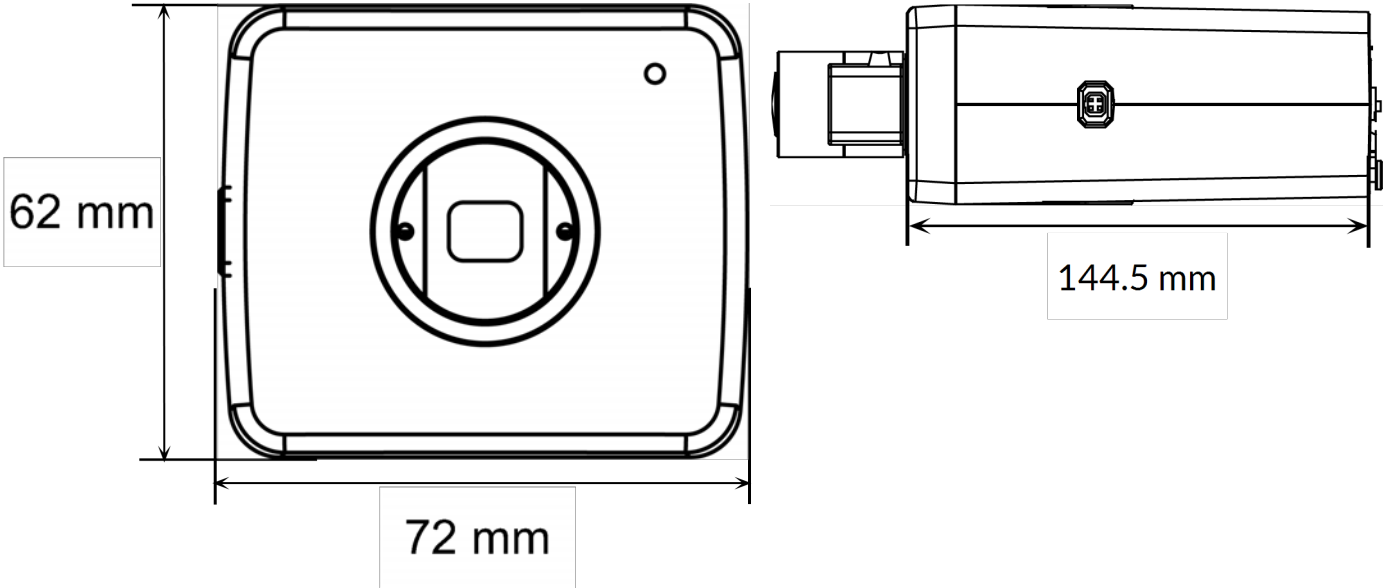
V7120FDW-DN 360°



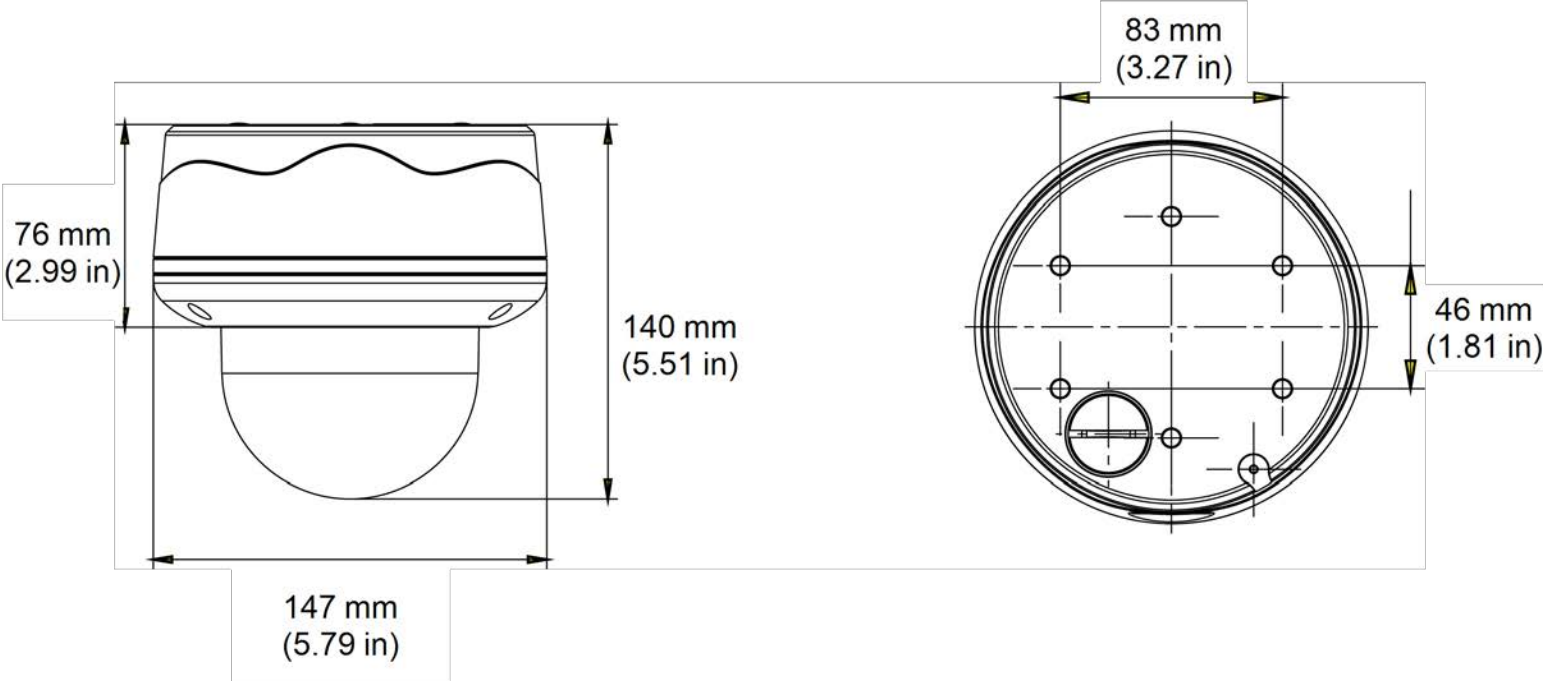
V7620PTZ



V8080BX-DN

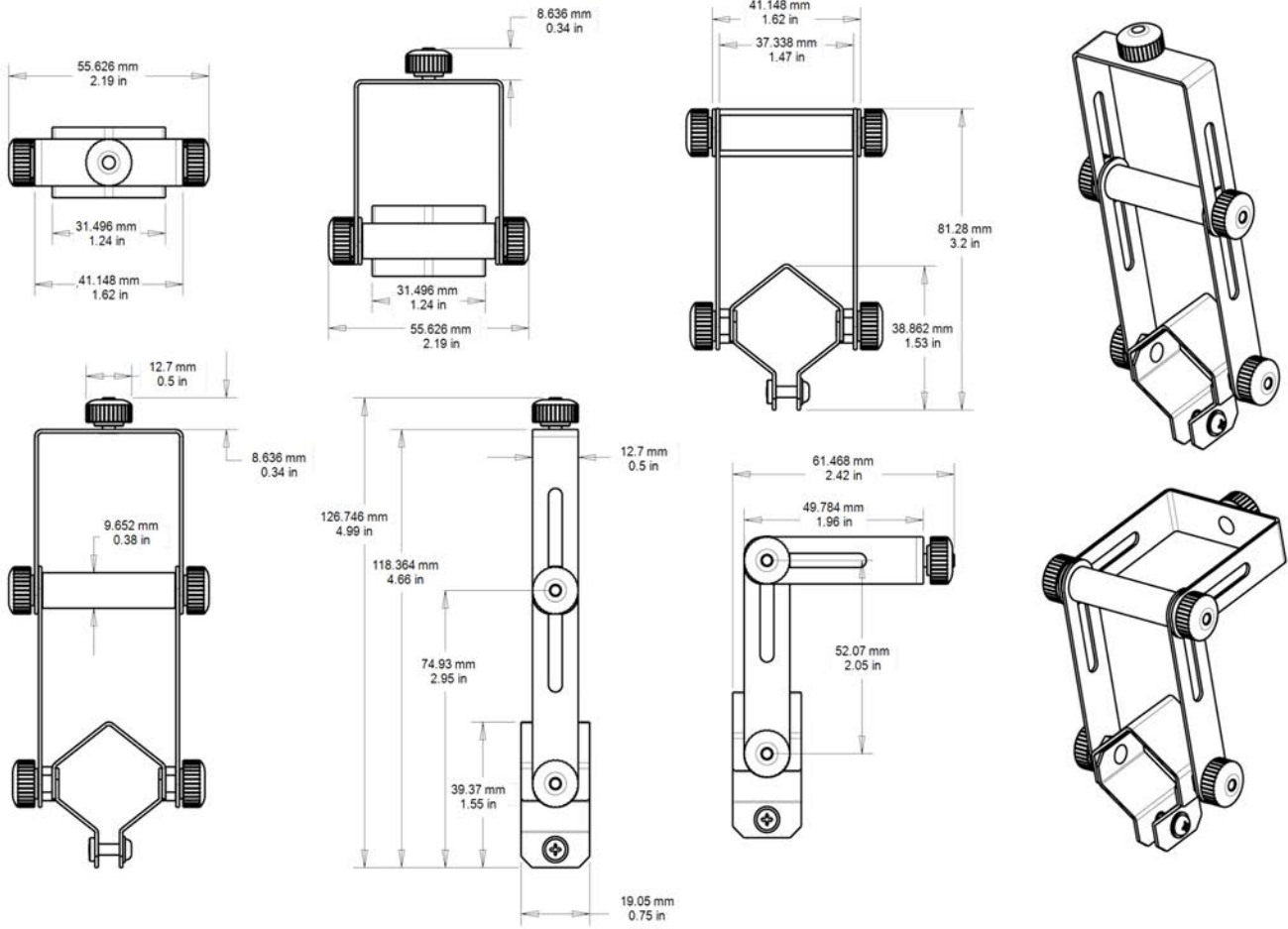


V8080FDW-DN



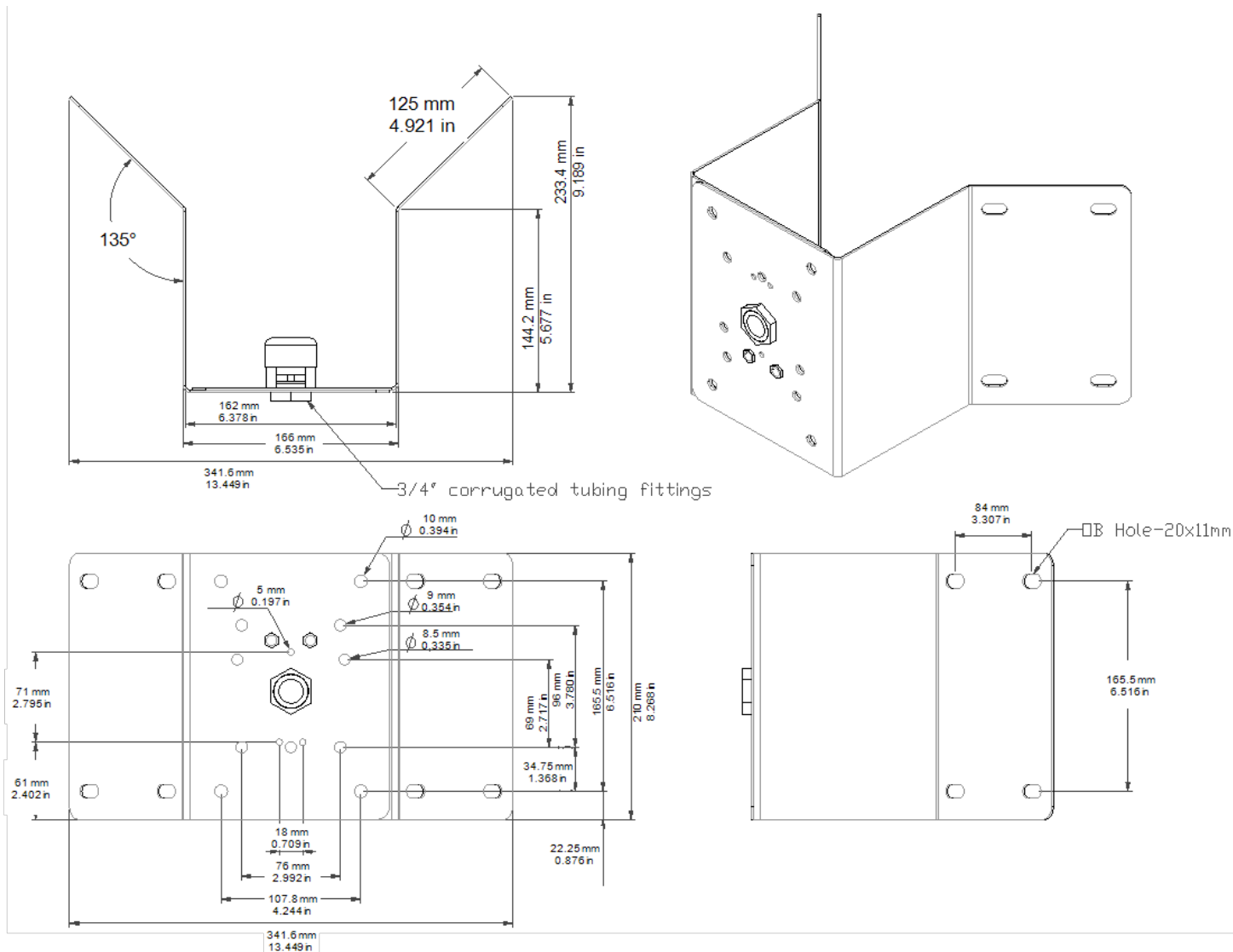
Accessories Drawings

ATM-M-4420 Bracket

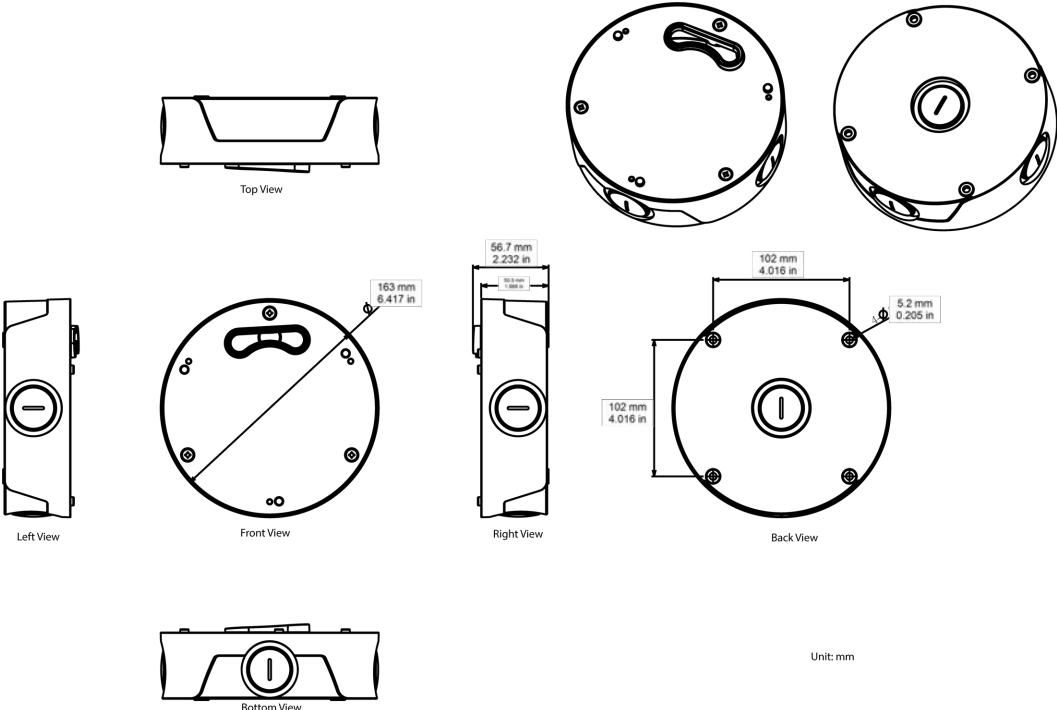


CM-001 - Corner mount kit

Compatible with [WM-001 - Wall Mount Kit](#).



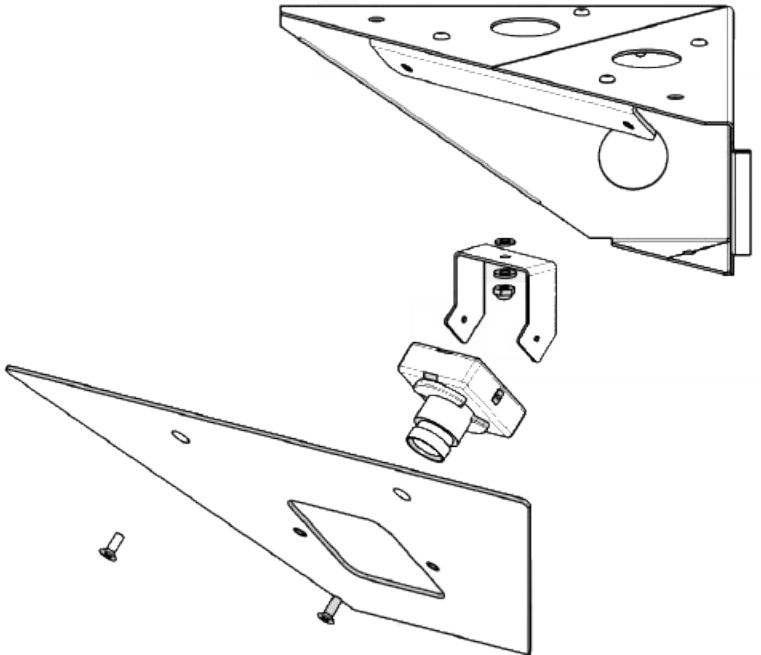
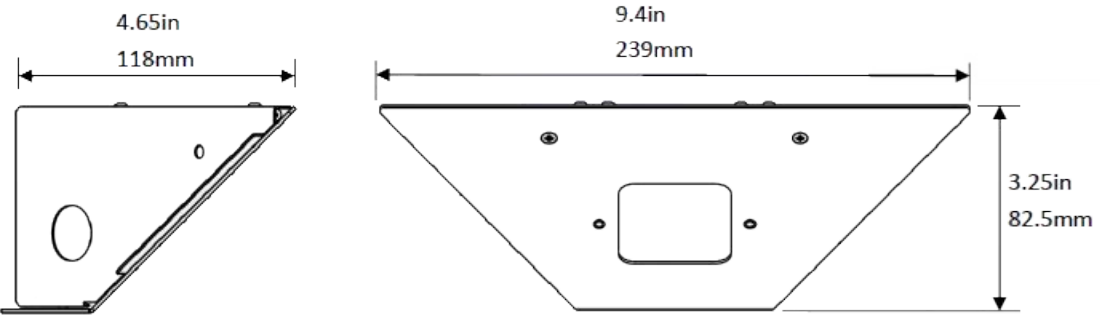
CND-4530FDW Junction Box



CNR-4420-P Corner Mount

Available in two models:

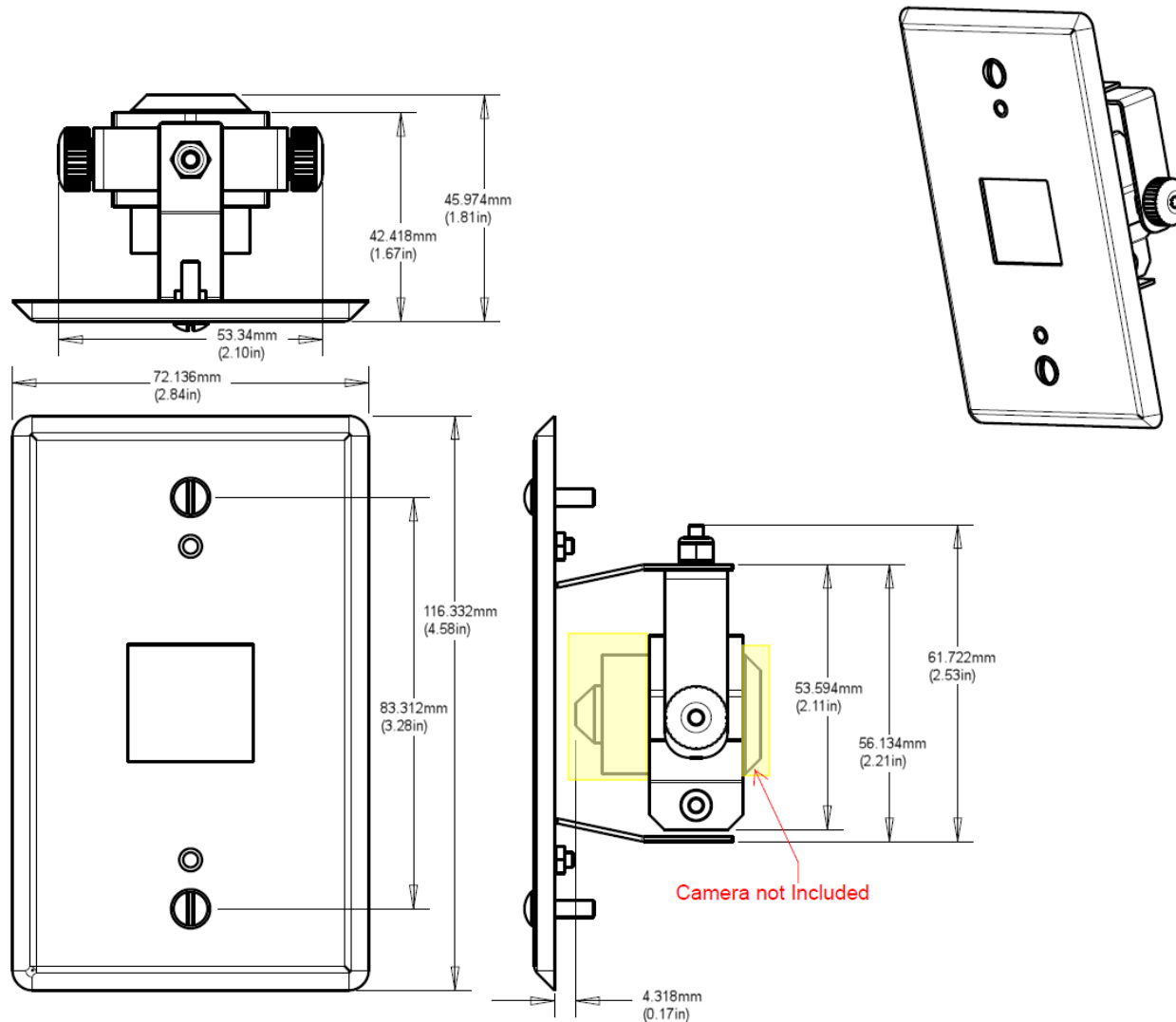
- CNR-4420-P-B (Black)
- CNR-4420-P-W (White)



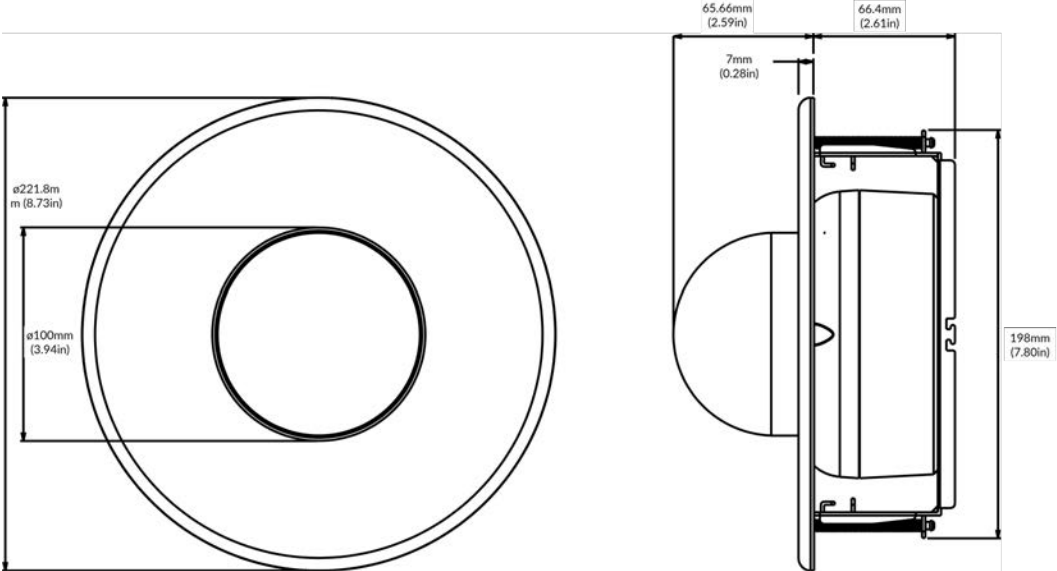
GNGBX-4420-P Gangbox Internal Camera Cover Plate

Available in two models:

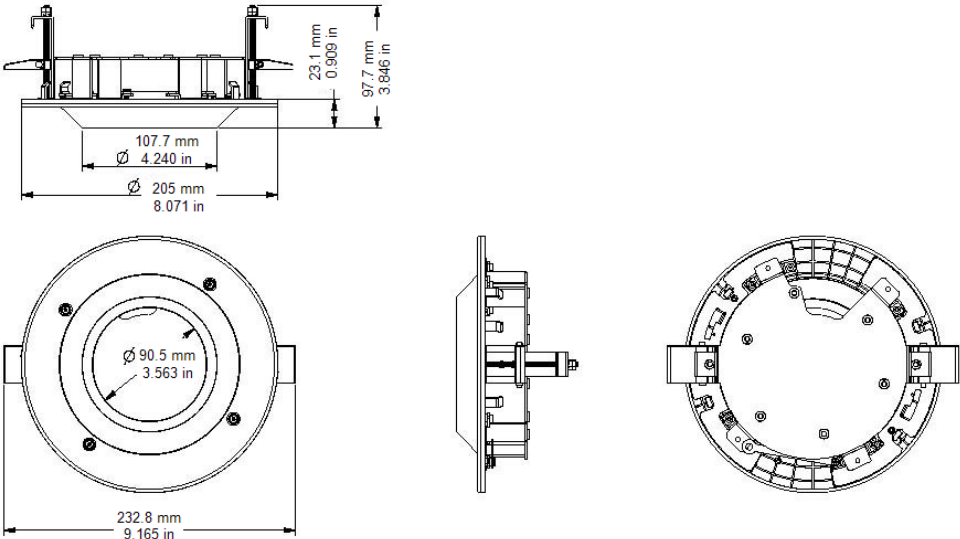
- GNGBX-4420-P-S (Silver/Gray)
- GNGBX-4420-P-W (White)



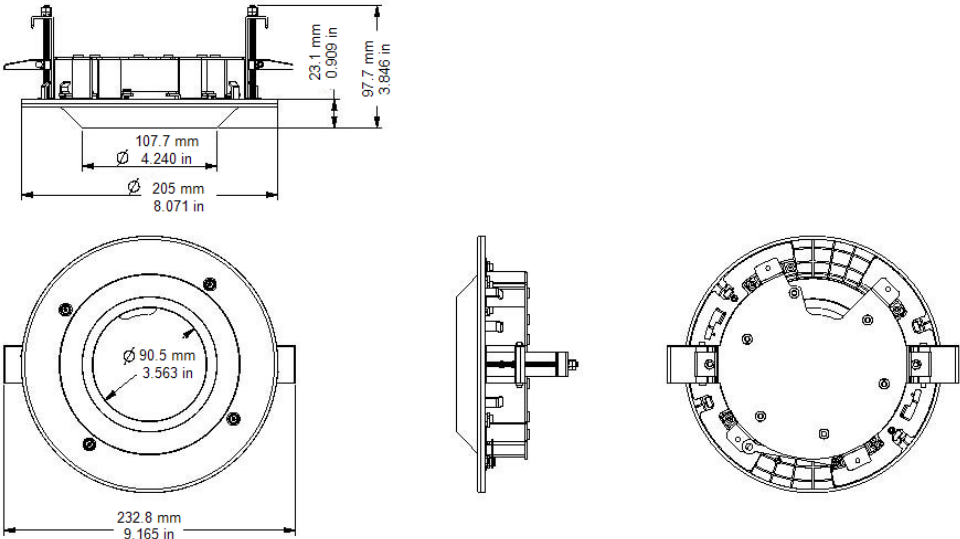
IC-004 Recess Mount Kit



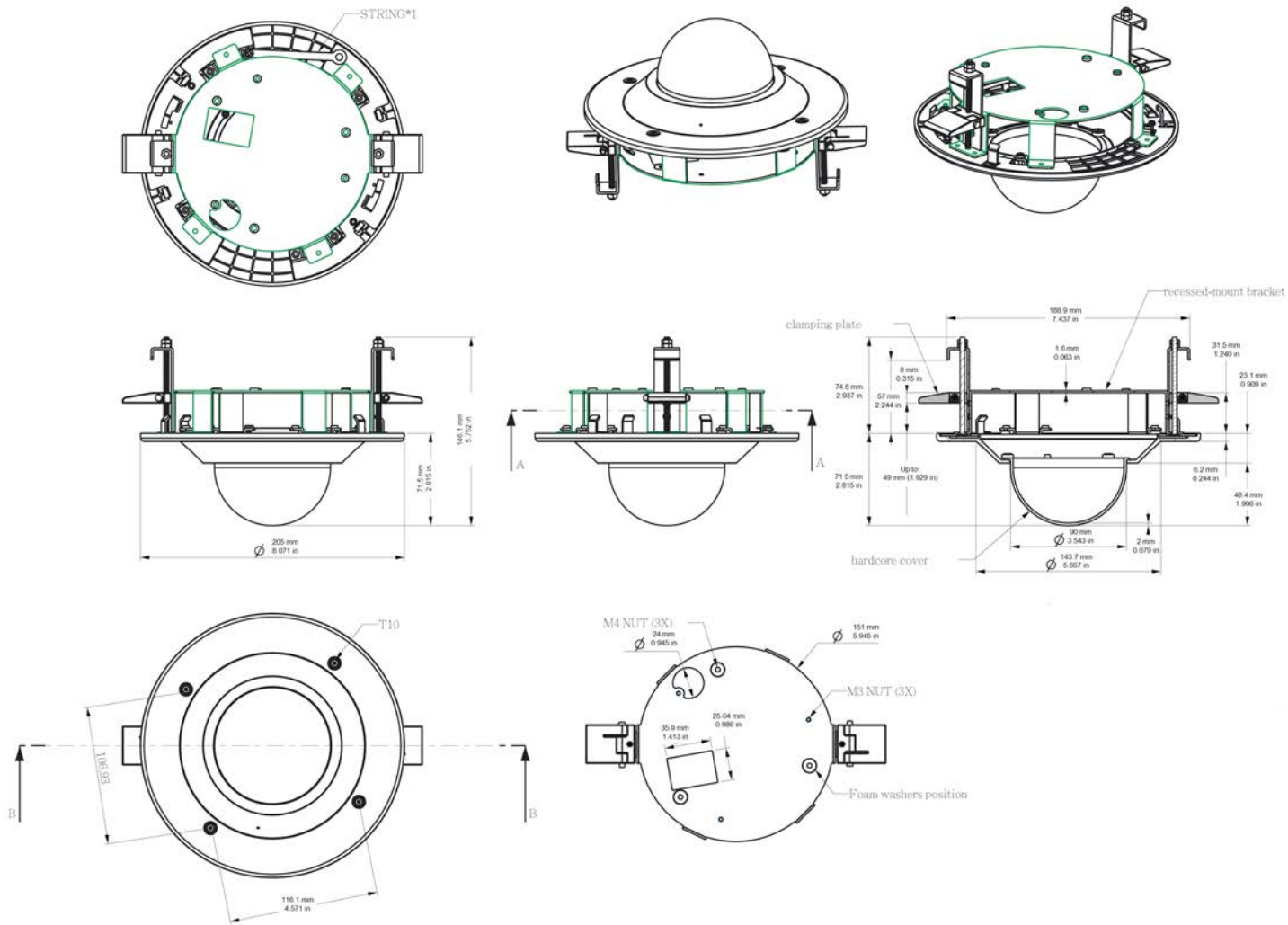
IC-V3520FD/FDW Recess Mount Kit



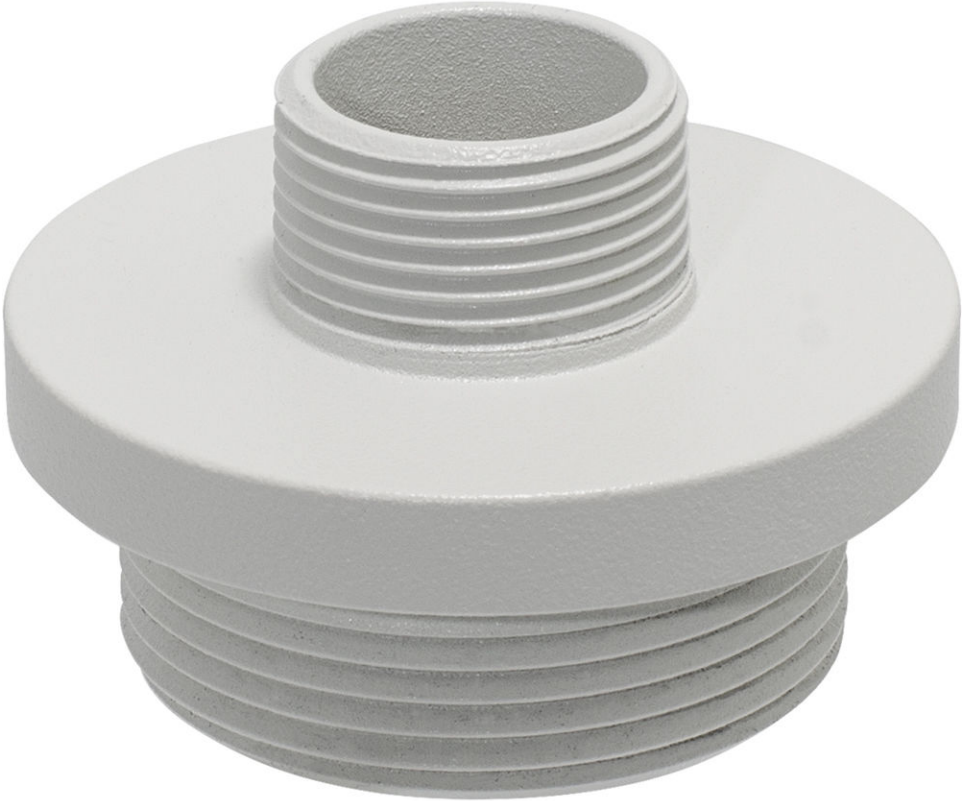
IC-V3720FDW Recess Mount Kit



IC-V4530FD Recess Mount Kit

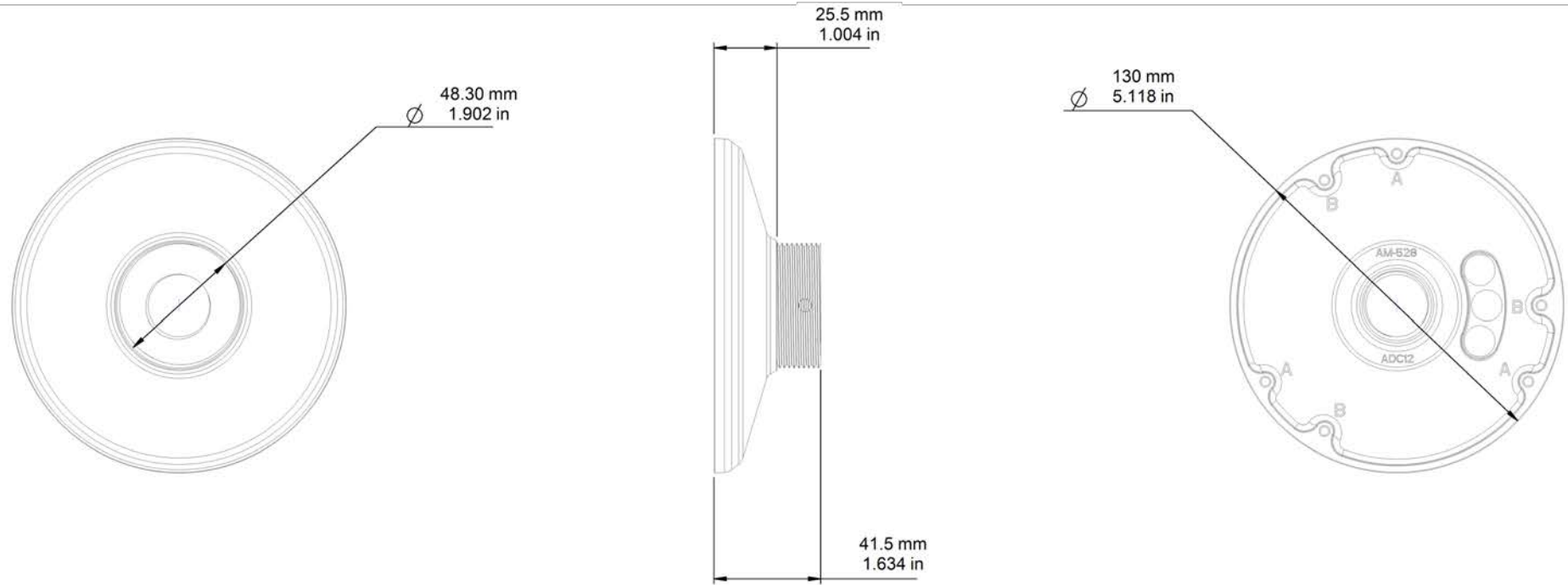


NPT-PS11 ADP Adapter

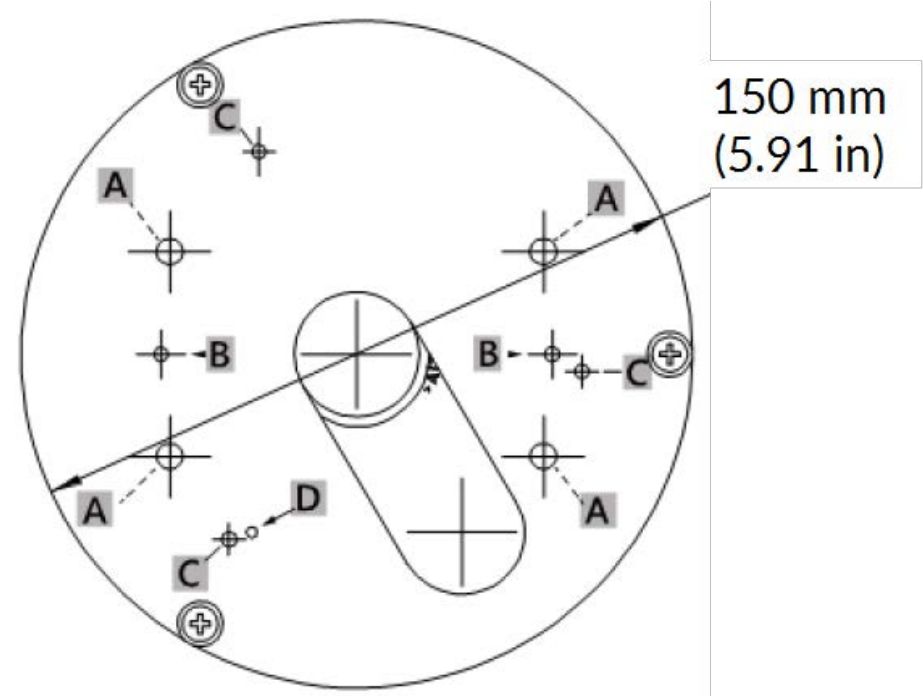
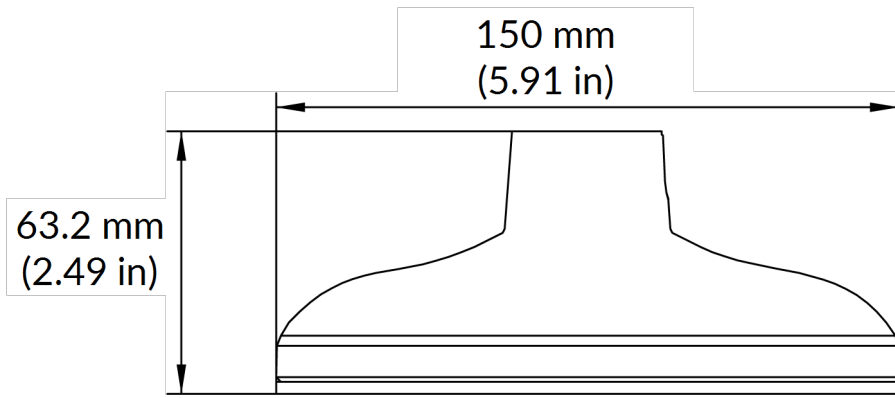


PC-5-001 - Pendant Cap

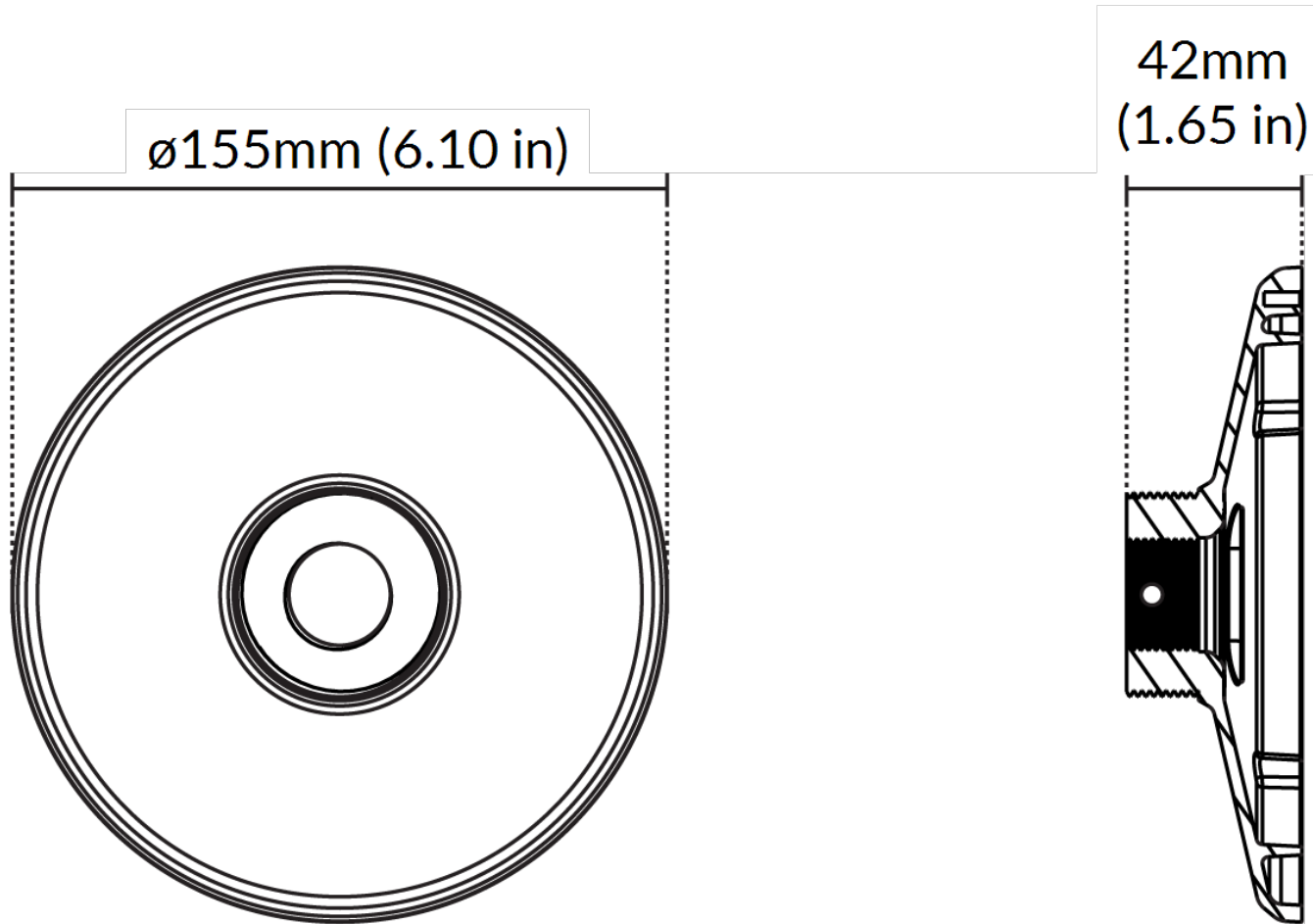
3/4" NPT Female Connector & 1.5" PS11 Male Connector



PC-6-001 - Pendant Cap

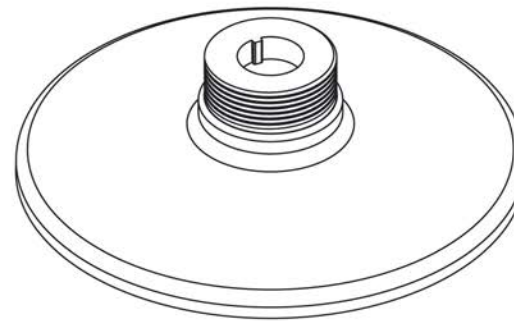
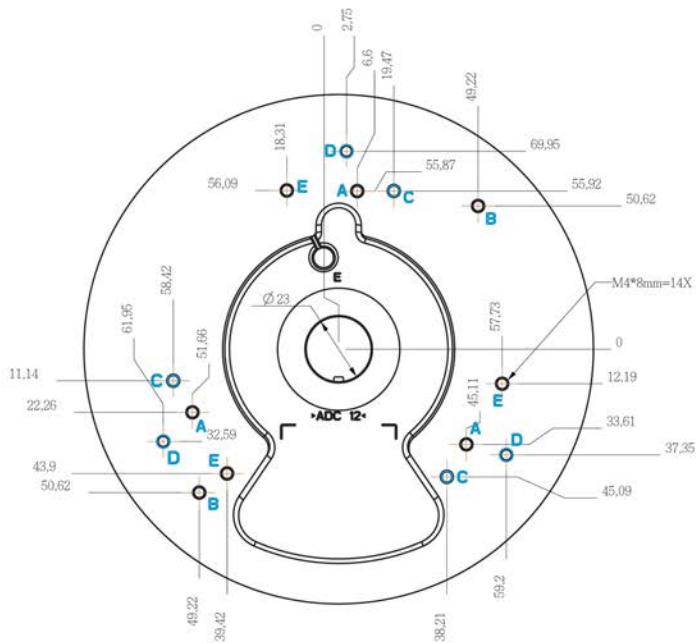
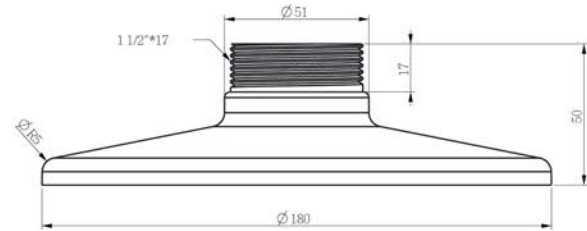


PC-6-002 - Pendant Cap



PC-7-001 - Pendant Cap

1.5" PS11 Male Connector



Mounting holes:

A: V3520FD

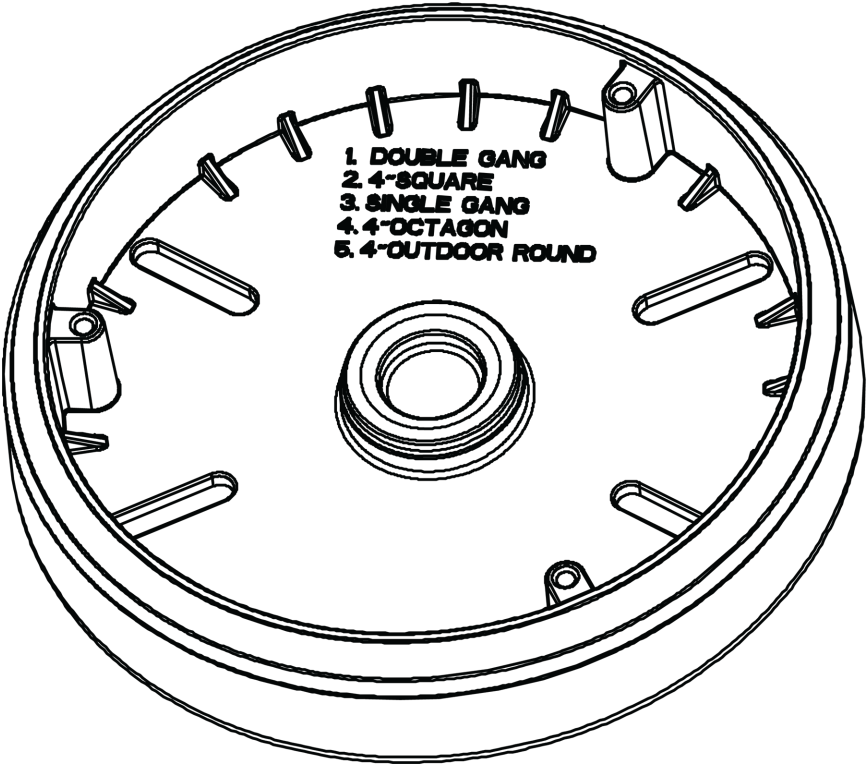
B: V6050FD/FDW and 7120FDW

C: V4530FD

D: V4530FDW

E: V3520FDW

PC-CVI-FDW - Pendant Cap

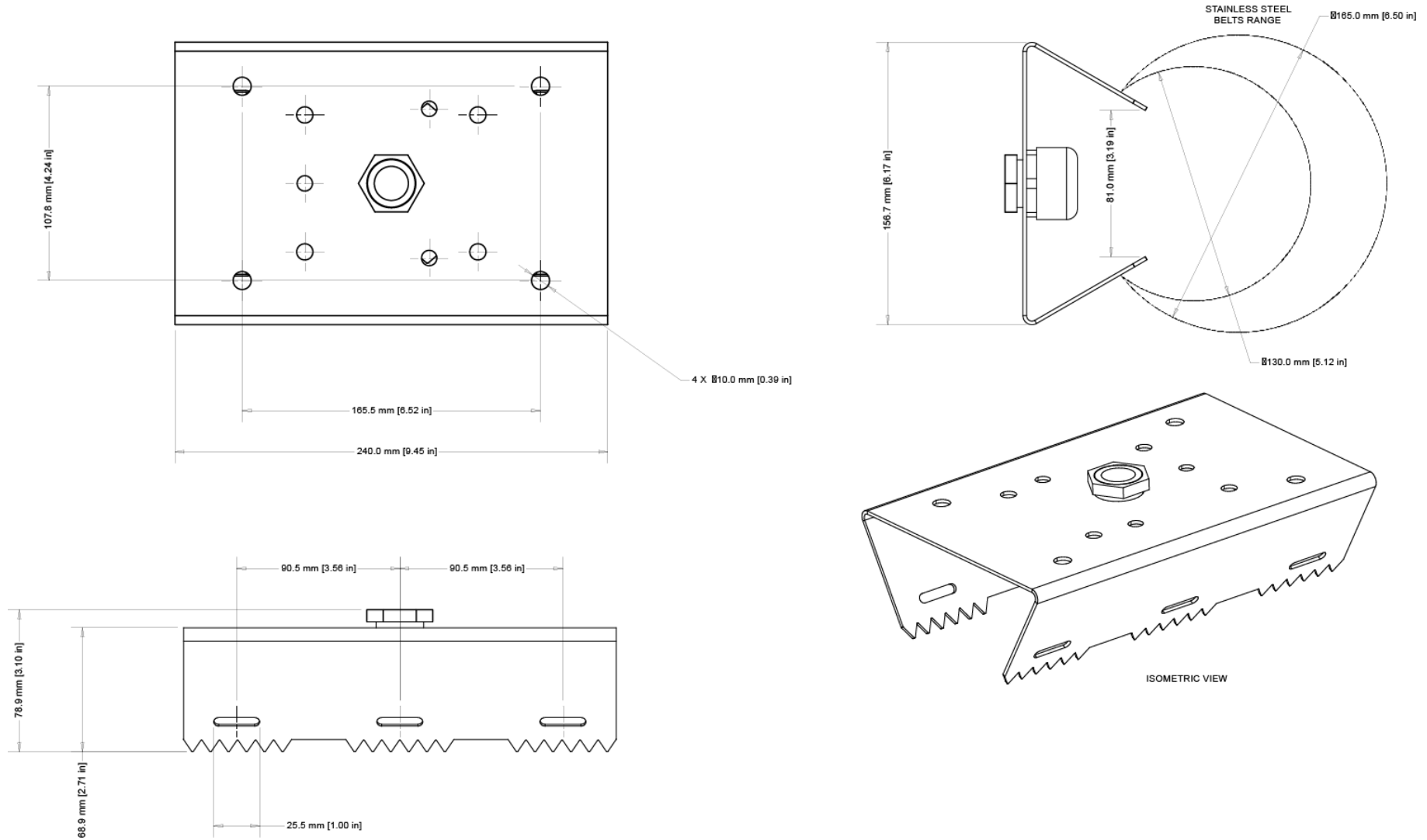


PC-V7620PTZ - Pendant Cap



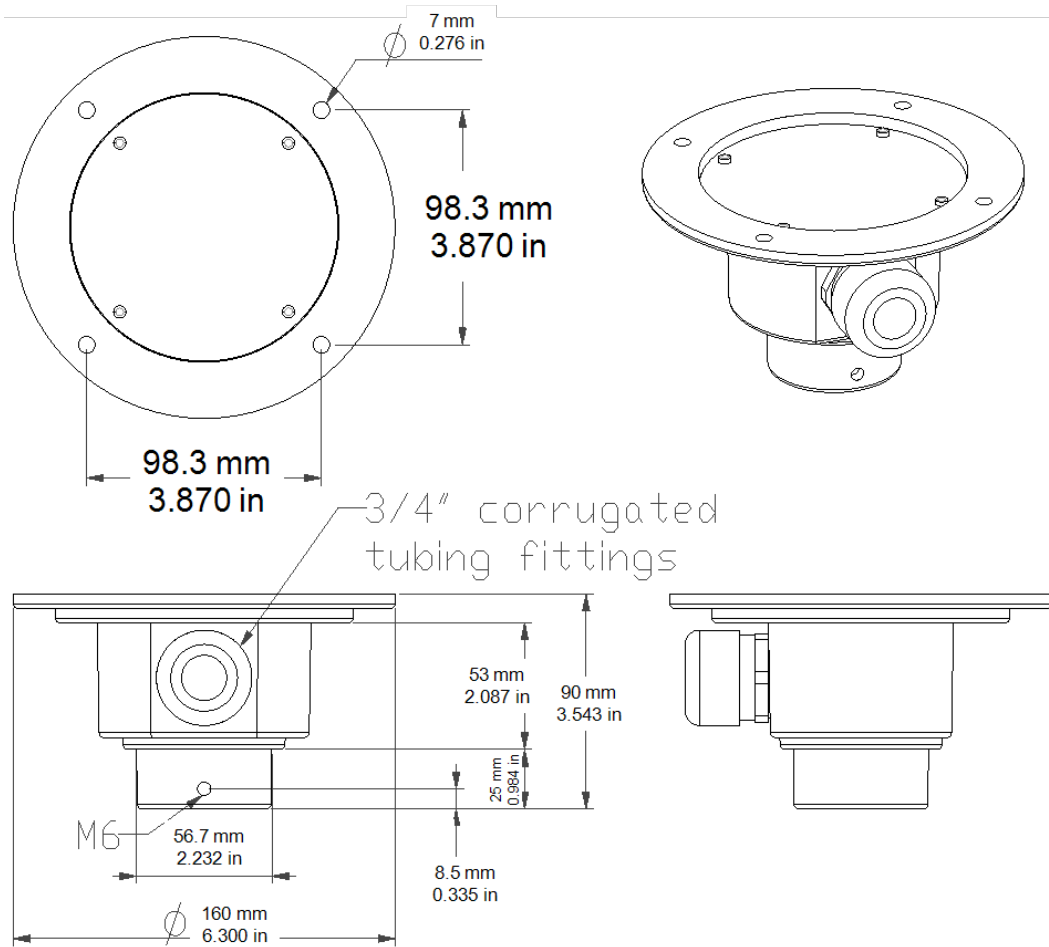
PL-V35-V45-FD/FDW - Pole Mount

Compatible with WM-V35-V45-FD/FDW.



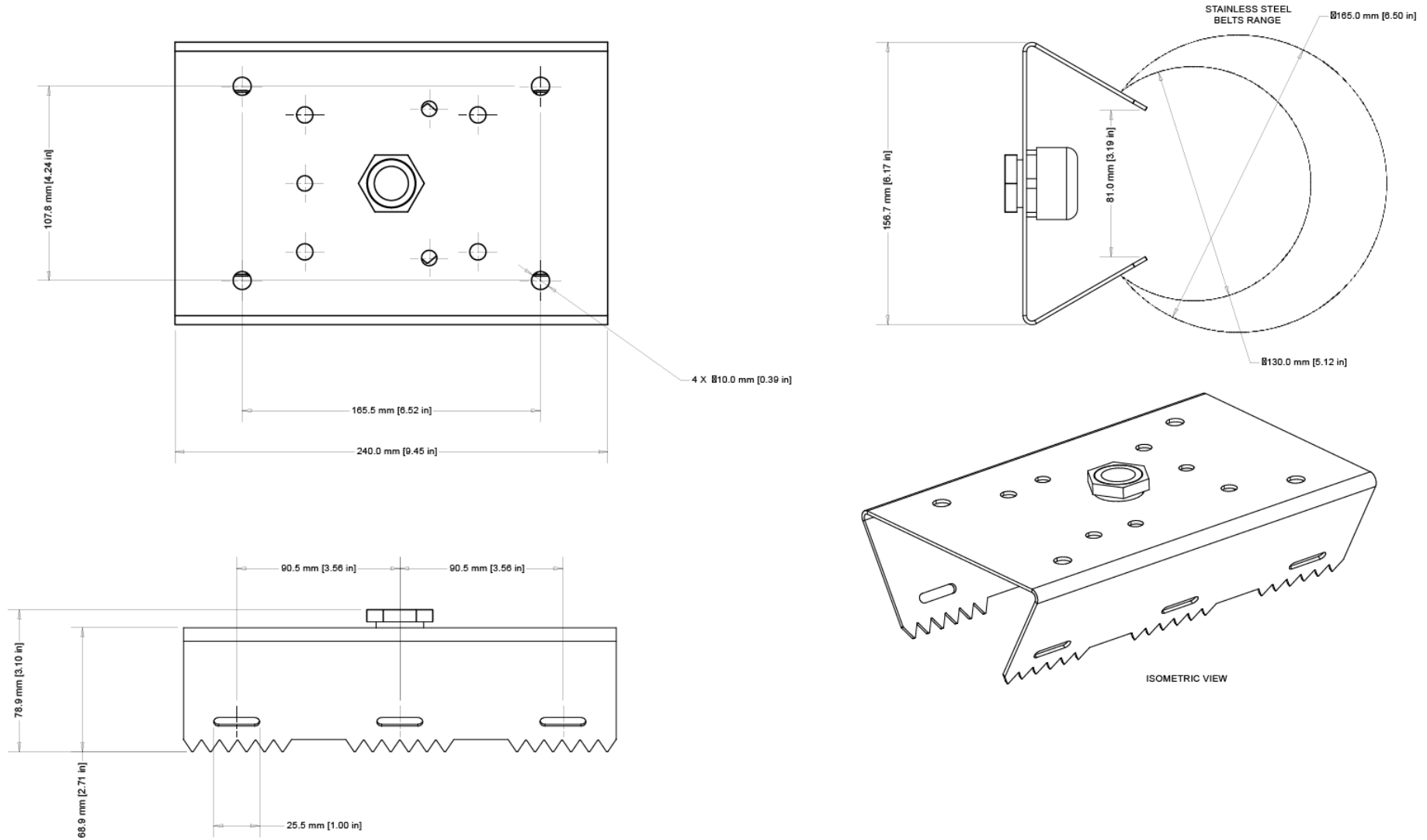
PM-002 - Pendant Head kit

Compatible with [PP-001 - Pipe Kit](#) or any 1.5" PS11 male threaded pipe



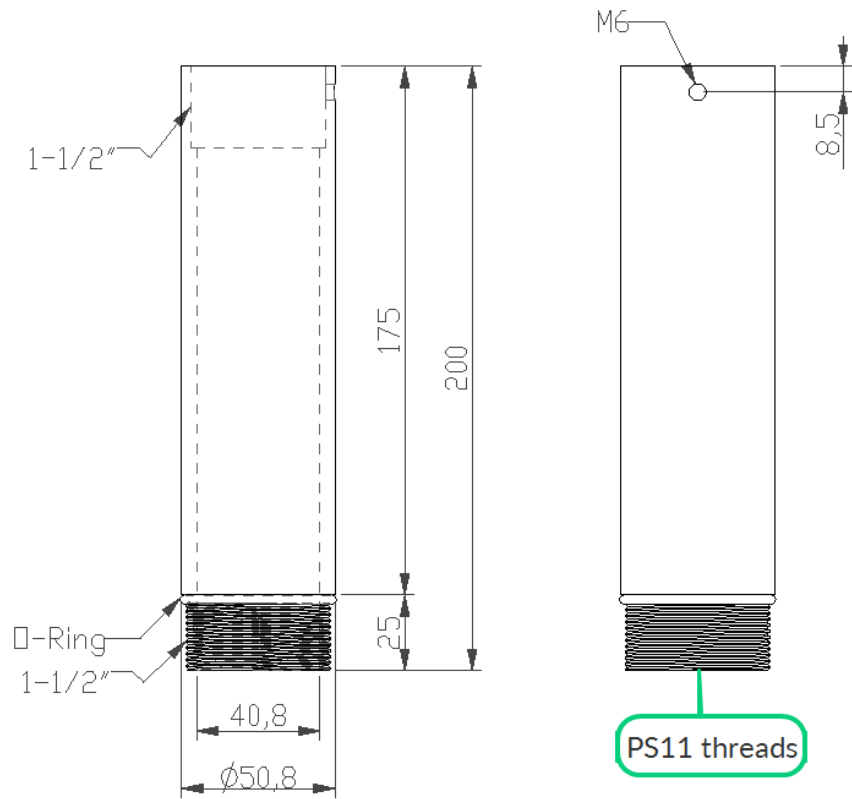
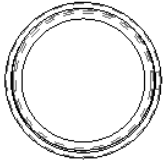
PO-001 - Pole Mount

Compatible with WM-V6050FDW.

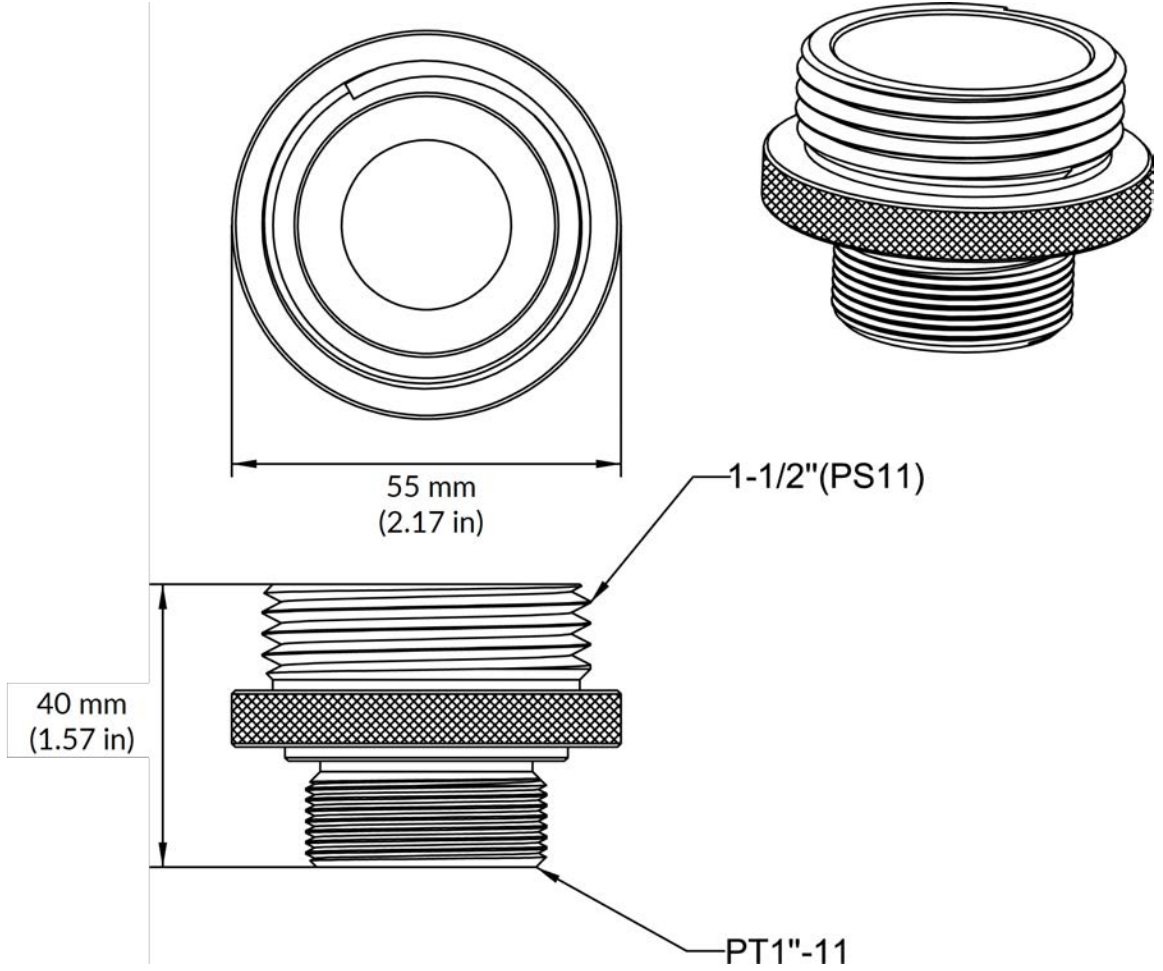


PP-001 - Pipe Kit

Compatible with PM-V6050FDW - Pendant Head kit



PS11-PS11-ADP - Adapter Ring

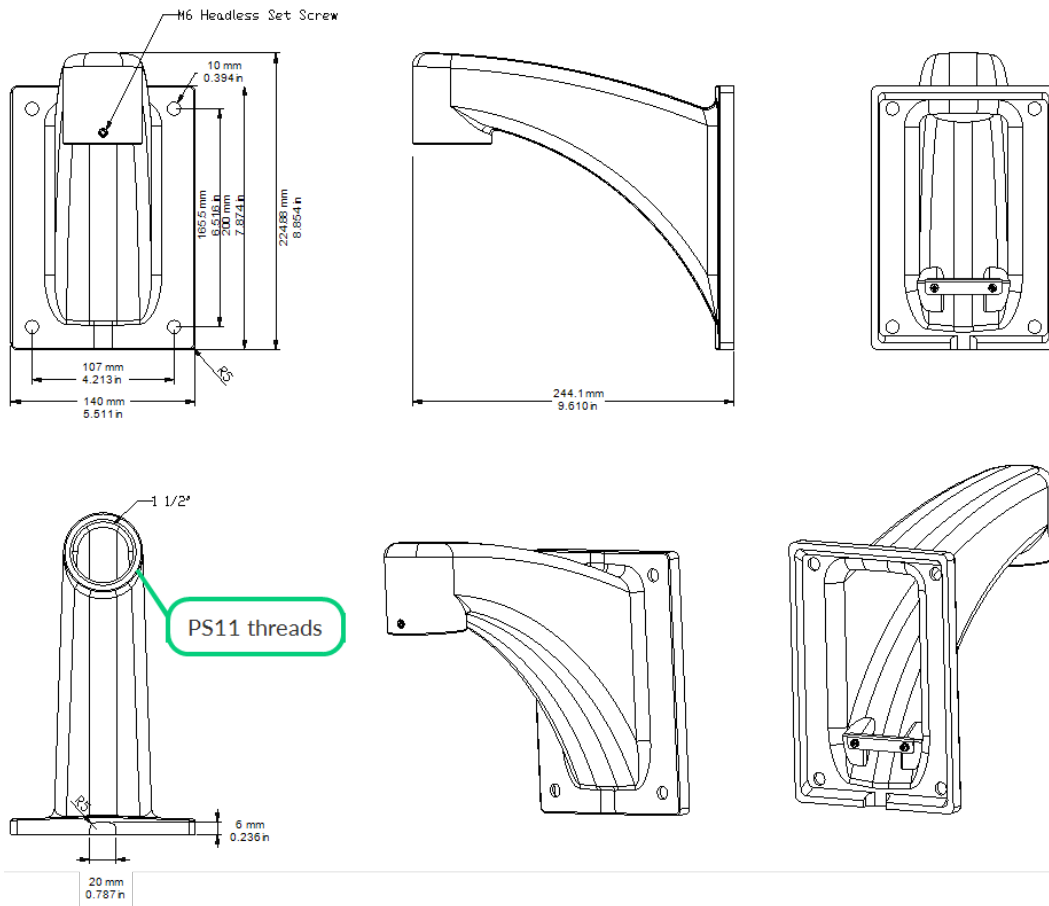


STAN-M-4420 Bracket

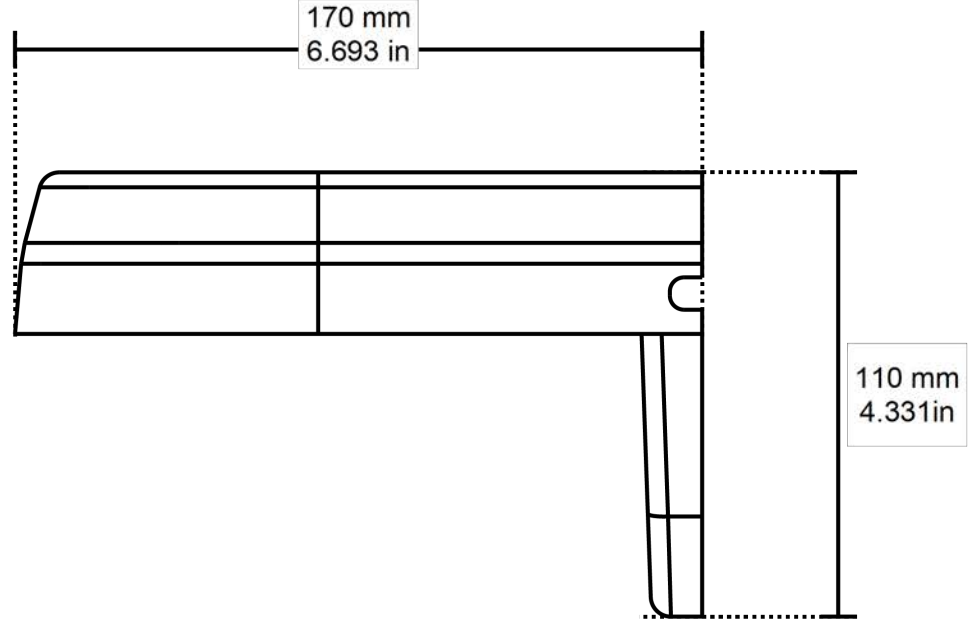
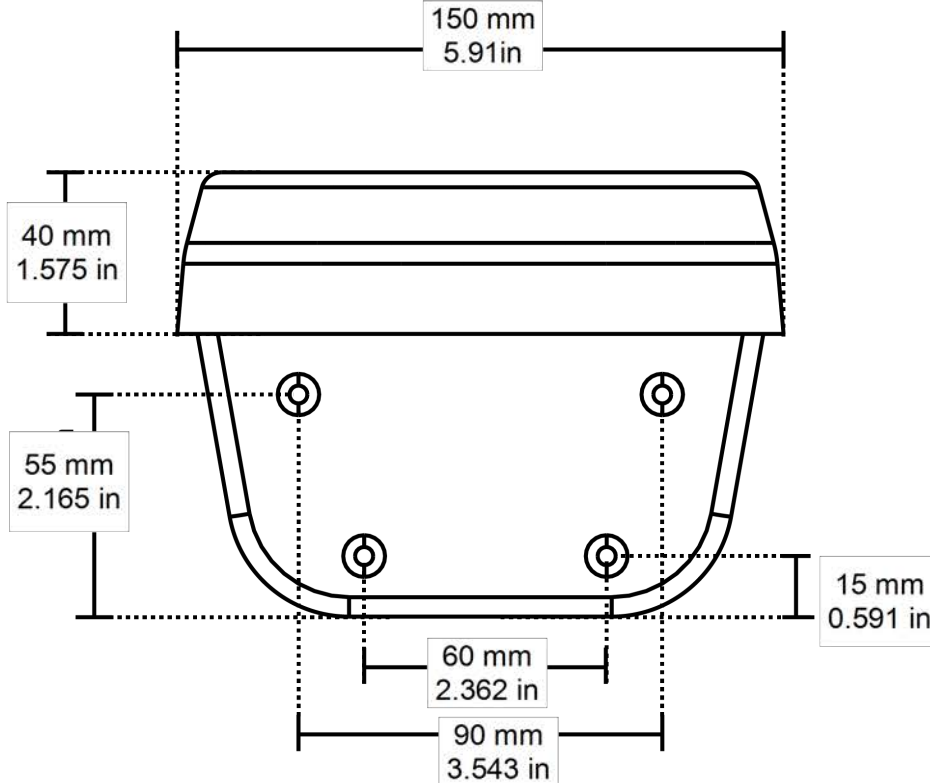


WM-001 - Wall Mount Kit

Compatible with [PO-001 - Pole Mount](#) and [CM-001 - Corner mount kit](#) mounts.



WM-002 - L-shape Bracket



VPOE-2

For V3320BX, V4320BX, S5120BX-DN and S5250BX-DN cameras.

