



Package
Passer

SLCD-MAN
Drawer

Hamilton Walk-Up Drawers and Package Pass-Thru

Fast, efficient transfer of items
with maximum security.



est. 1967

HAMILTON
CUSTOM MADE SECURITY

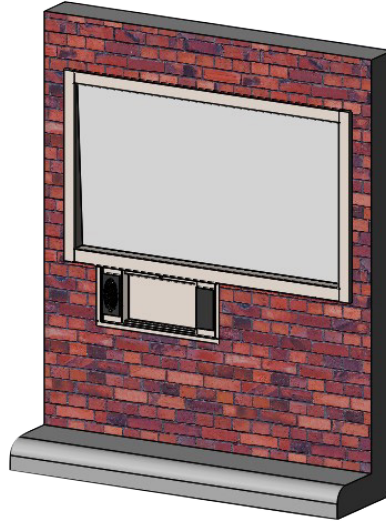
A **GUNNEBO** COMPANY

SLCD-MAN & Package Pass-Thru

SLCD-MAN to pass small items between the customer and your employee. Built with rugged, highperformance stainless steel exterior for maximum security. Perfect for prescription containers and other small items.



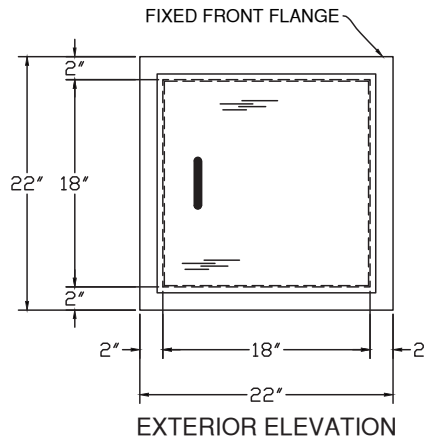
SLCD-MAN



Hamilton's package pass-thru are designed to allow customers to securely pass items through a wall.



PRS-2 PACKAGE PASS-THRU UNIT



INNOVATIVE DESIGN BENEFITS

SLCD-MAN TRANSACTION DRAWER:

- DRAWER SIZE 6" H X 7" D X 15" W
- STAINLESS STEEL EXTERIOR FINISH
- ROTATING ARM EXTENDS DRAWER OUTWARD AND INWARDS
- AESTHETICALLY PLEASING
- BULLET RESISTANT

PACKAGE PASS-THRU UNITS:

- PRS-1 OPENING IS 12" x 12"; PRS-2 IS 18" x 18"
- STAINLESS STEEL EXTERIOR AND PAINTED INTERIOR
- SECURITY LOCKING DOORS SYSTEMS PREVENTS BOTH DOORS BEING OPENED SIMULTANEOUSLY
- CUSTOM SIZE UNITS AVAILABLE CONSULT FACTORY FOR DETAILS

FEATURES

SLCD-MAN TRANSACTION DRAWER:

- RELIABLE: CYCLED OVER ONE MILLION TIMES
- SECURE: LOCKABLE FOR AFTER HOURS
- BALLISTIC RATING: UL FOR LEVEL 3
- REACH: DRAWER EXTENSION ADJUSTABLE 7" TO 13 1/2"
- FINISH: STAINLESS STEEL AND BLACK LEATHERETTE
- LOW MAINTENANCE: SIMPLE MANUAL OPERATION
- ERGONOMIC: EASY AND COMFORTABLE TO OPERATE
- ENVIRONMENTAL: INNER DOOR SEALS AS OUTER DOOR OPEN
- OPTIONS: HEATER, VEHICLE DETECTION, PLUG & PLAY AUDIO, AND VIDEO

PACKAGE PASS-THRU UNITS:

- BUILT WITH MAXIMUM SECURITY
- EASY TO TRANSFER LARGE, BULKY ITEMS
- INCREASES SAFETY FOR CUSTOMERS AND STAFF DURING TRANSFER
- LITTLE OR NO MAINTENANCE REQUIRED

est. 1967

HAMILTON
CUSTOM MADE SECURITY

A GUNNERS COMPANY



1030 Round Bottom Road | Milford, OH 45150 | 513.874.3733

hamiltonsecuritysolutions.com

Form 513 Rev. 08-22