



MAXIMIZE SERVICE AND EFFICIENCY

Pharmacy Drawer and Window

The Hamilton Pharmacy Drawer & Window is designed specifically to optimize operations with maximal use of space inside the pharmacy, capacity to fit the majority of large prescription containers, ease of servicing and customer convenience while ensuring maximum security. The drawer and window are designed to be used together, but can also be installed separately to replace existing equipment in both drive-thru and walk-up applications.

WINDOW FEATURES



Standard sizes are 3'x3', specifically designed to suit the width of the Hamilton Pharmacy Window & Drawer, as well as a wider 3'x5', but also available in custom sizes



Constructed using rugged stainless steel frames with a standard bullet resistive and UL Level 1 rated glass with an option to upgrade to Level 2 or 3



Weather resistant and sealed to protect from the elements



DRAWER FEATURES



Exterior size: 11.1" x 28.1" x 30.625"



Drawer Size: 6" x 9.5" x 13"



Stainless steel exterior finish, interior available in stainless steel, color matched steel or laminated wood to match the interior of the pharmacy



Manual ADA compliant design provides easy to use operation through pushing or pulling lever straight forward



The drawer extends on a rotating arm which gets rotated back if hit by a car, virtually eliminating the risk of replacing drawers that have been knocked out of alignment



Drawer can be serviced without removing entire unit from inside or outside the facility



Drawer extension adjusts to various curb widths and car placements by stopping wherever needed and still present the opening directly to the customer



Sealed to outside air entering the building even when the drawer is extended to the customer

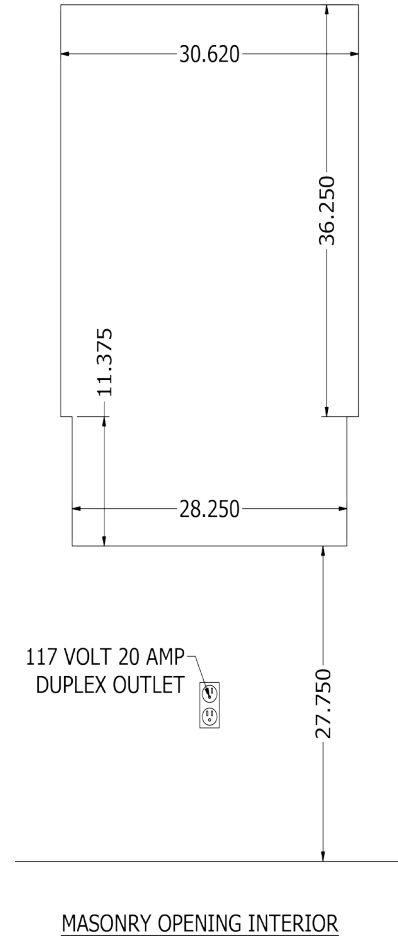
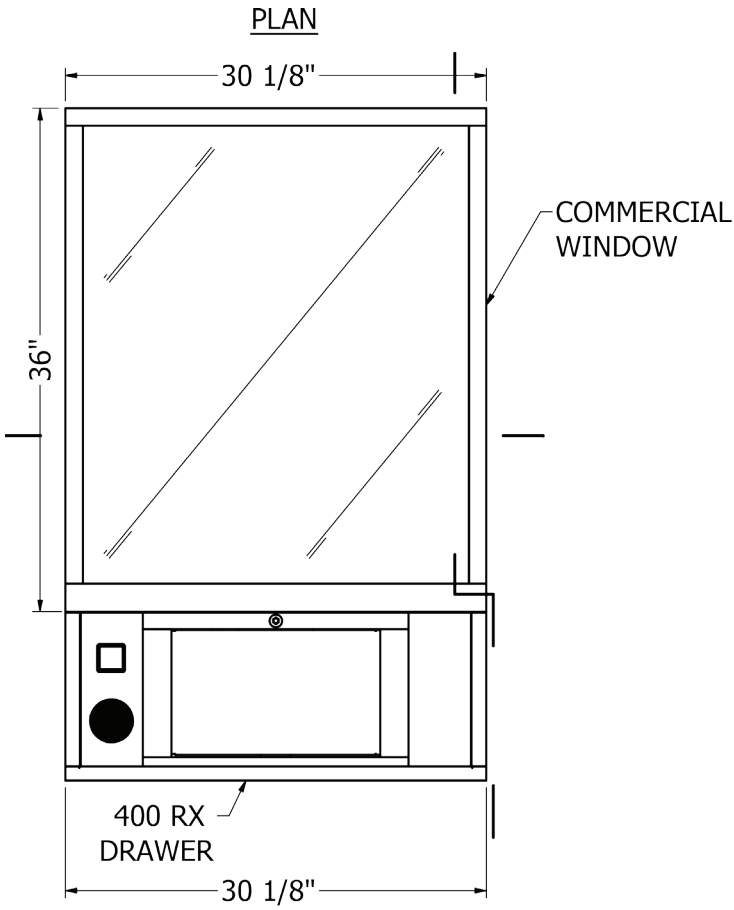


Complies with HIPAA requirements

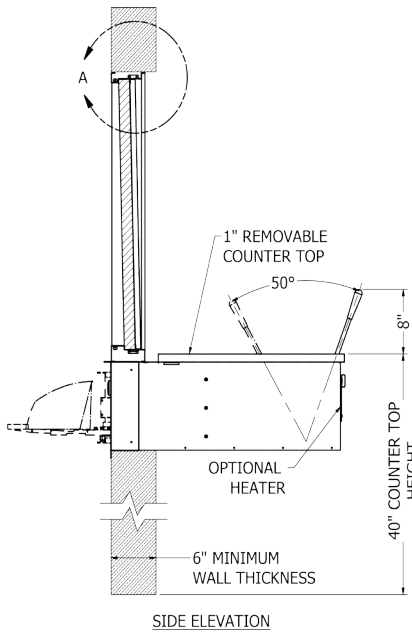
7775 Cooper Road
Cincinnati, OH 45242

est. 1967
HAMILTON
CUSTOM MADE SECURITY

513-874-3733
www.hamiltonsecuritysolutions.com



FRONT ELEVATION



7775 Cooper Road
Cincinnati, OH 45242

est. 1967
HAMILTON
CUSTOM MADE SECURITY

513-874-3733
www.hamiltonsecuritysolutions.com