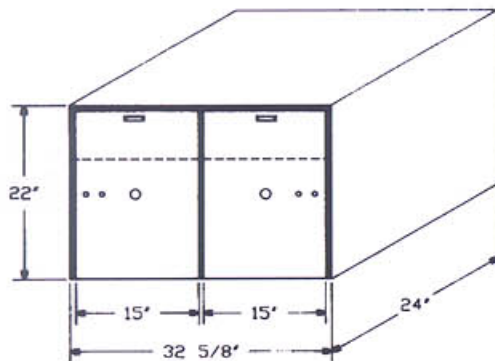


Stainless Steel Modular Lockers

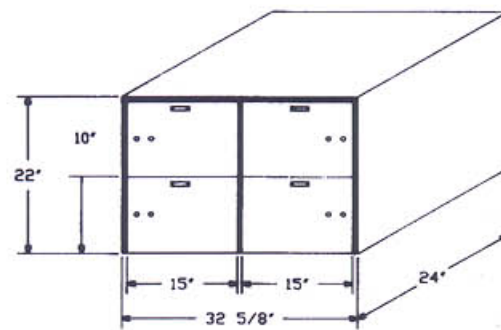
Standard Equipment for Models SSL22-2 and SSL22-4

- UL fixed-tumbler, double-nose lock with brass finish
- Stainless steel face and painted case
- One adjustable shelf (each opening)

SSL 22-2



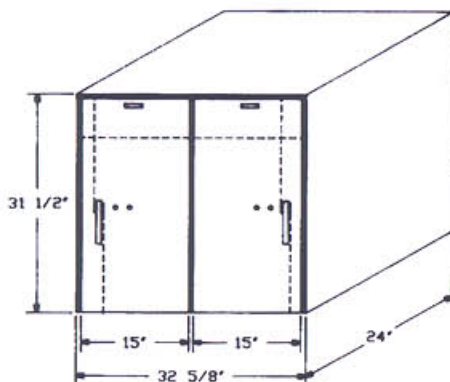
SSL 22-4



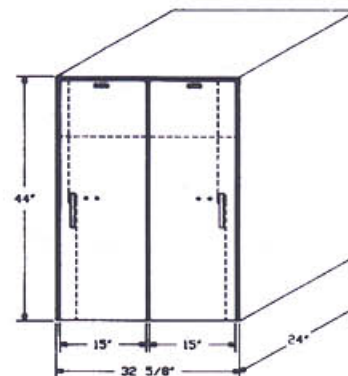
Standard Equipment for Models SSL32-2 and SSL44-2

- UL fixed-tumbler, double-nose lock with brass finish
- Stainless steel face and painted case
- One adjustable shelf (each opening)
- Boltwork

SSL 32-2



SSL 44-2

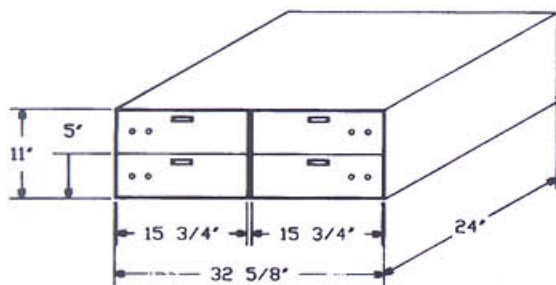


HAMILTON SAFE®

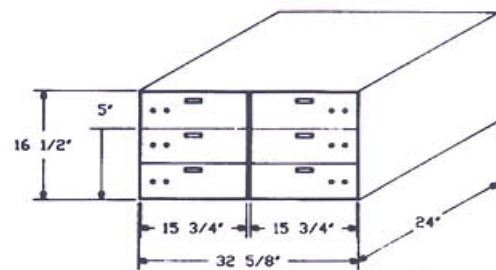
... because someone has to lead.

Stainless Steel Modular Lockers

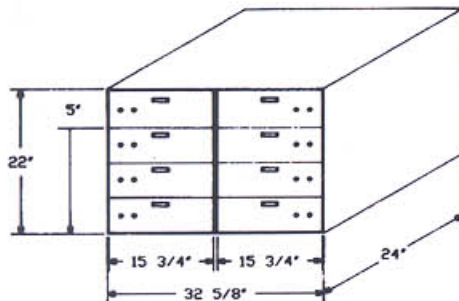
SSL 4



SSL 6



SSL 8



Specifications for Stainless Steel Modular Lockers

(Models SSL4, SSL6, SSL8, SSL22-2, SSL22-4, SSL32-2 and SSL44-2)

Casings:

Cold rolled steel with black enamel finish. Horizontal dividers and casing edges with black enamel finish.

Doors:

1/2"-thick formed steel doors with heavy-gauge stainless steel cladding over entire door face.

Hinges:

Extruded architectural bronze on SSL4, SSL6 and SSL 8. Stainless steel full height on SSL22-2, SSL22-4, SSL32-2 and SSL44-2.

Numbering:

Decorator number plate frames with black numbers on goldenrod background.

Lock:

UL Listed fixed-tumbler, double-nose lock with brass finish.

Bond box:

None.

CAT. NO. L-000