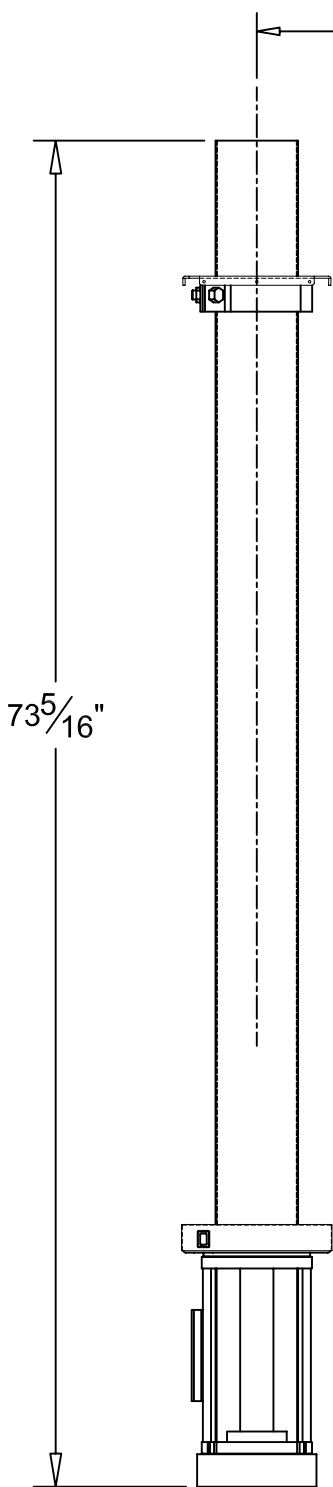
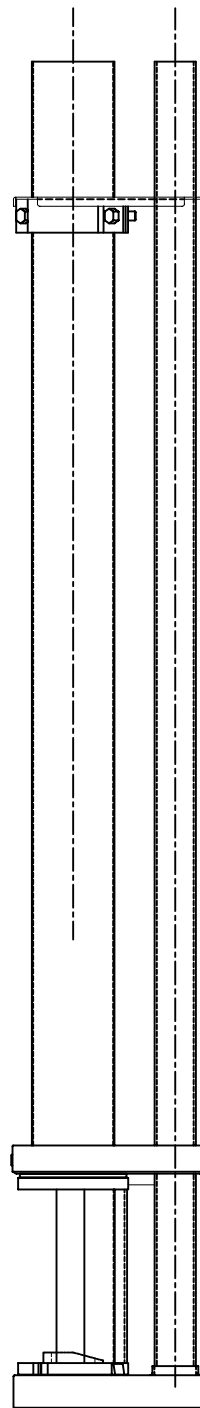


8-1/2" CENTER TO CENTER
FOR MULTIPLE UNITS

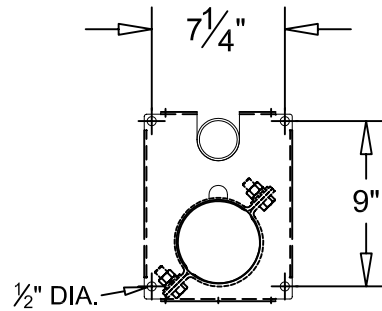


FRONT VIEW



SIDE VIEW

HANGER BRACKET



HANGER DETAIL

HAMILTON AIR

2006 OVERHEAD TELLER
WITH 15" LONGER TUBE

Drawing Number : 99-990

Date : 3/17/08