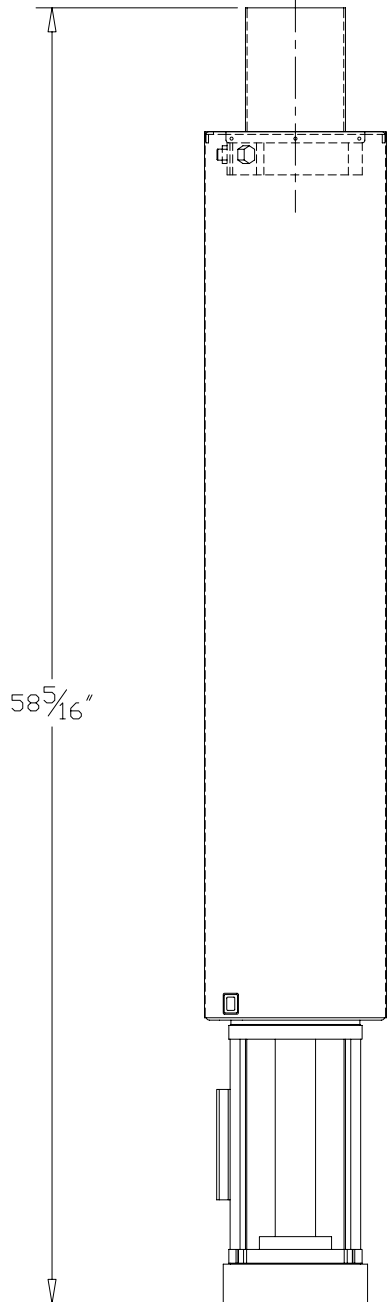
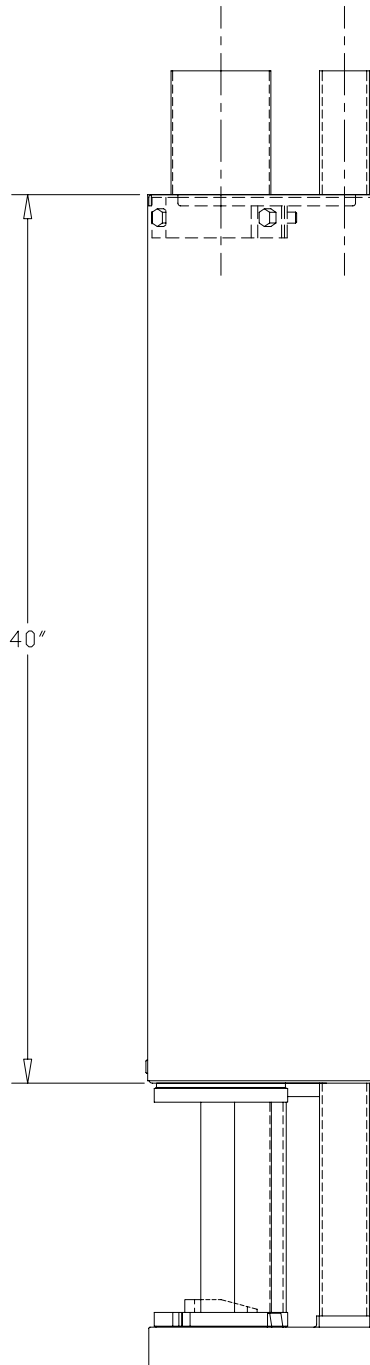


8-1/2" CENTER TO CENTER FOR MULTIPLE UNITS



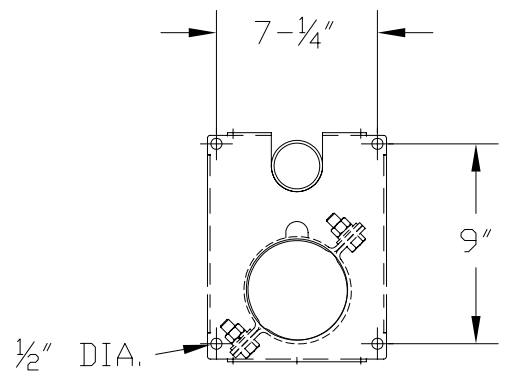
FRONT VIEW



SIDE VIEW

HANGER BRACKET

OPTIONAL: TUBE ENCLOSURE PART NO. B6669



HANGER DETAIL

HAMILTON AIR

2006 OVERHEAD TELLER  
 DETAILS with OPTIONAL  
 TUBE ENCLOSURE #B6669

Drawing Number : 99-976

Date : 6-1-06