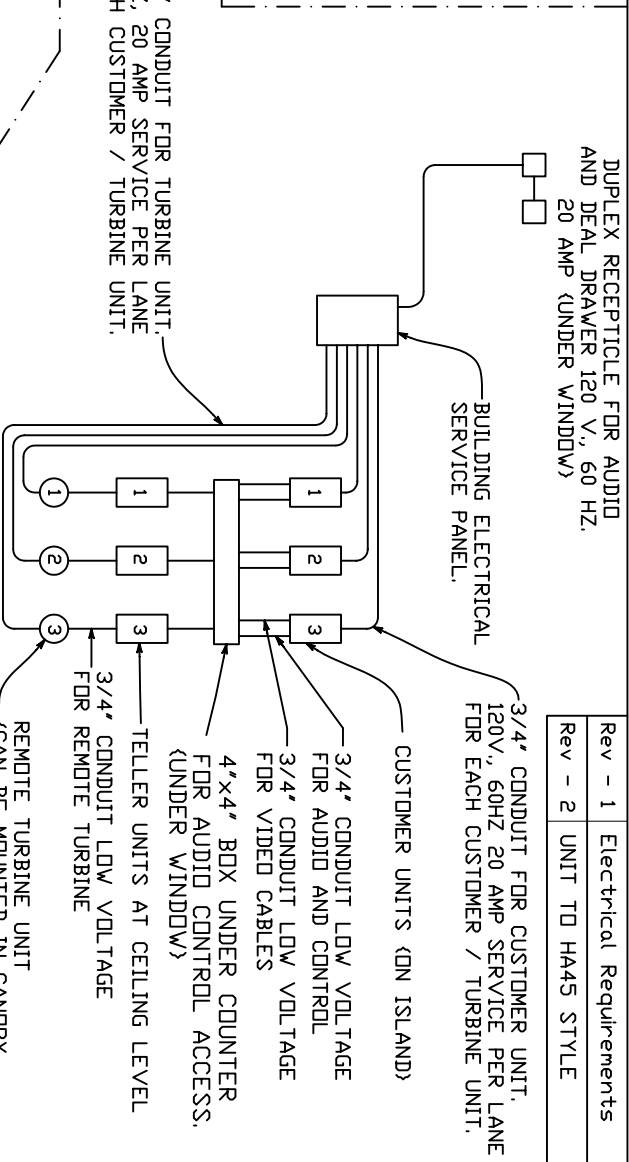
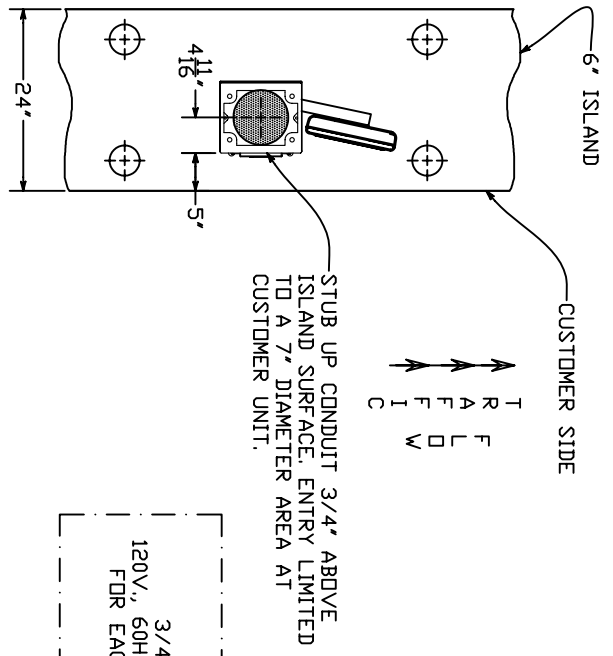
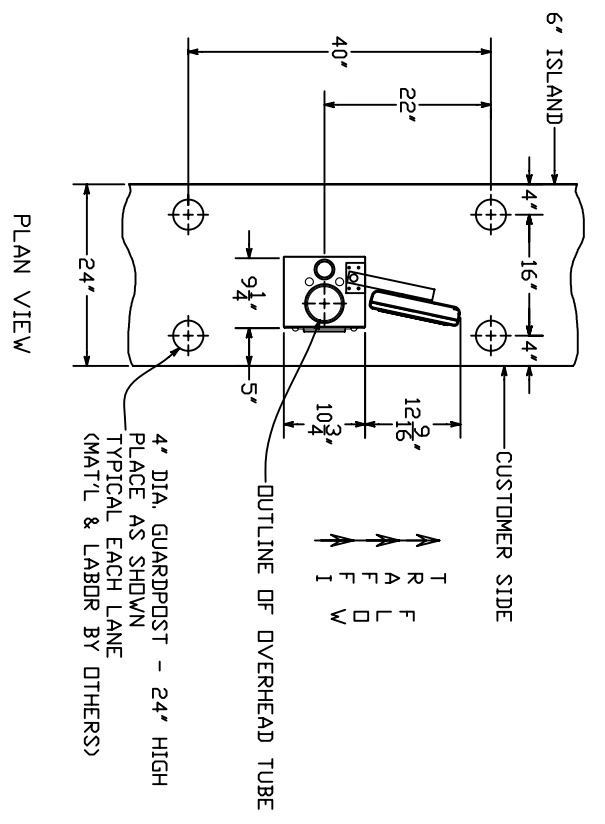
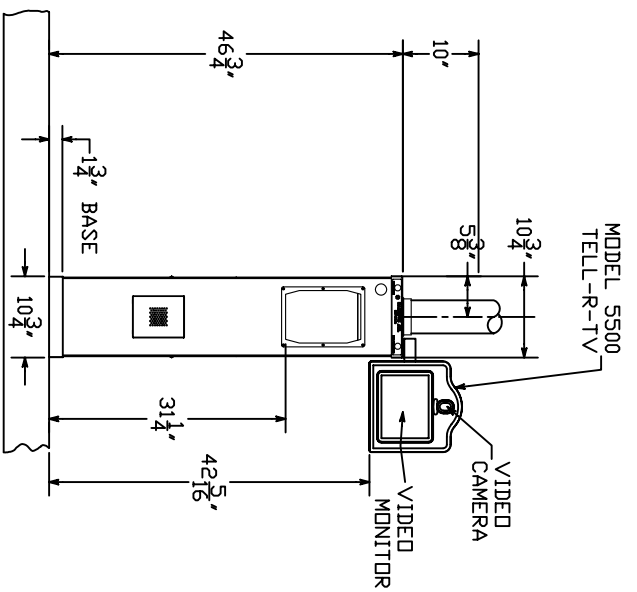
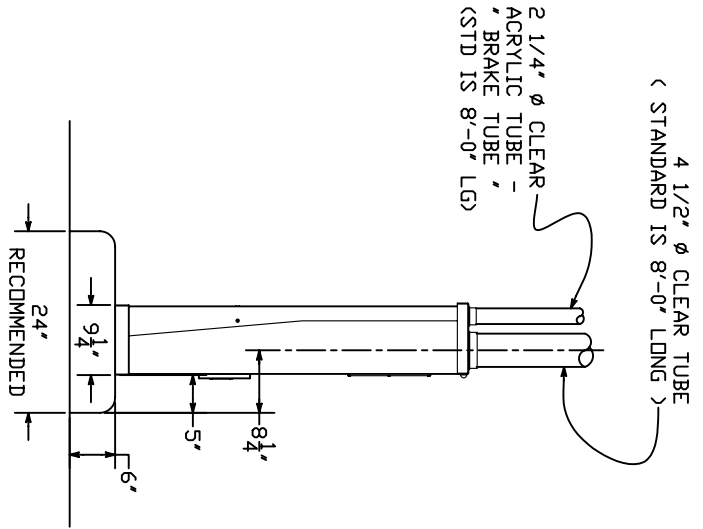


Rev - 1	Electrical Requirements
Rev - 2	UNIT TO HA45 STYLE



UNDERGROUND CONDUIT ENTRY



LEFT SIDE ELEVATION

FRONT ELEVATION

HAMILTON AIR

MODEL HA-50 UPSEND
CUSTOMER UNIT WITH
5517 COMPACT TELL-R-TV