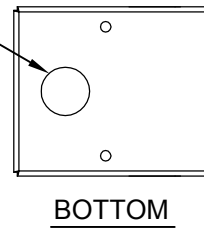
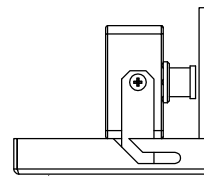
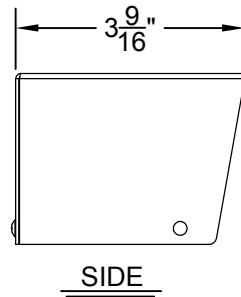
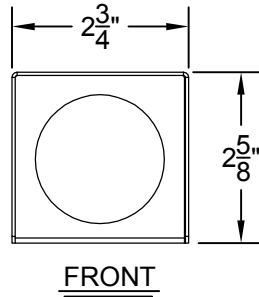
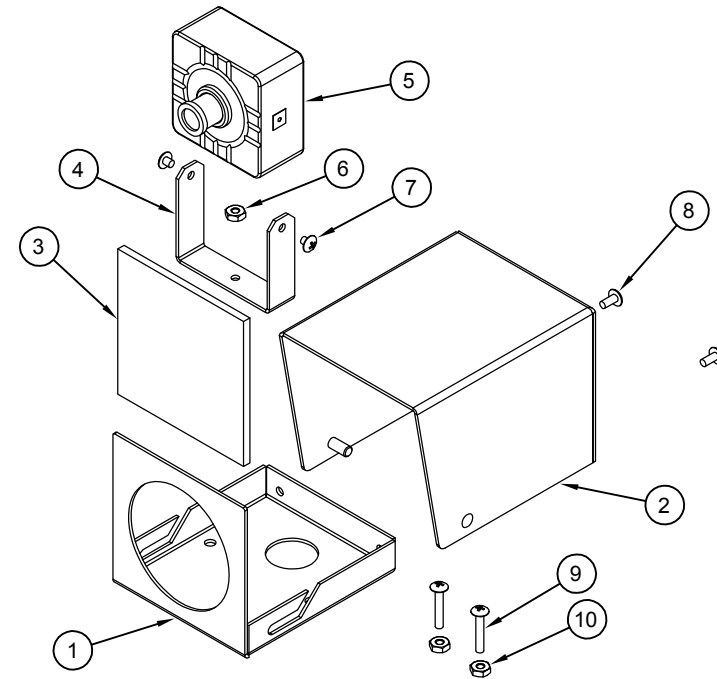


REF.#	P/N	DESCRIPTION	QUAN
1	B10457	BOTTOM FRAME, CAMERA HOUSING	1
2	B10458	TOP COVER, CAMERA HOUSING	2
3	B10459	GLASS LENS, CAMERA HOUSING	1
4	B10460	MOUNT, CAMERA HOUSING	1
5	E10167	CAMERA	1
6	BUY LOCAL	HEX NUT, 8-32	1
7	BUY LOCAL	MACHINE SCREW, TRUSS HEAD	1
8	H3729	TAMPER SCREW, 8-32 X 1/4	1
9	BUY LOCAL	MACHINE SCREW, 8-32 X 1	1
10	BUY LOCAL	HEX NUT, 8-32	1



USE LOWER CAMERA HOUSING TO MARK LOCATION OF MOUNTING AND WIRE ACCESS HOLES. DRILL TWO 3/16" DIAMETER HOLES FOR MOUNTING AND ONE 1" DIAMETER HOLE FOR WIRE ACCESS. USE SILICONE SEALANT UNDER CAMERA HOUSING TO SEAL BETWEEN HOUSING AND MOUNTING SURFACE.



REV.-1	DATE: 8/22/11	Changed P/N for Camera
REV.-2	DATE: 1/24/12	Changed P/N for Items #1~4
REV.-3	DATE:	

HAMILTON AIR

**CAMERA HOUSING
with COLOR CAMERA
PART # E0465-3WD**

THIS DRAWING IS THE PROPERTY OF HAMILTON AIR CO. AND SHALL NOT BE REPRODUCED OR COPIED OR USED AS THE BASIS FOR MANUFACTURE OR SALE OF APPARATUS WITHOUT PERMISSION.

Drawing Number : 99-959 Date : 11/6/07