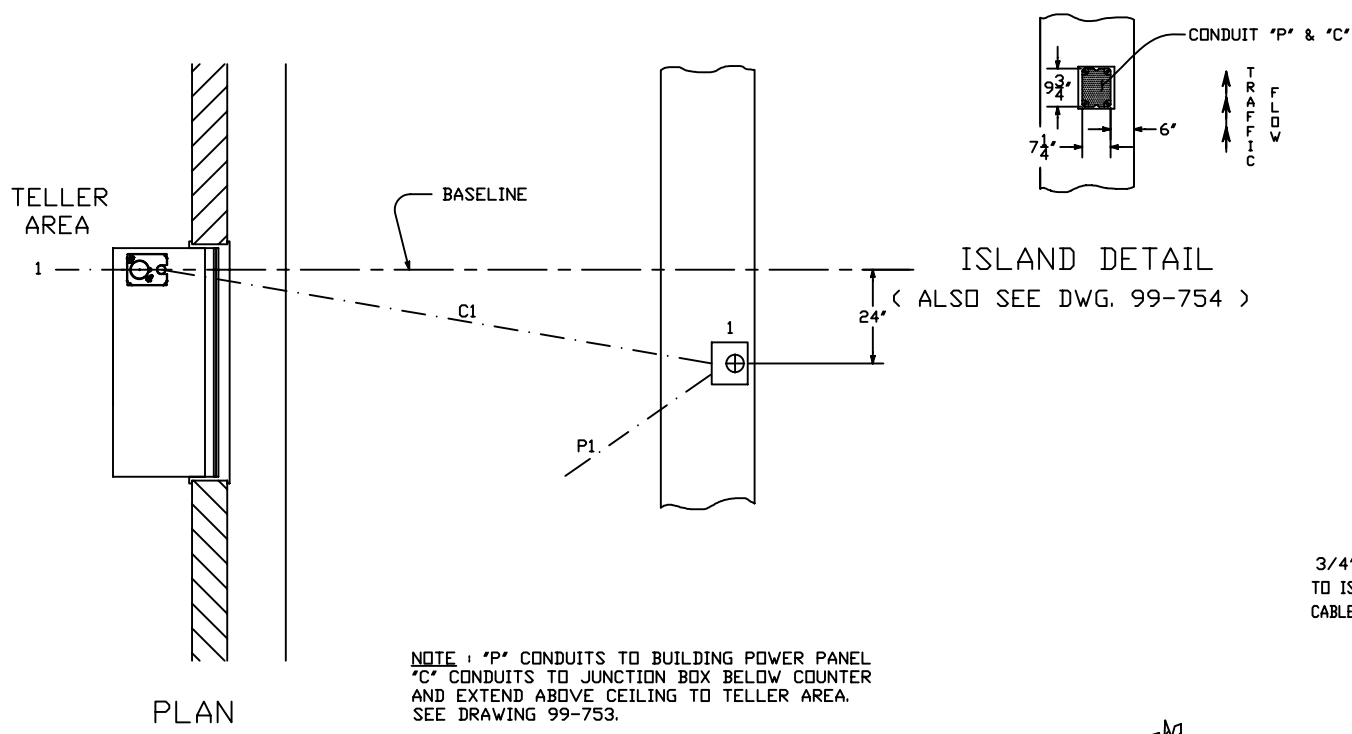
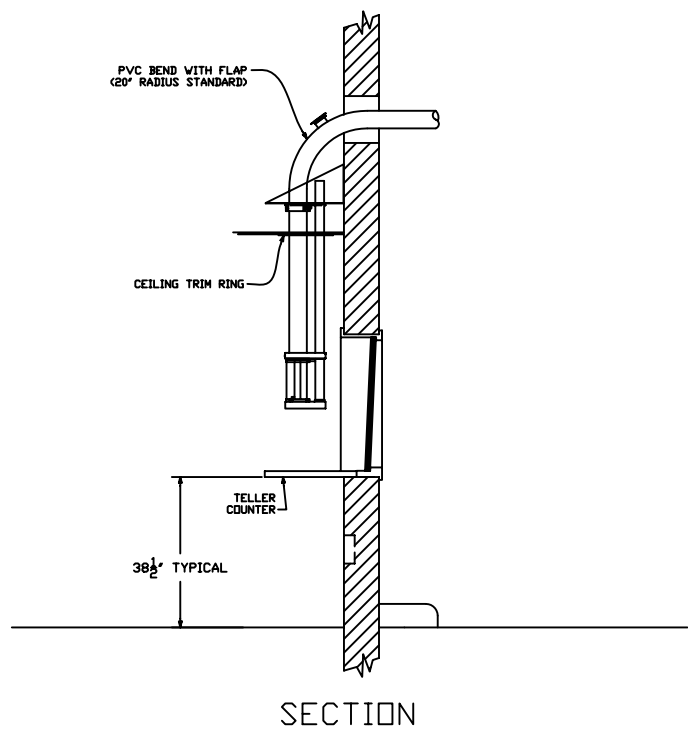
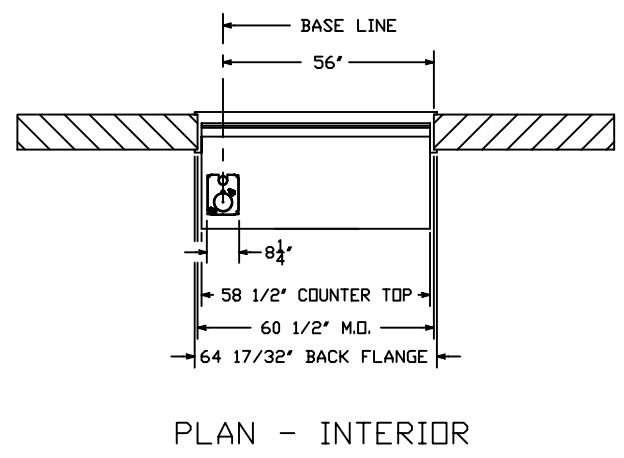
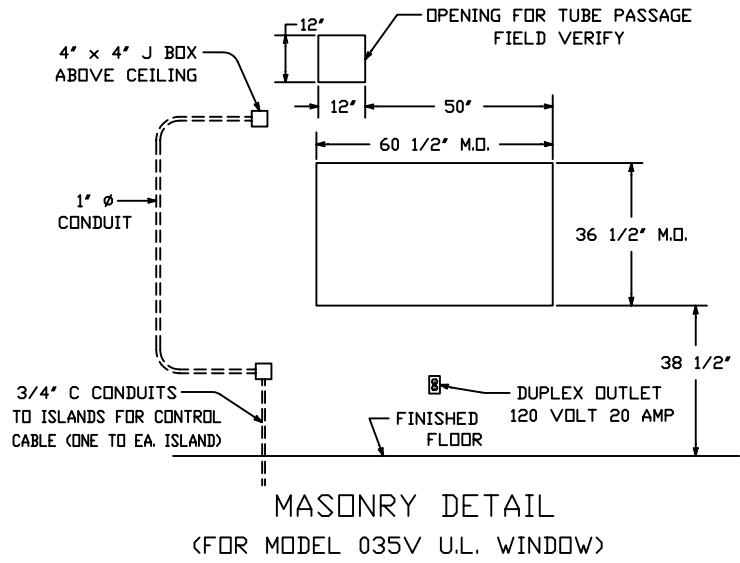


Rev - 1	
Rev - 2	



NOTE: 'P' CONDUITS TO BUILDING POWER PANEL  
'C' CONDUITS TO JUNCTION BOX BELOW COUNTER  
AND EXTEND ABOVE CEILING TO TELLER AREA.  
SEE DRAWING 99-753.



- ELECTRICAL CONTRACTOR TO PROVIDE
- ALL CONDUIT AS DETAILED
  - 20 AMP SERVICE TO TELLER AREA, AS SHOWN
  - 117 VAC SERVICE, 20 AMP SERVICE TO EACH CUSTOMER UNIT (17 AMP FULL LOAD)
  - CONDUIT 'C' IS FOR LOW VOLTAGE CONTROL CABLES INSTALLED BY TUBE SUPPLIER - ELECTRICAL CONTRACTOR TO PROVIDE PULL WIRES IN EACH CONDUIT

<b>HAMILTON AIR</b>	
MODEL HA-45	
101 SYSTEM - ATM LANE	
INTERIOR DETAILS	
Drawing Number : 99-958	Date : 10/31/07

REFERENCE DRAWING NUMBER # 99-752 ; 99-753