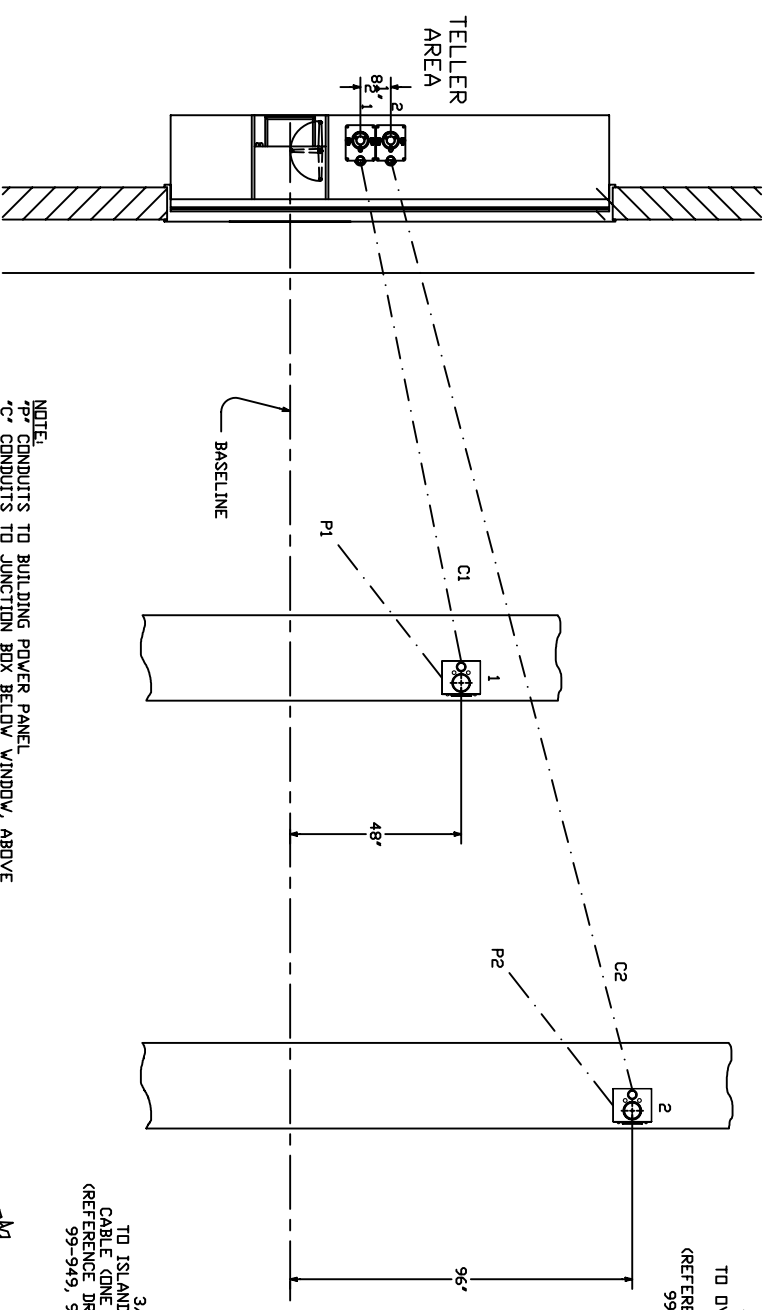
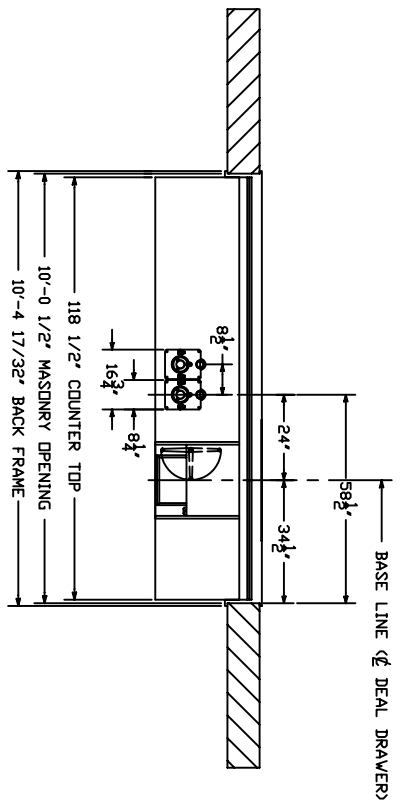


Rev - 1
Rev - 2

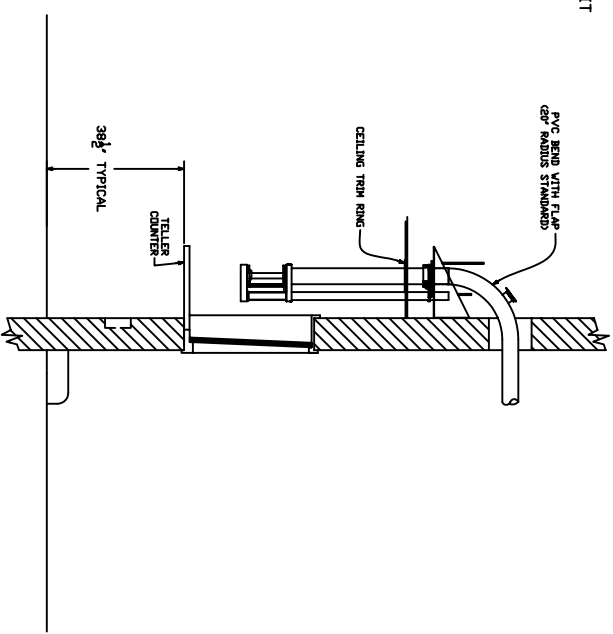


PLAN

NOTE:  
 P- CONDUITS TO BUILDING POWER PANEL  
 C- CONDUITS TO JUNCTION BOX BELOW WINDOW, ABOVE CEILING AT TELLER UNIT, AND REMOTE TURBINE UNIT  
 REFERENCE DRAWINGS: 99-948, 99-949



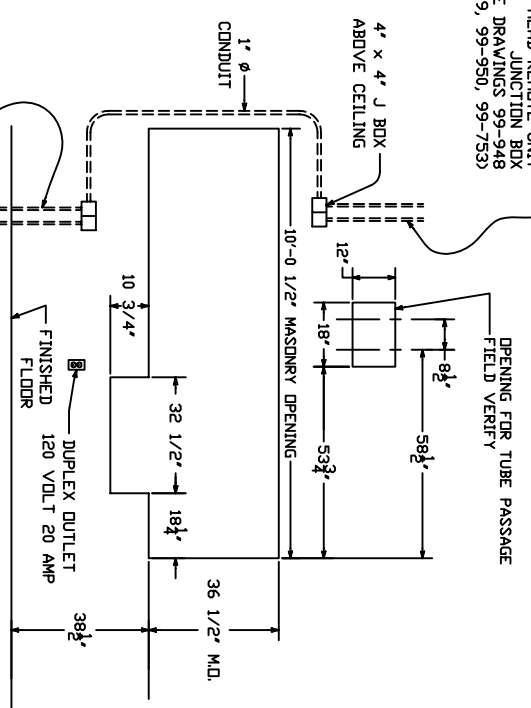
PLAN - INTERIOR



SECTION

REFERENCE DRAWING NUMBER # 99-752 ; 99-753

MASONRY DETAIL (FOR MODEL 310D U.L. WINDOW)



- ELECTRICAL CONTRACTOR TO PROVIDE
- ALL CONDUIT AS DETAILED
  - 20 AMP SERVICE TO TELLER AREA, AS SHOWN
  - 120 VAC SERVICE, 20 AMP SERVICE TO EACH LANE (CUSTOMER 4AMP / TURBINE 15AMP)
  - CONDUIT 'C' IS FOR LOW VOLTAGE CONTROL CABLES INSTALLED BY TUBE SUPPLIER
  - ELECTRICAL CONTRACTOR TO PROVIDE PULL WIRES IN EACH CONDUIT

HAMILTON AIR

MODEL HA-50  
 212 SYSTEM - UPSEND  
 INTERIOR DETAILS