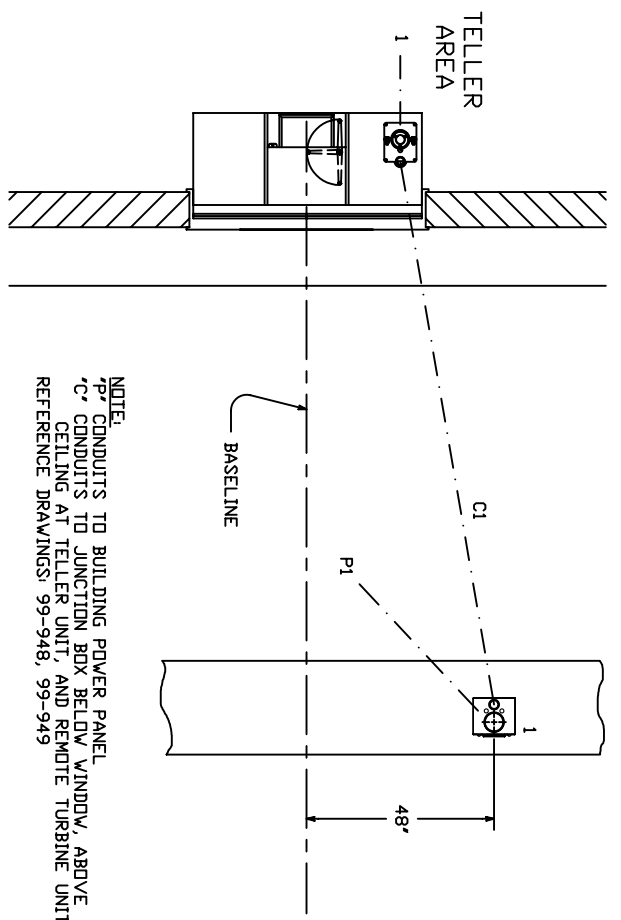
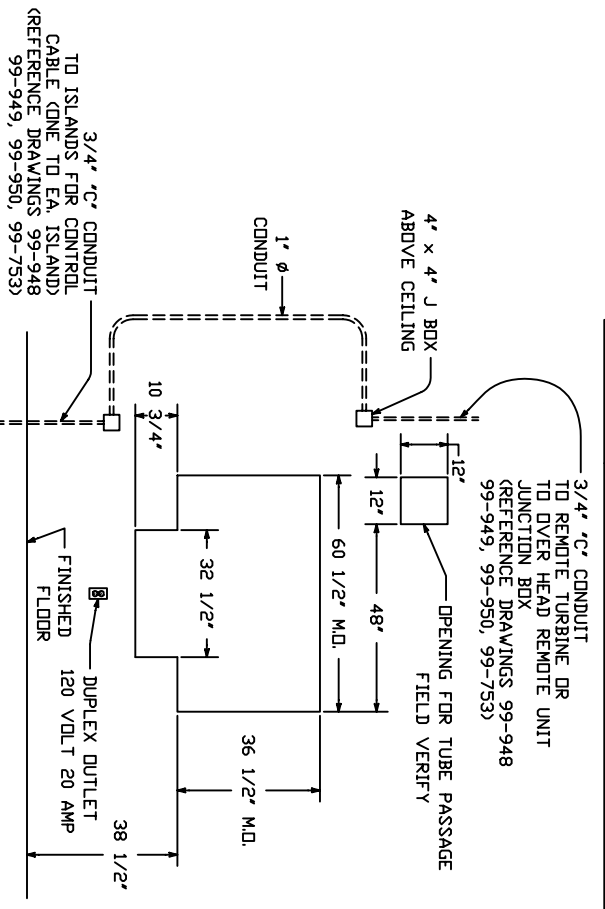


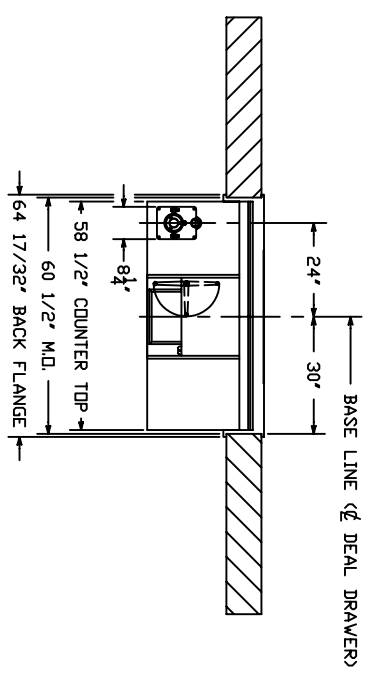
10/25/07	Rev - 1	Electrical Requirements
	Rev - 2	



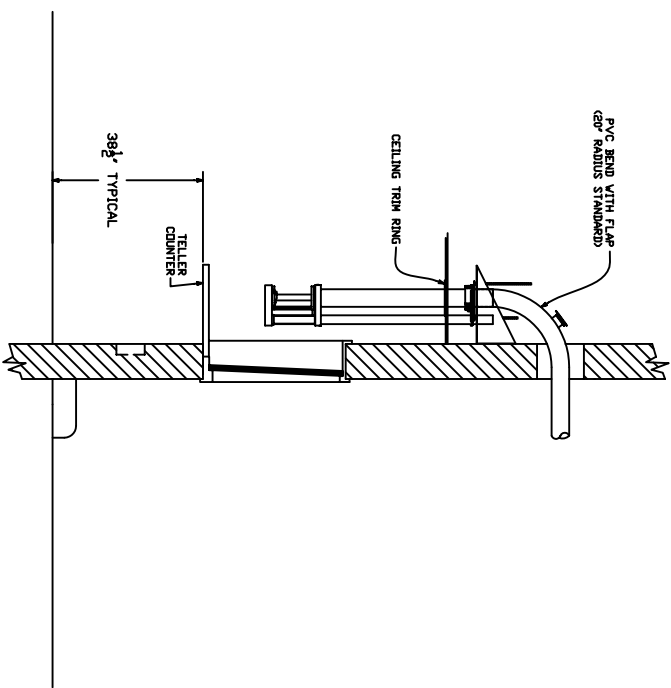
NOTE:
 P CONDUITS TO BUILDING POWER PANEL
 C CONDUITS TO JUNCTION BOX BELOW WINDOW, ABOVE
 CEILING AT TELLER UNIT, AND REMOTE TURBINE UNIT
 REFERENCE DRAWINGS: 99-948, 99-949



MASONRY DETAIL
 (FOR MODEL 035D U.L. WINDOW)



PLAN - INTERIOR



SECTION

- ELECTRICAL CONTRACTOR TO PROVIDE
- ALL CONDUIT AS DETAILED
 - 20 AMP SERVICE TO TELLER AREA, AS SHOWN
 - 120 VAC SERVICE, 20 AMP SERVICE TO EACH LANE (CUSTOMER 4AMP / TURBINE 15AMP)
 - CONDUIT *C* IS FOR LOW VOLTAGE CONTROL CABLES INSTALLED BY TUBE SUPPLIER
 - ELECTRICAL CONTRACTOR TO PROVIDE PULL WIRES IN EACH CONDUIT

REFERENCE DRAWING NUMBER # 99-752 ; 99-753

HAMILTON AIR
MODEL HA-50
111 SYSTEM - UPSEND
INTERIOR DETAILS
Drawing Number : 99-953
Date : 10/08/07