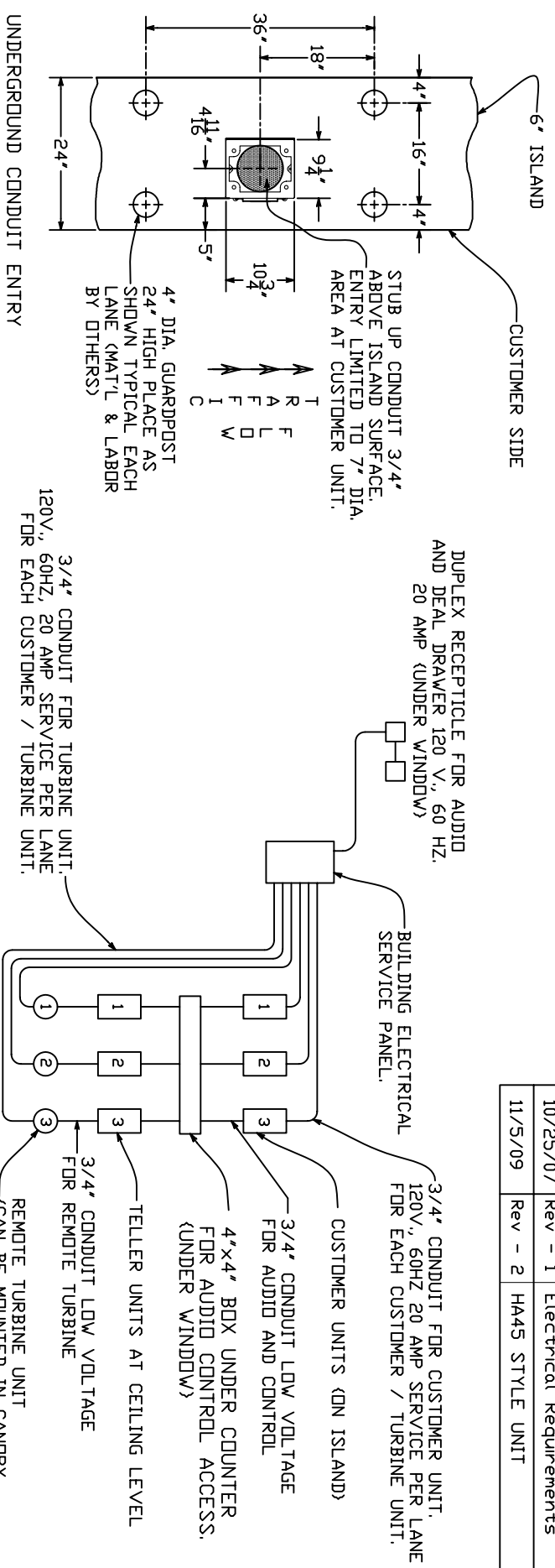
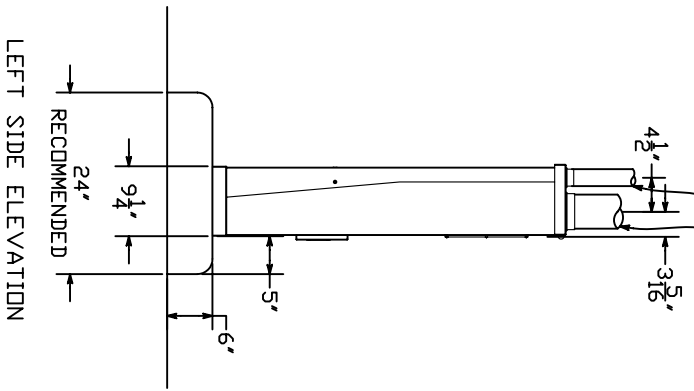


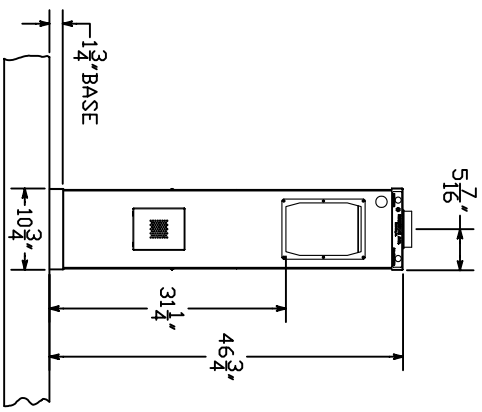
10/25/07	Rev - 1	Electrical Requirements
11/5/09	Rev - 2	HA45 STYLE UNIT



4 1/2" ϕ AND 2 1/4" ϕ CLEAR ACRYLIC TUBE (STANDARD IS 8'-0" LONG)



CONDUIT DETAIL
3 SYSTEMS SHOWN



HAMILTON AIR

MODEL HA-50
UPSEND
CUSTOMER UNIT