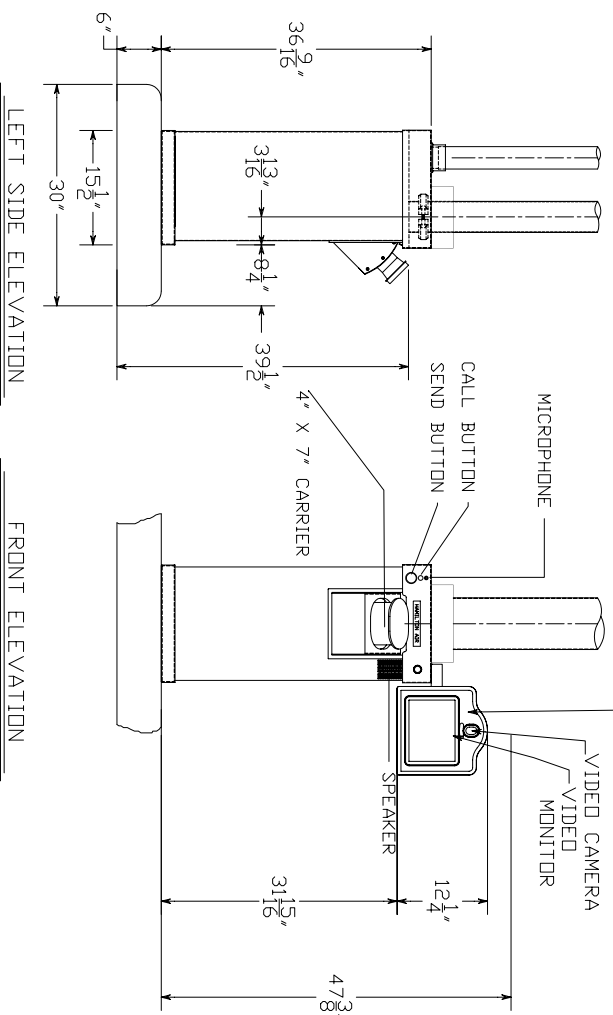
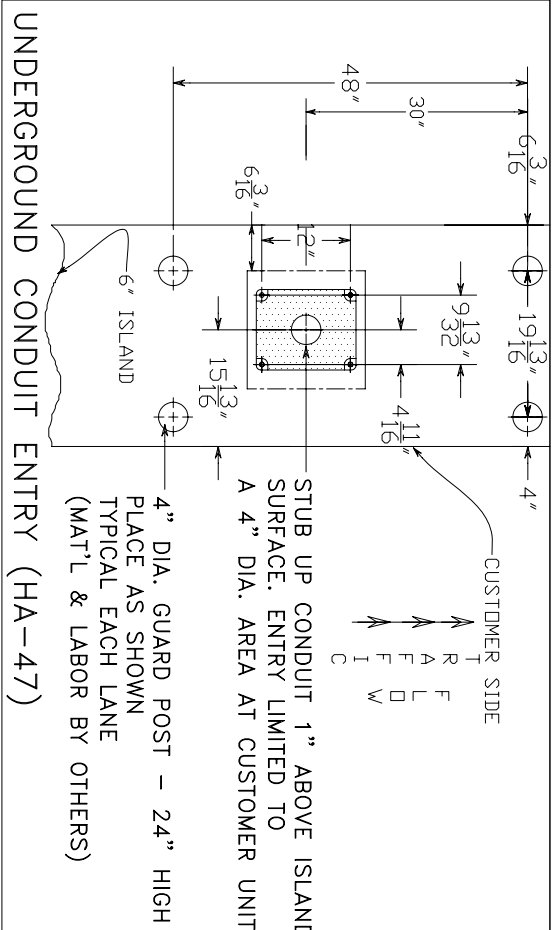


PLAN VIEW

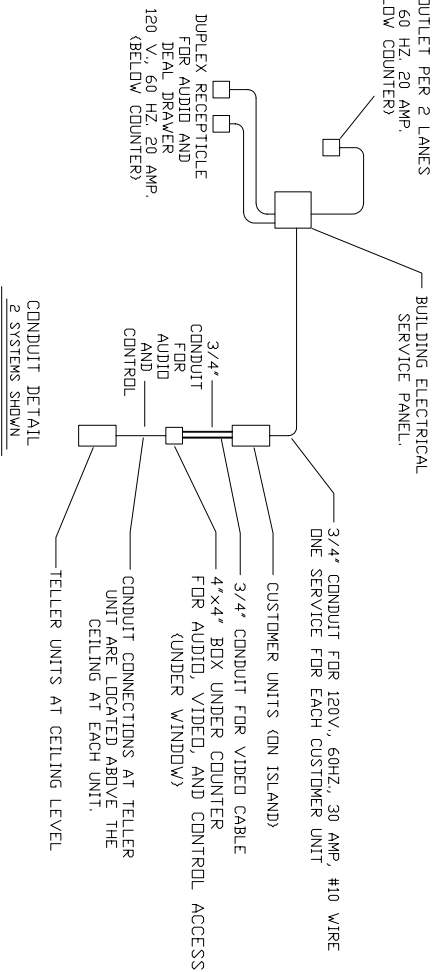


LEFT SIDE ELEVATION

FRONT ELEVATION



UNDERGROUND CONDUIT ENTRY (HA-47)



CONDUIT DETAIL
2 SYSTEMS SHOWN

- ELECTRICAL CONTRACTOR TO PROVIDE**
- ALL CONDUIT AS DETAILED
 - 20 AMP SERVICE TO TELLER AREA, AS SHOWN
 - 117 VAC SERVICE, 30 AMP SERVICE TO EACH CUSTOMER UNIT (20 AMP FULL LOAD)
 - CONDUIT 1/2" IS FIBER LOW VOLTAGE CONTROL CABLES INSTALLED BY TUBE SUPPLIER
 - ELECTRICAL CONTRACTOR TO PROVIDE PULL WIRES IN EACH CONDUIT

HAMILTON AIR
MODEL HA-47 UPSEND CUSTOMER UNIT WITH MODEL 5517 TELL-R-TV
Drawing Number : 99-927
Date : 4/3/07