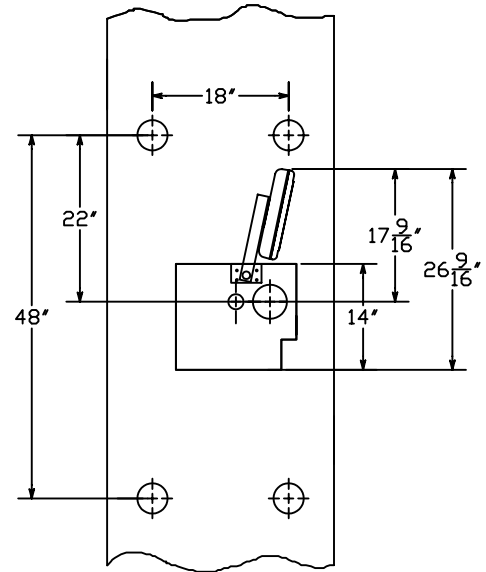
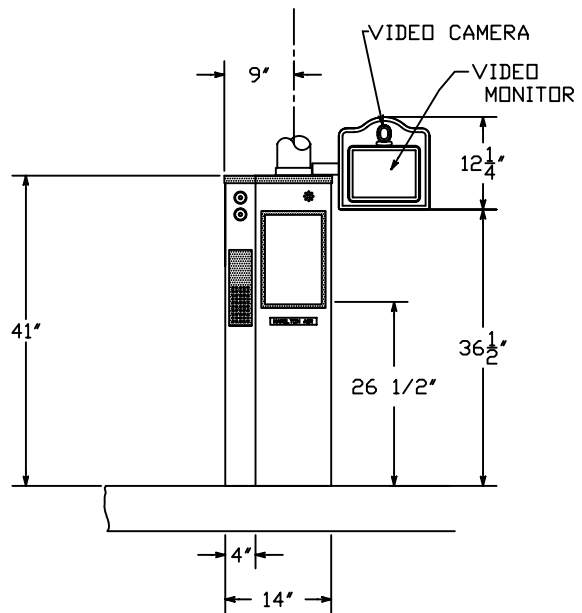
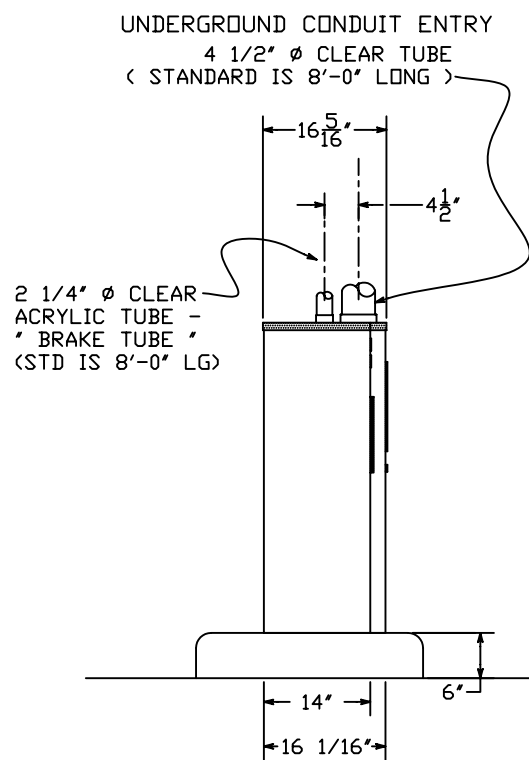
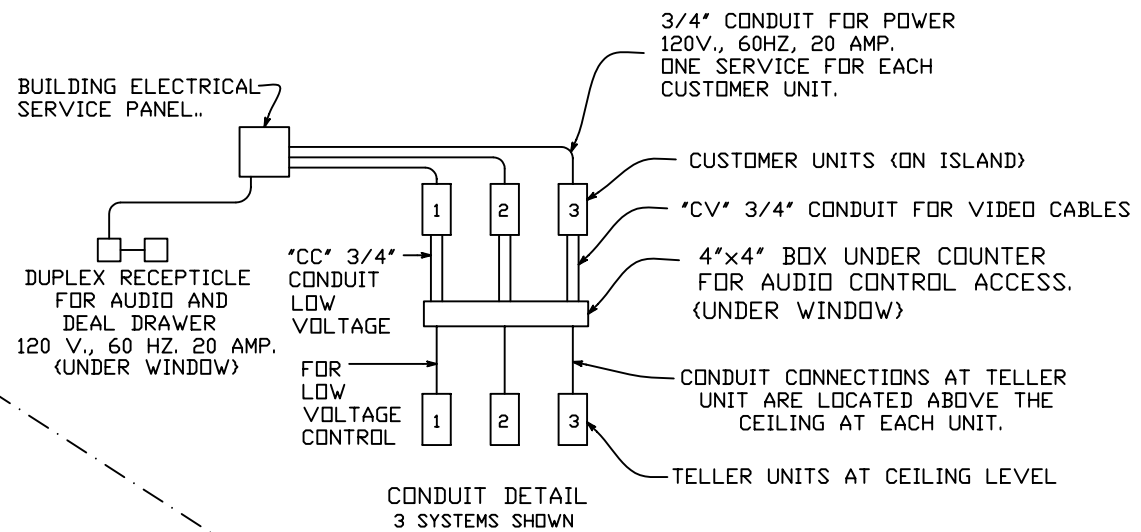
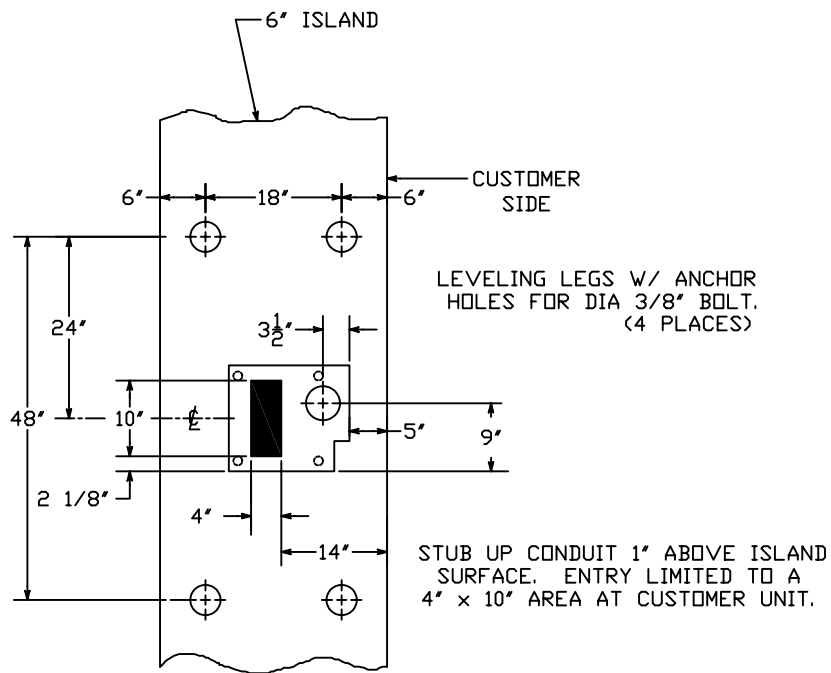


Rev - 1	
Rev - 2	



PLAN VIEW OF HA-1000 WITH MODEL 5517 TELL-R-TV

LEFT SIDE ELEVATION

FRONT ELEVATION

**HAMILTON AIR**

MODEL HA-1000  
UPSEND CUSTOMER UNIT  
W/ MODEL 5517 TELL-R-TV

Drawing Number : 99-924 | Date : 11/15/02