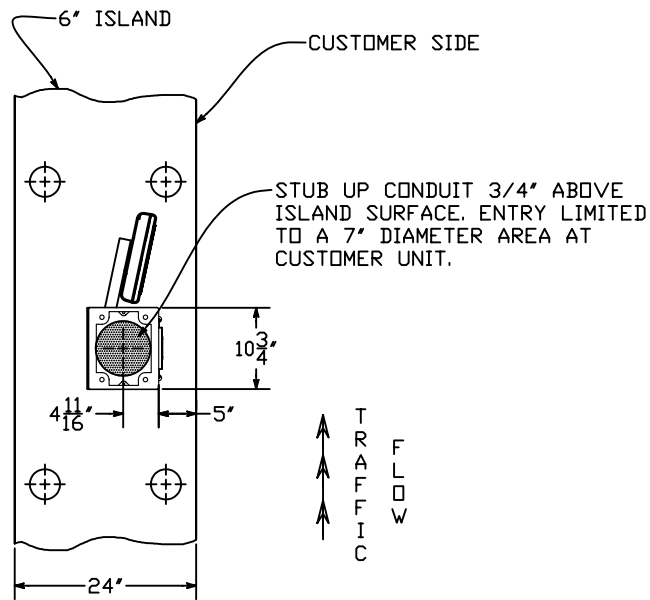
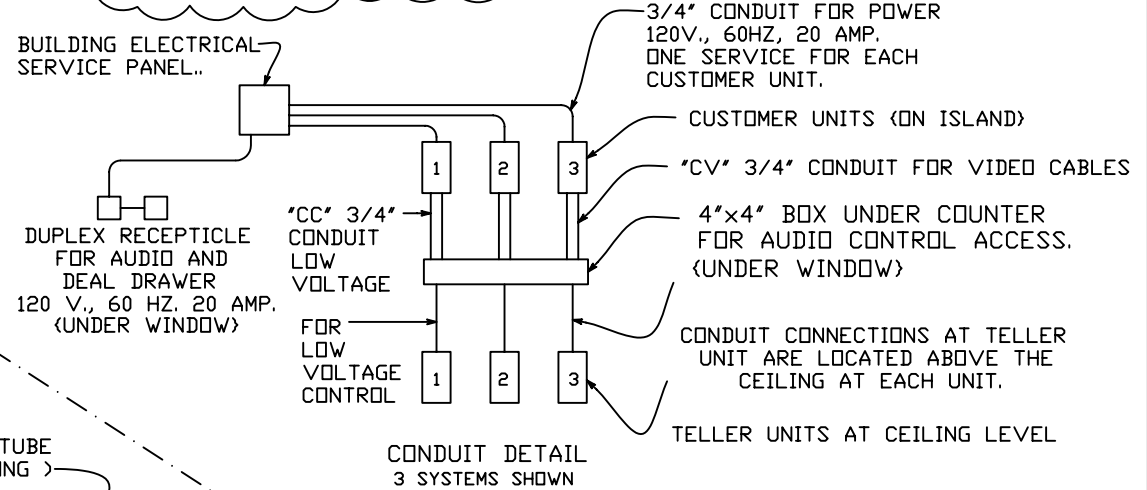


Rev - 1	ADDED PLAN VIEW
Rev - 2	

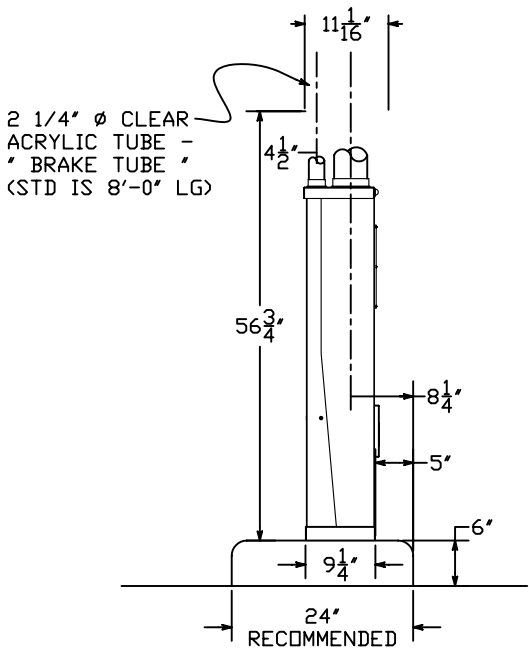


UNDERGROUND CONDUIT ENTRY

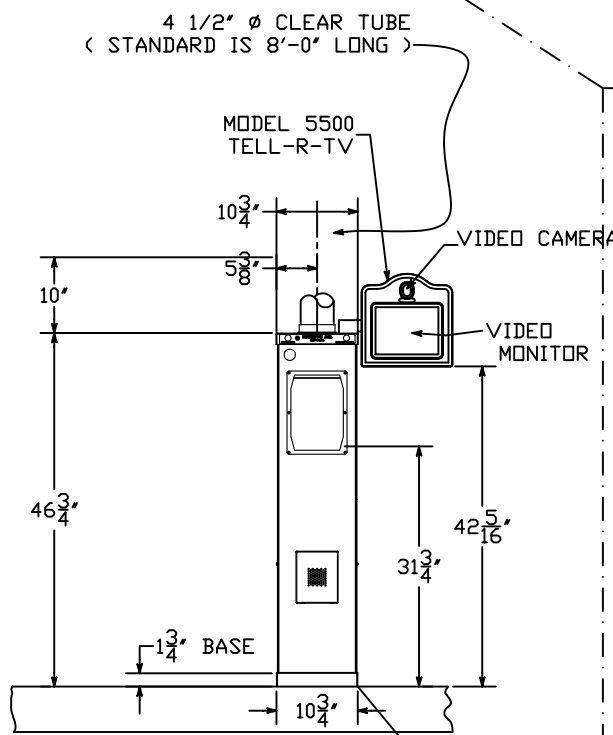
**ELECTRICAL NOTE :**  
 IF REMOTE CAMERAS ARE USED TO RECORD TO THE FACILITIES SURVEILLANCE SYSTEM A DEDICATED POWER SOURCE MUST BE USED TO POWER THE CAMERAS FOR PROPER PHASING



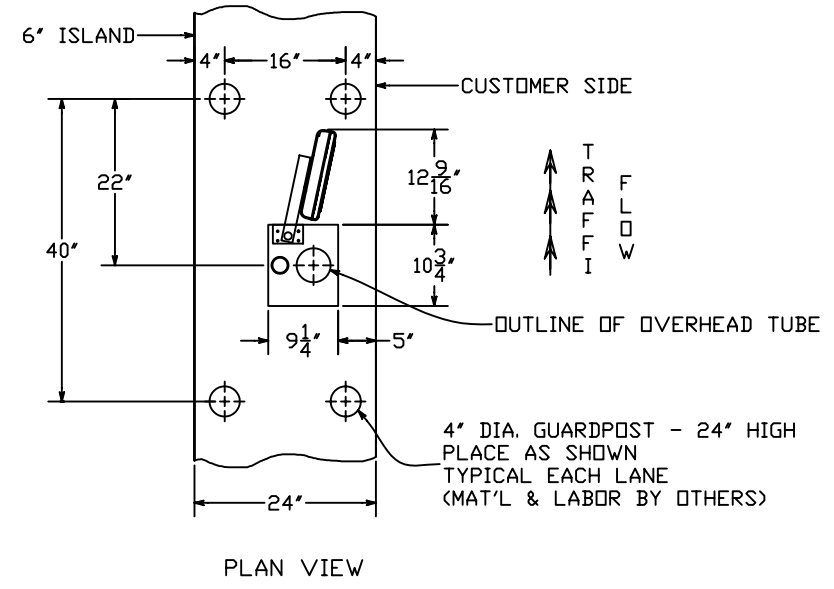
CONDUIT DETAIL  
3 SYSTEMS SHOWN



LEFT SIDE ELEVATION



FRONT ELEVATION



PLAN VIEW

**HAMILTON AIR**  
 MODEL HA-45  
 UPSEND CUSTOMER UNIT  
 MODEL 5517 TELL-R-TV