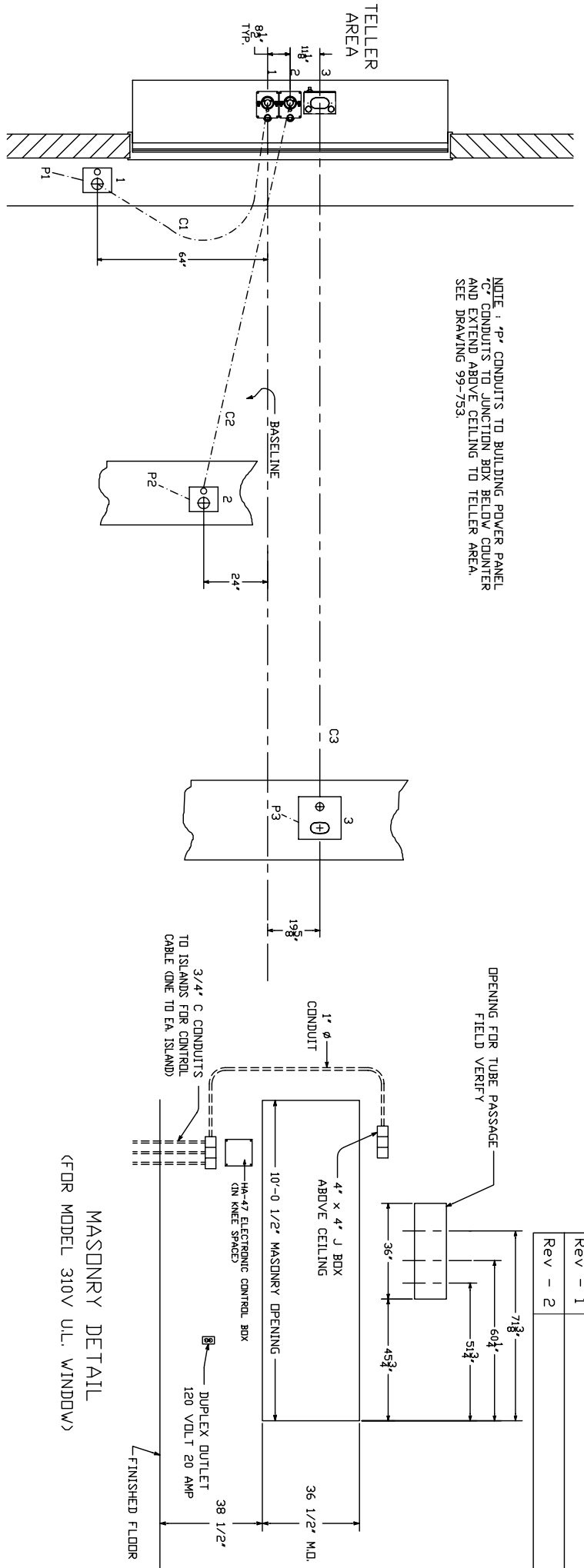


Rev - 1
Rev - 2

NOTE : 'P' CONDUITS TO BUILDING POWER PANEL
'C' CONDUITS TO JUNCTION BOX BELOW COUNTER
AND EXTEND ABOVE CEILING TO TELLER AREA.
SEE DRAWING 99-753.

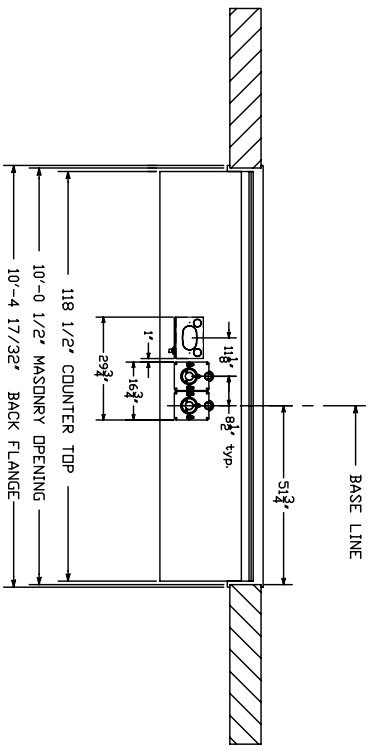


PLAN

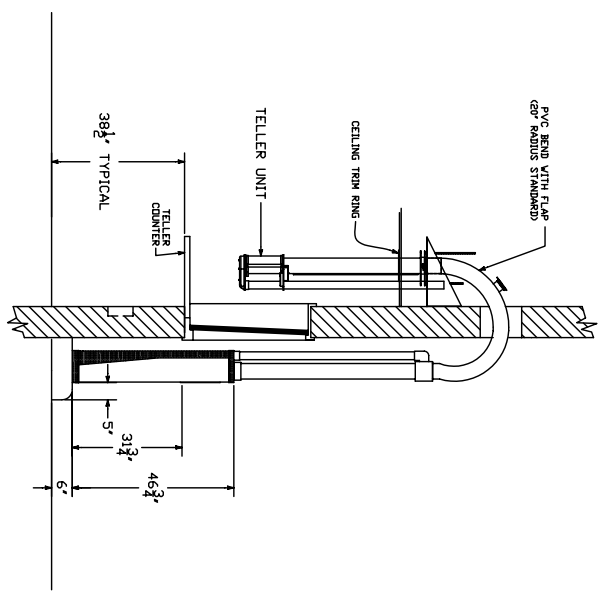
- ALL CONDUIT AS DETAILED
- 20 AMP SERVICE TO TELLER AREA, AS SHOWN
- 117 VAC SERVICE, 30 AMP SERVICE TO EACH CUSTOMER UNIT (20 AMP FULL LOAD)
- CONDUIT 'C' IS FOR LOW VOLTAGE CONTROL CABLES INSTALLED BY TUBE SUPPLIER
- ELECTRICAL CONTRACTOR TO PROVIDE PULL WIRES IN EACH CONDUIT

ELECTRICAL CONTRACTOR TO PROVIDE

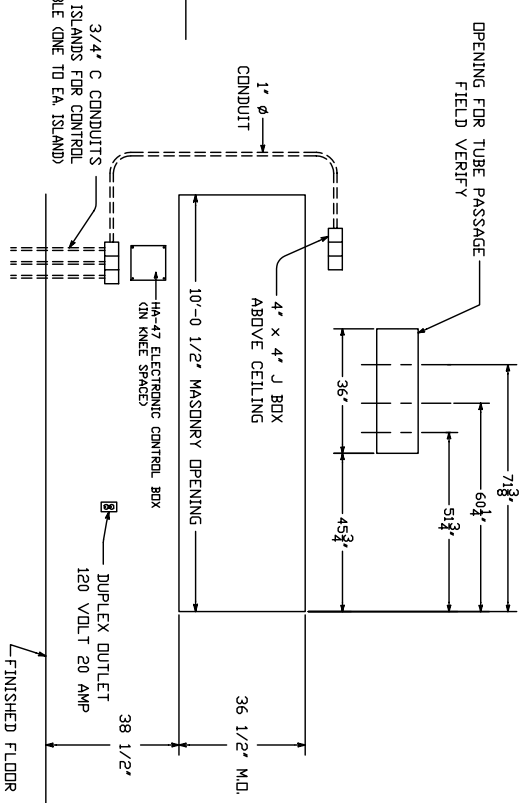
PLAN - INTERIOR



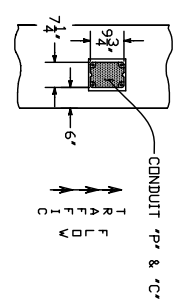
SECTION



MASONRY DETAIL
(FOR MODEL 310V U.L. WINDOW)



ISLAND DETAIL
< ALSO SEE DWG. 99-754 >



REFERENCE DRAWING NUMBER # 99-752 ; 99-753

HAMILTON AIR	
CUSTOM SYS (2) HA-45 / (1) HA-47	
INTERIOR DETAILS	
Drawing Number : 99-909	Date : 1-16-06