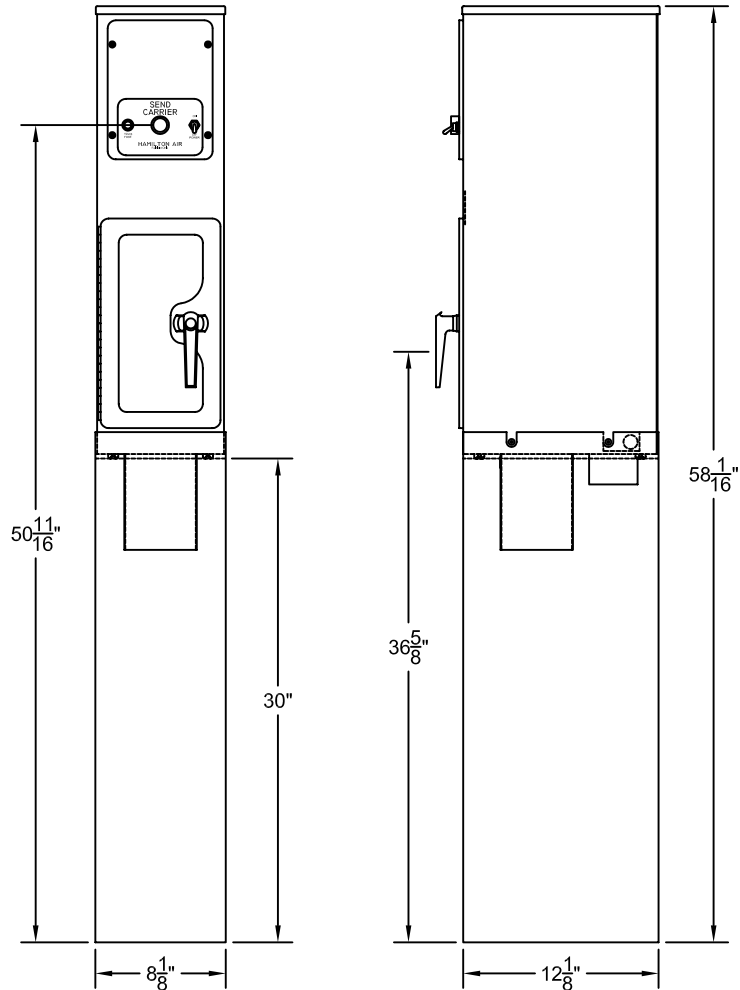


HT15-4" **UP** SEND UNIT
MOUNTED ON PEDESTAL



HT15-4" **DOWN** SEND UNIT
MOUNTED ON PEDESTAL

THESE DRAWINGS ARE THE
PROPERTY OF HAMILTON AIR CO.
AND SHALL NOT BE REPRODUCED
OR COPIED OR USED AS THE BASIS
FOR MANUFACTURE OR SALE OF
APPARATUS WITHOUT PERMISSION

REV.-1	DATE:	
REV.-2	DATE:	
REV.-3	DATE:	

HAMILTON AIR

Model HT15-P
MOUNTING PEDESTAL
FOR HT15-4"

Drawing Number : 99-886 Date : 03/22/05