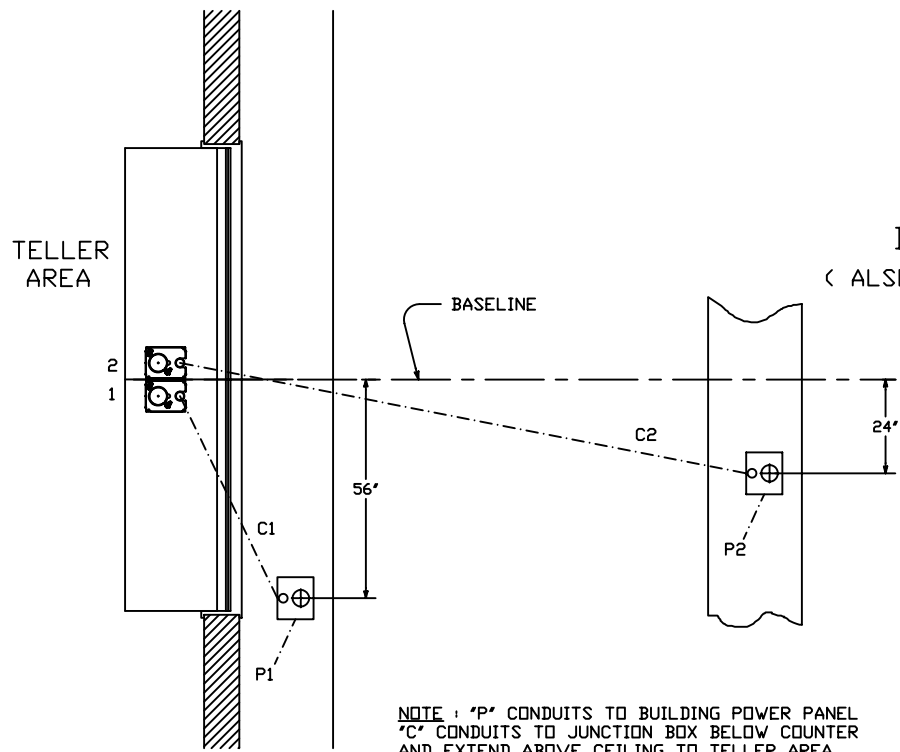
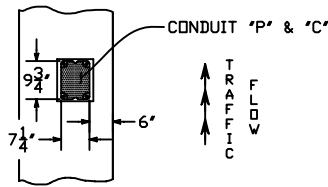


Rev - 1	4/28/05 NEW STYLE TELLER
Rev - 2	

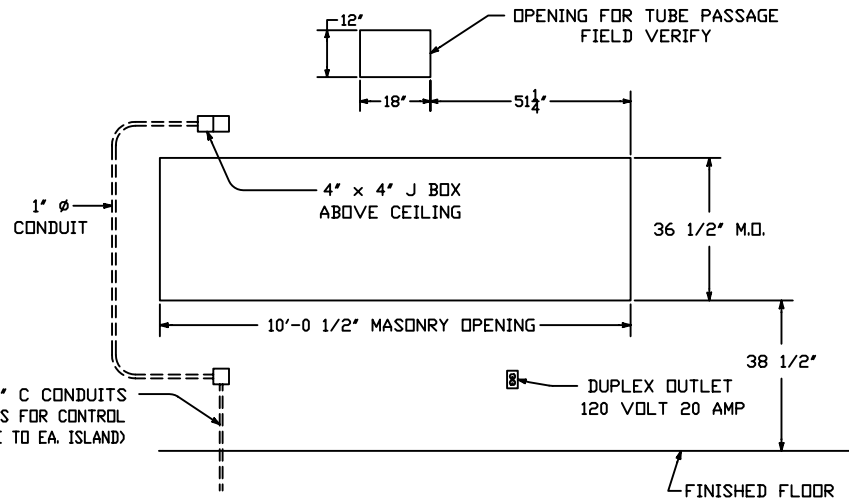


PLAN

NOTE: "P" CONDUITS TO BUILDING POWER PANEL
 "C" CONDUITS TO JUNCTION BOX BELOW COUNTER
 AND EXTEND ABOVE CEILING TO TELLER AREA.
 SEE DRAWING 99-753.



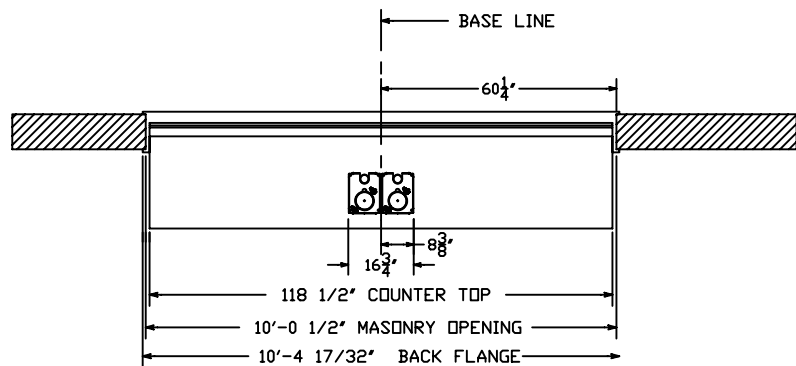
ISLAND DETAIL
 (ALSO SEE DWG. 99-754)



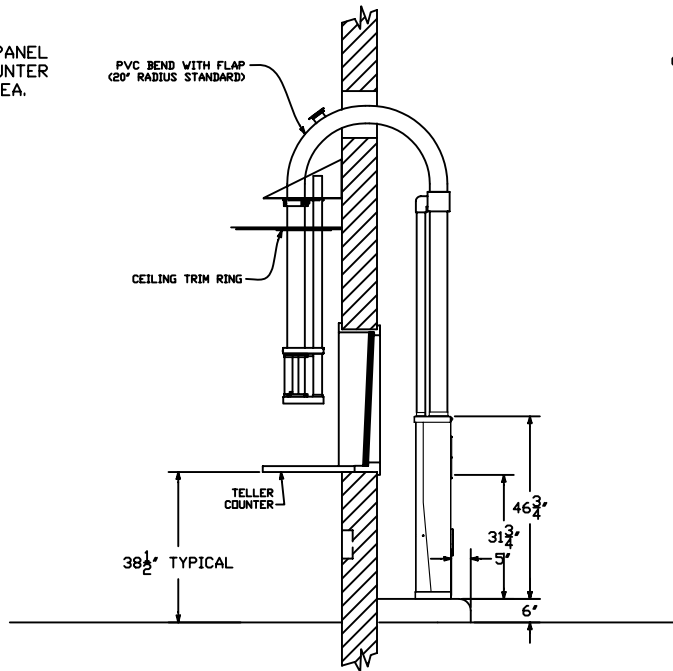
MASONRY DETAIL
 (FOR MODEL 310V U.L. WINDOW)

ELECTRICAL CONTRACTOR TO PROVIDE

- ALL CONDUIT AS DETAILED
- 20 AMP SERVICE TO TELLER AREA, AS SHOWN
- 117 VAC SERVICE, 20 AMP SERVICE TO EACH CUSTOMER UNIT (17 AMP FULL LOAD)
- CONDUIT "C" IS FOR LOW VOLTAGE CONTROL CABLES INSTALLED BY TUBE SUPPLIER - ELECTRICAL CONTRACTOR TO PROVIDE PULL WIRES IN EACH CONDUIT



PLAN - INTERIOR



SECTION

REFERENCE DRAWING NUMBER # 99-752 ; 99-753

HAMILTON AIR	
MODEL HA-45	
202 SYSTEM - UPSEND W/ 310V	
INTERIOR DETAILS	
Drawing Number : 99-874	Date : 7/29/04