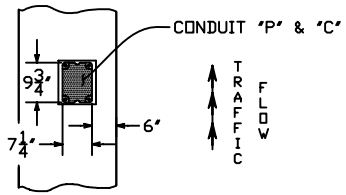
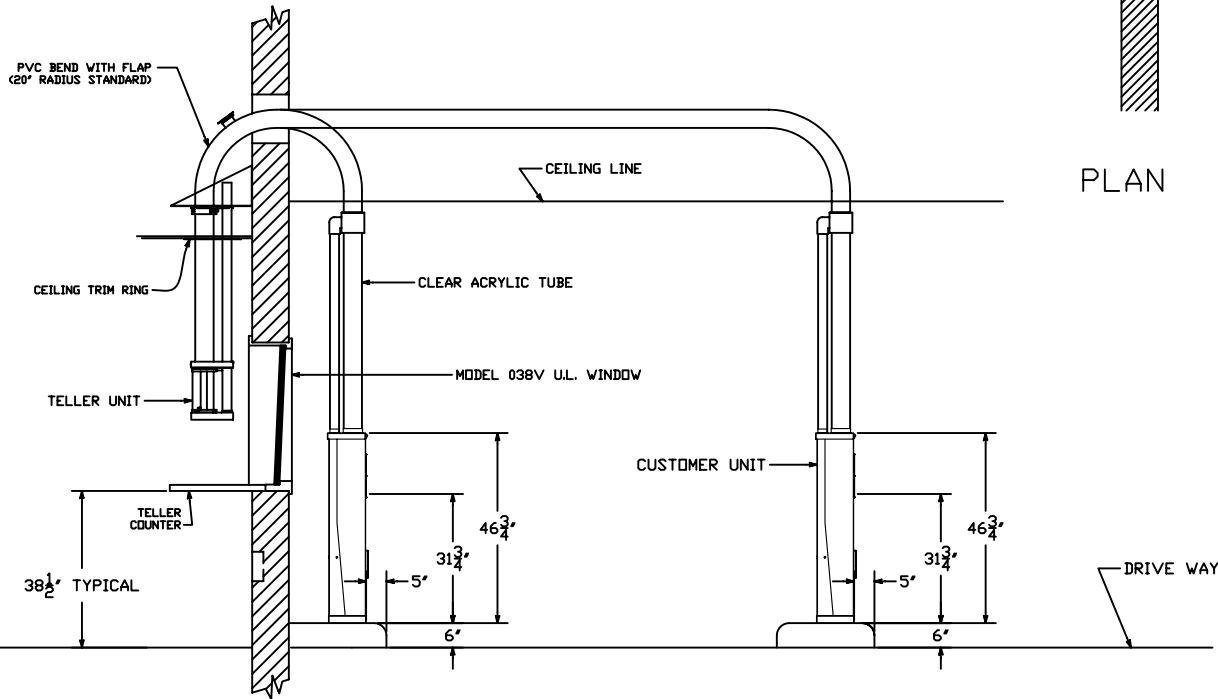
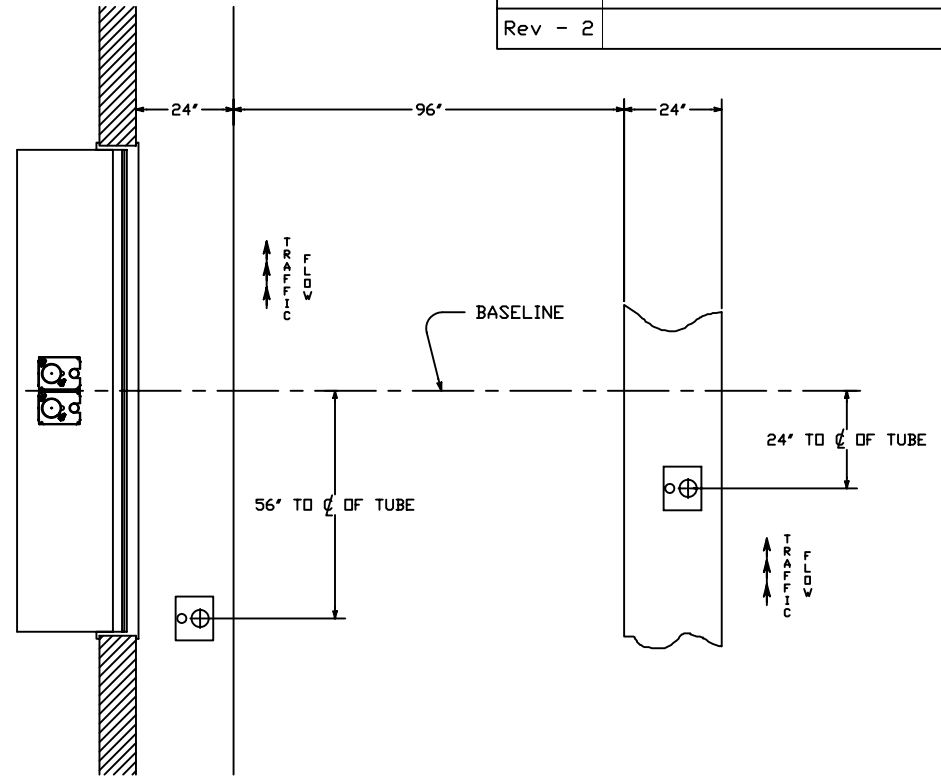


Rev - 1	4/28/05 NEW STYLE TELLER
Rev - 2	



TELLER AREA



REFERENCE DRAWING NUMBER # 99-752 ; 99-753

<b>HAMILTON AIR</b>	
MODEL HA-45 202 SYSTEM - UPSEND W/ 310V	
Drawing Number : 99-873	Date : 7/29/04