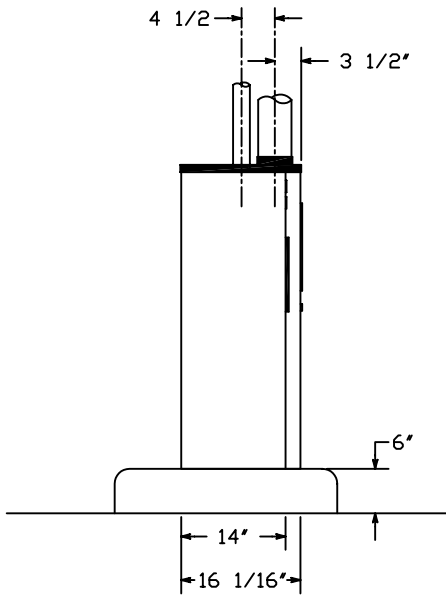
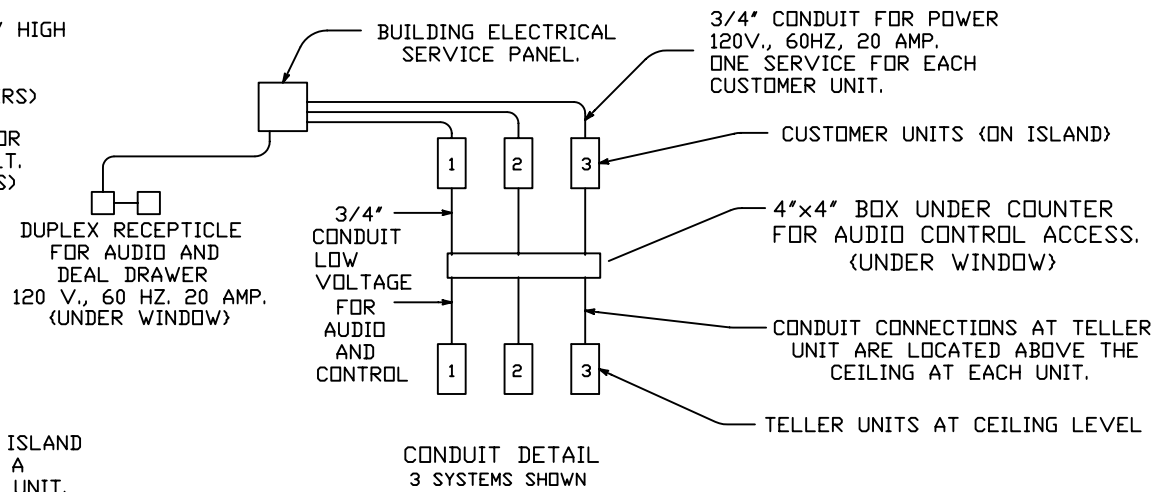
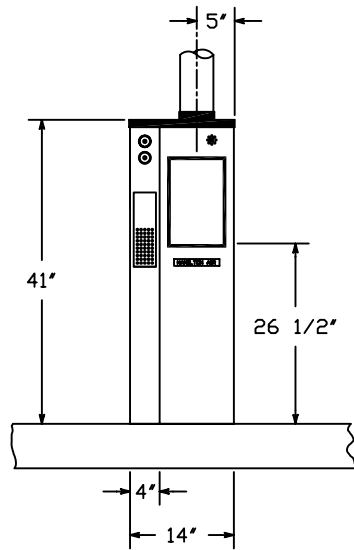


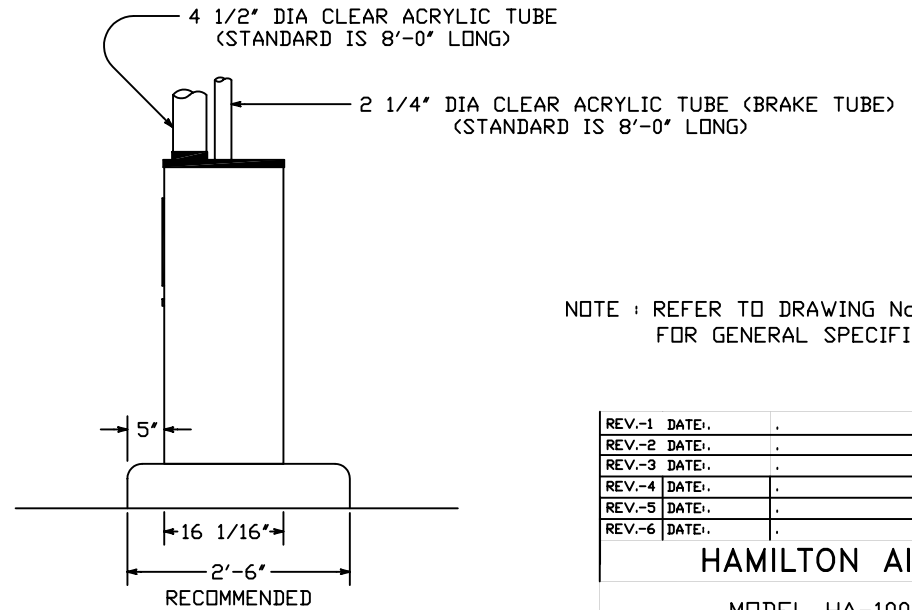
UNDERGROUND CONDUIT ENTRY



LEFT SIDE ELEVATION



FRONT ELEVATION



RIGHT SIDE ELEVATION

NOTE : REFER TO DRAWING No 99-268 FOR GENERAL SPECIFICATIONS.

|        |       |   |
|--------|-------|---|
| REV.-1 | DATE: | . |
| REV.-2 | DATE: | . |
| REV.-3 | DATE: | . |
| REV.-4 | DATE: | . |
| REV.-5 | DATE: | . |
| REV.-6 | DATE: | . |

HAMILTON AIR

MODEL HA-1000

UPSEND CUSTOMER UNIT (ANGLED)