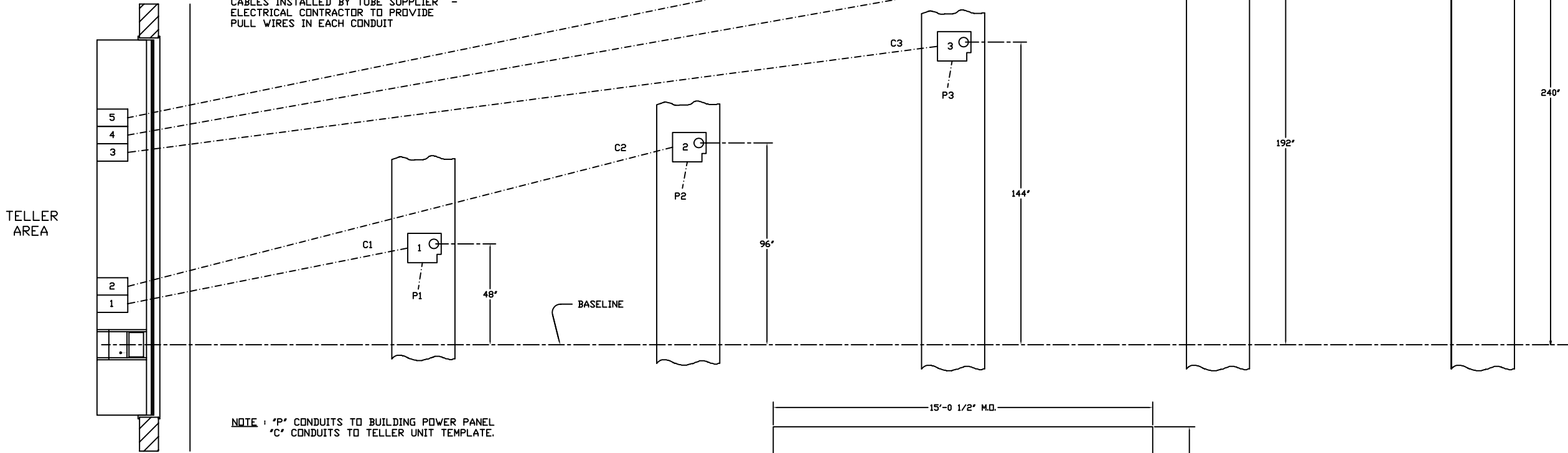


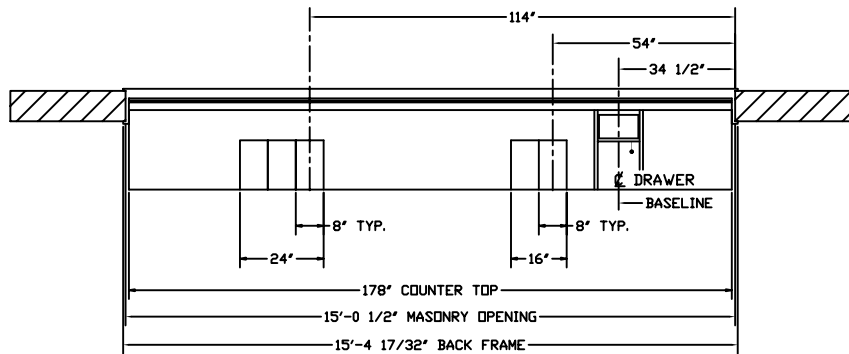
ELECTRICAL CONTRACTOR TO PROVIDE

- ALL CONDUIT AS DETAILED
- 20 AMP SERVICE TO TELLER AREA, AS SHOWN
- 117 VAC SERVICE, 30 AMP SERVICE TO EACH CUSTOMER UNIT (20 AMP FULL LOAD)
- CONDUIT "C" IS FOR LOW VOLTAGE CONTROL CABLES INSTALLED BY TUBE SUPPLIER - ELECTRICAL CONTRACTOR TO PROVIDE PULL WIRES IN EACH CONDUIT

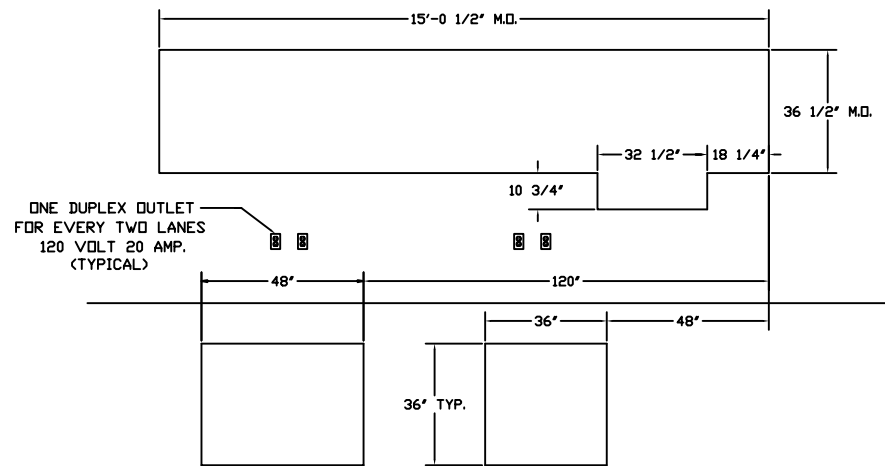


NOTE : "P" CONDUITS TO BUILDING POWER PANEL
 "C" CONDUITS TO TELLER UNIT TEMPLATE.

PLAN



PLAN - INTERIOR



INTERIOR MASONRY DETAIL
 (FOR MODEL 315D U.L. WINDOW)

HAMILTON AIR	
MODEL HA-1000-D 513 SYSTEM - DOWNSEND INTERIOR DETAILS	
Drawing Number : 99-828	Date : 7/3/02