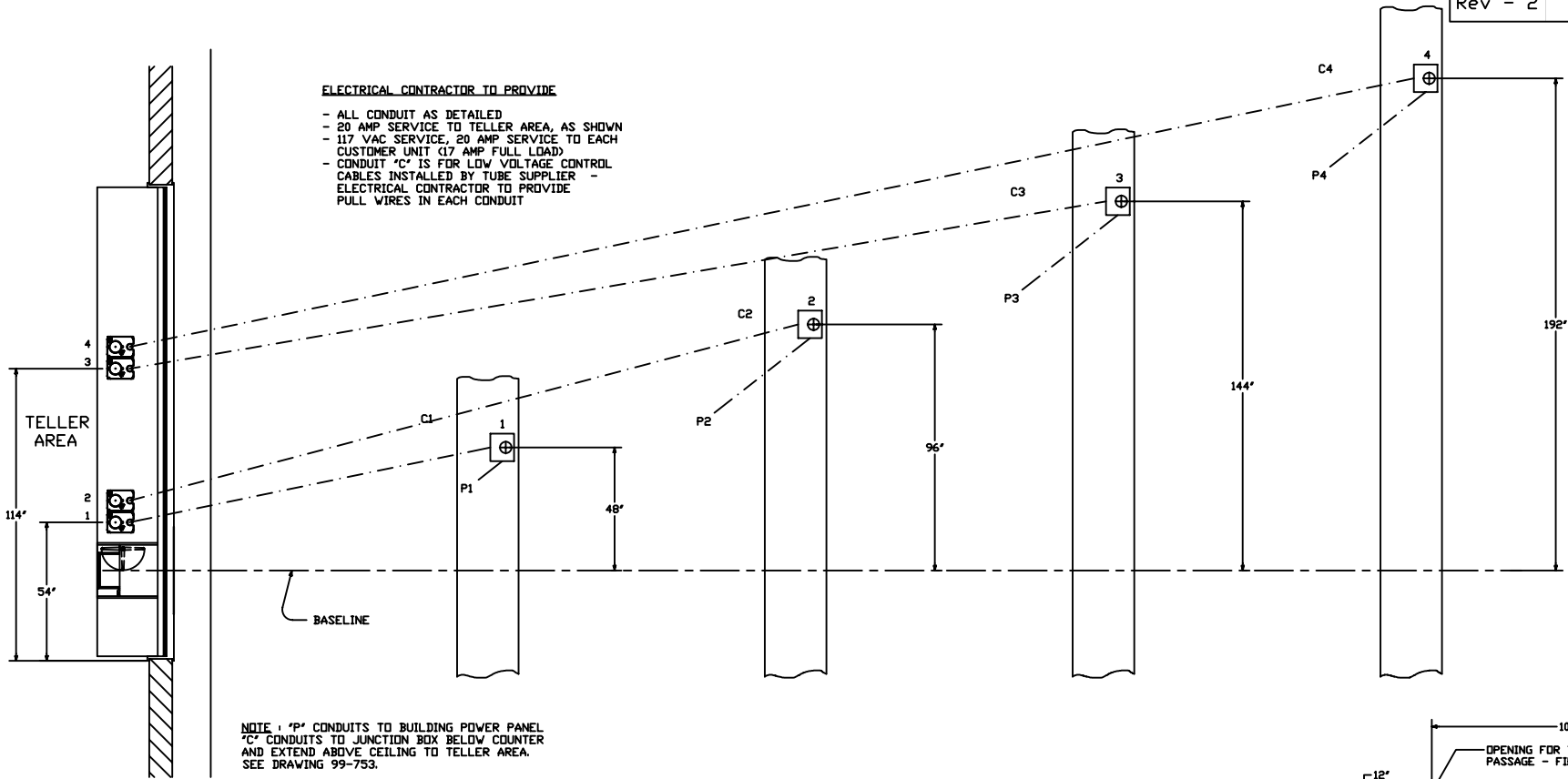


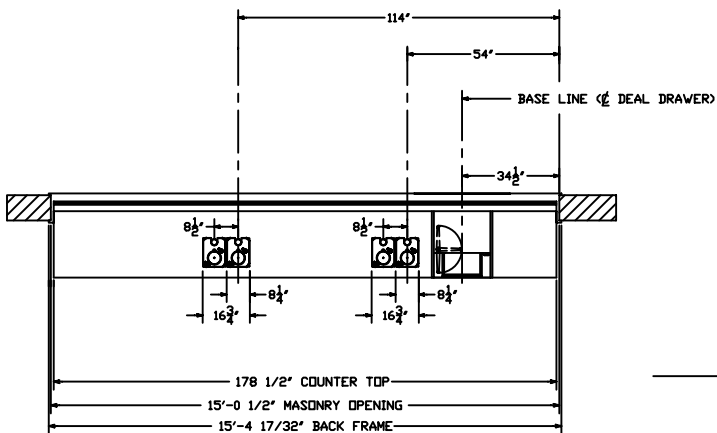
**ELECTRICAL CONTRACTOR TO PROVIDE**

- ALL CONDUIT AS DETAILED
- 20 AMP SERVICE TO TELLER AREA, AS SHOWN
- 117 VAC SERVICE, 20 AMP SERVICE TO EACH CUSTOMER UNIT (17 AMP FULL LOAD)
- CONDUIT "C" IS FOR LOW VOLTAGE CONTROL CABLES INSTALLED BY TUBE SUPPLIER
- ELECTRICAL CONTRACTOR TO PROVIDE PULL WIRES IN EACH CONDUIT

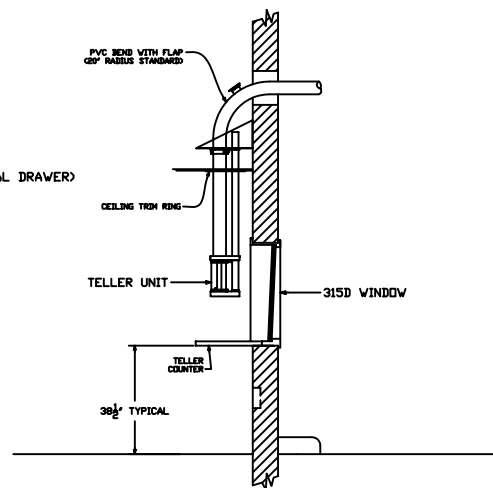


NOTE: "P" CONDUITS TO BUILDING POWER PANEL  
 "C" CONDUITS TO JUNCTION BOX BELOW COUNTER  
 AND EXTEND ABOVE CEILING TO TELLER AREA.  
 SEE DRAWING 99-753.

PLAN

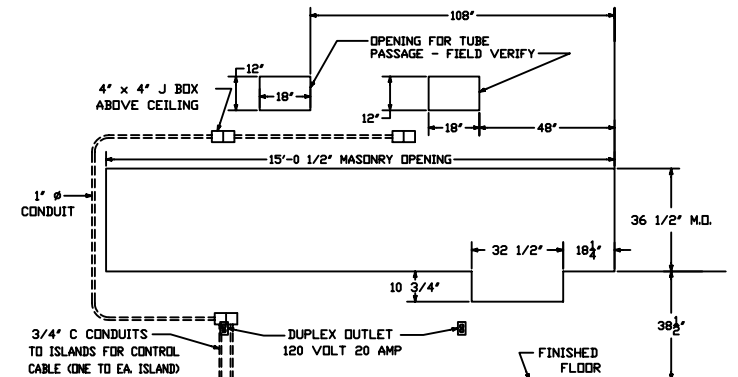


PLAN - INTERIOR

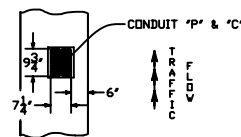


SECTION

REFERENCE DRAWING NUMBER # 99-752 ; 99-753



MASONRY DETAIL  
 (FOR MODEL 315D U.L. WINDOW)



ISLAND DETAIL  
 ( ALSO SEE DWG. 99-754 )

**HAMILTON AIR**

MODEL HA-45  
 413 SYSTEM - UPSEND  
 INTERIOR DETAILS