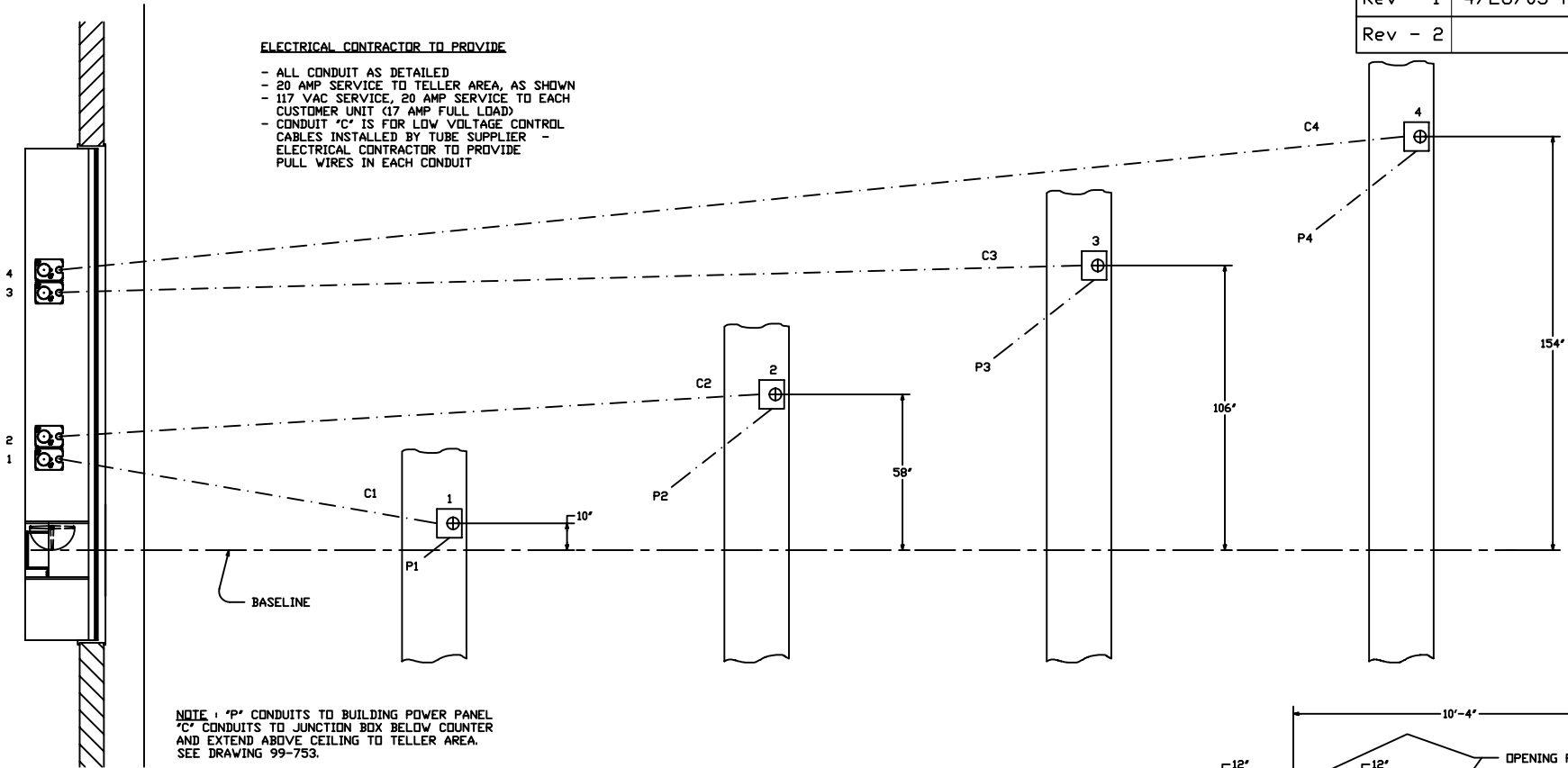


Rev - 1	4/28/05 NEW STYLE TELLER
Rev - 2	

ELECTRICAL CONTRACTOR TO PROVIDE

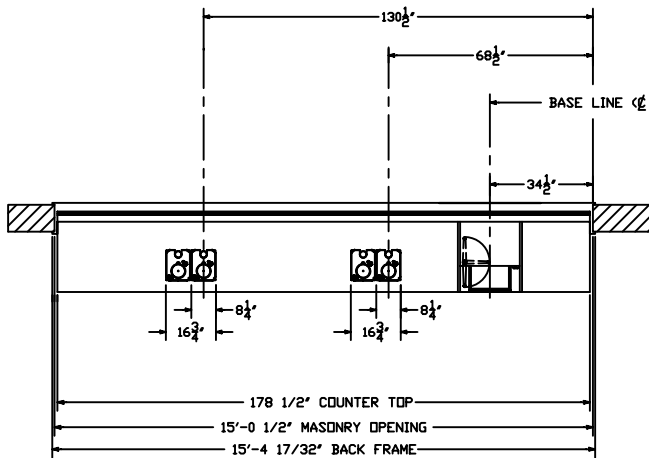
- ALL CONDUIT AS DETAILED
- 20 AMP SERVICE TO TELLER AREA, AS SHOWN
- 117 VAC SERVICE, 20 AMP SERVICE TO EACH CUSTOMER UNIT (17 AMP FULL LOAD)
- CONDUIT "C" IS FOR LOW VOLTAGE CONTROL CABLES INSTALLED BY TUBE SUPPLIER - ELECTRICAL CONTRACTOR TO PROVIDE PULL WIRES IN EACH CONDUIT

TELLER AREA

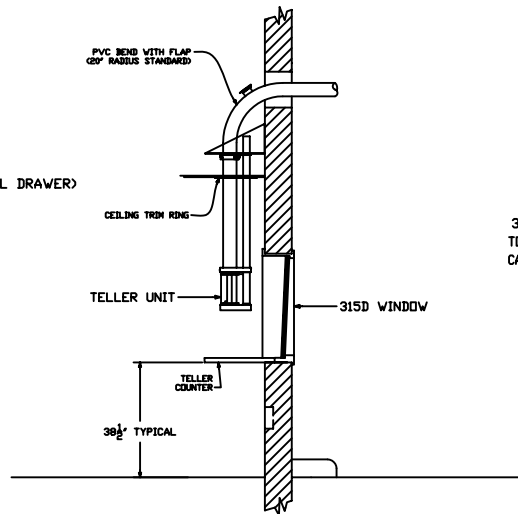


PLAN

NOTE: "P" CONDUITS TO BUILDING POWER PANEL
 "C" CONDUITS TO JUNCTION BOX BELOW COUNTER
 AND EXTEND ABOVE CEILING TO TELLER AREA.
 SEE DRAWING 99-753.

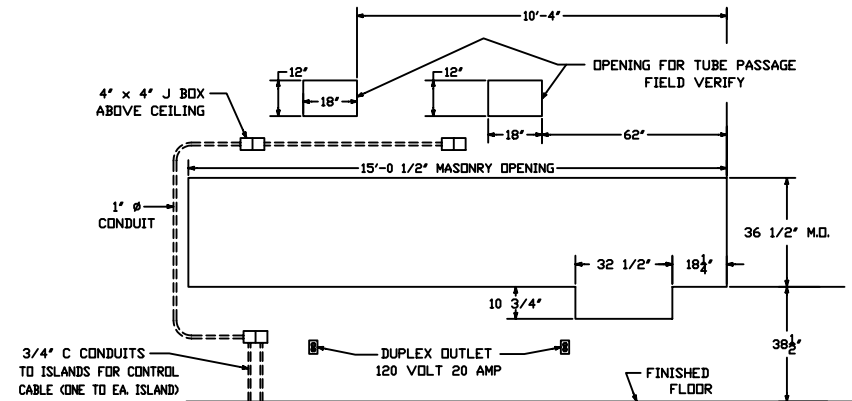


PLAN - INTERIOR

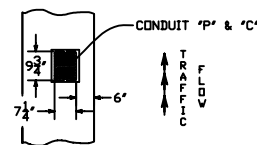


SECTION

REFERENCE DRAWING NUMBER # 99-752 ; 99-753



MASONRY DETAIL
 (FOR MODEL 315D U.L. WINDOW)



ISLAND DETAIL

(ALSO SEE DWG. 99-754)

HAMILTON AIR

MODEL HA-45
 412 SYSTEM - UPSEND
 INTERIOR DETAILS