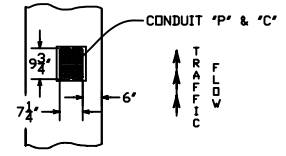
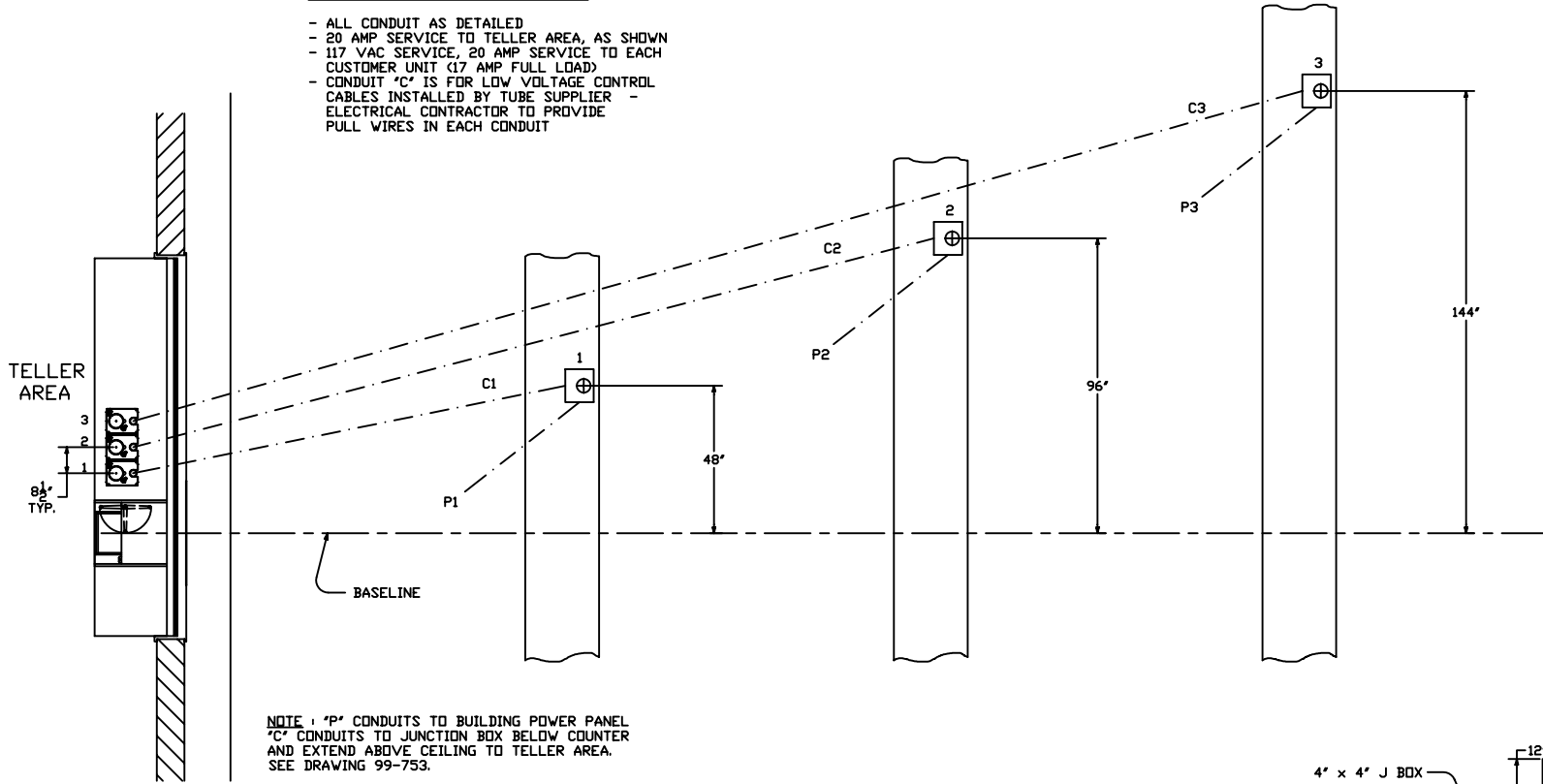


ELECTRICAL CONTRACTOR TO PROVIDE

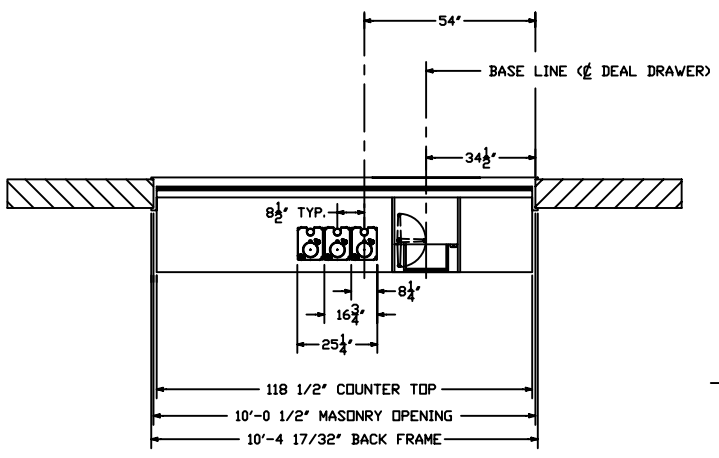
- ALL CONDUIT AS DETAILED
- 20 AMP SERVICE TO TELLER AREA, AS SHOWN
- 117 VAC SERVICE, 20 AMP SERVICE TO EACH CUSTOMER UNIT (17 AMP FULL LOAD)
- CONDUIT 'C' IS FOR LOW VOLTAGE CONTROL CABLES INSTALLED BY TUBE SUPPLIER - ELECTRICAL CONTRACTOR TO PROVIDE PULL WIRES IN EACH CONDUIT



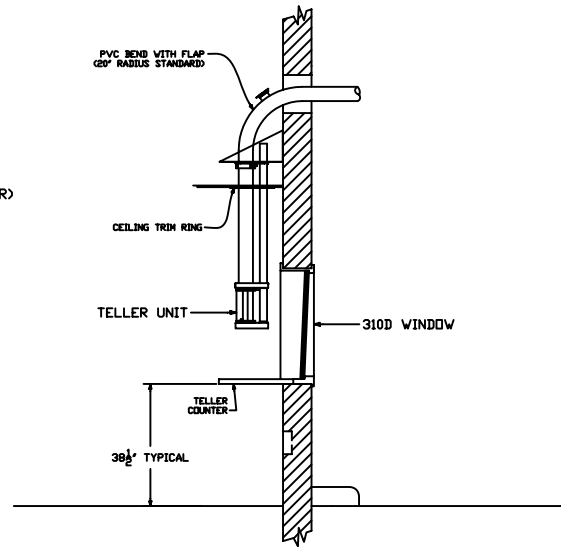
ISLAND DETAIL
(ALSO SEE DWG. 99-754)

NOTE: 'P' CONDUITS TO BUILDING POWER PANEL
'C' CONDUITS TO JUNCTION BOX BELOW COUNTER
AND EXTEND ABOVE CEILING TO TELLER AREA.
SEE DRAWING 99-753.

PLAN

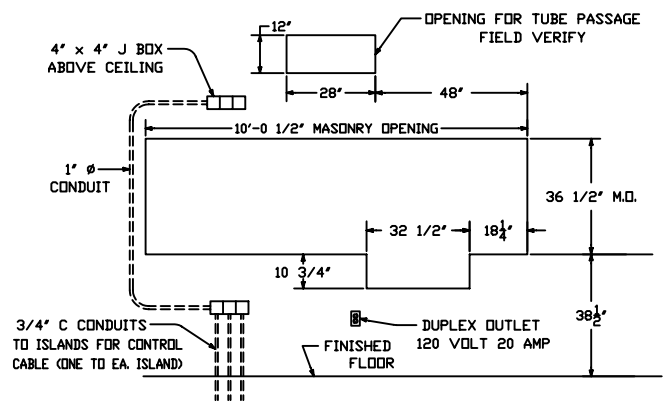


PLAN - INTERIOR



SECTION

REFERENCE DRAWING NUMBER # 99-752 ; 99-753



MASONRY DETAIL
(FOR MODEL 310D U.L. WINDOW)

HAMILTON AIR

MODEL HA-45
312 SYSTEM - UPSEND
INTERIOR DETAILS