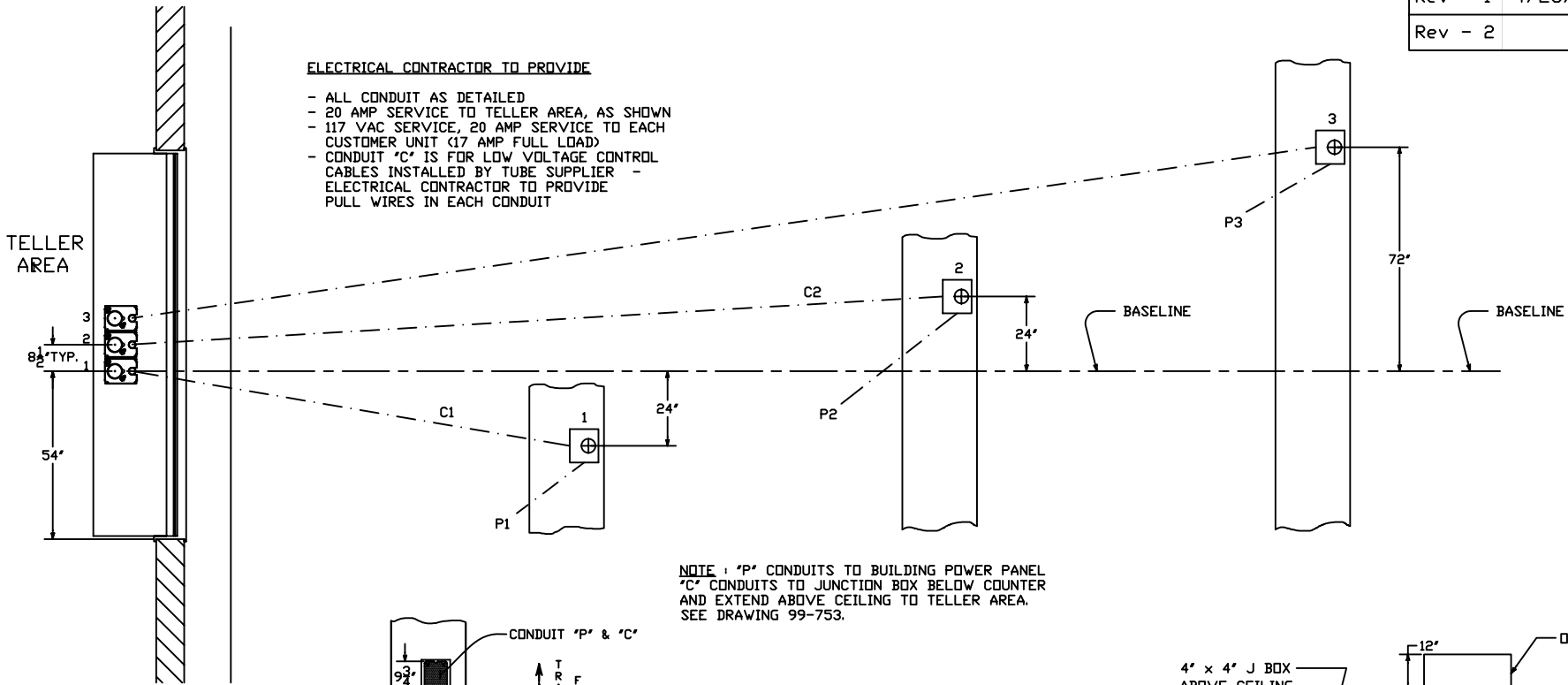
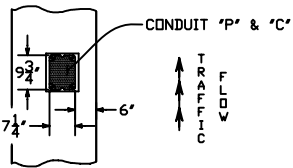


ELECTRICAL CONTRACTOR TO PROVIDE

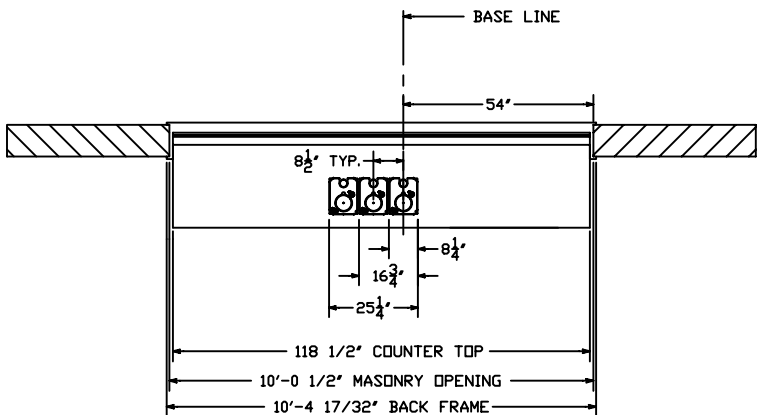
- ALL CONDUIT AS DETAILED
- 20 AMP SERVICE TO TELLER AREA, AS SHOWN
- 117 VAC SERVICE, 20 AMP SERVICE TO EACH CUSTOMER UNIT (17 AMP FULL LOAD)
- CONDUIT "C" IS FOR LOW VOLTAGE CONTROL CABLES INSTALLED BY TUBE SUPPLIER - ELECTRICAL CONTRACTOR TO PROVIDE PULL WIRES IN EACH CONDUIT



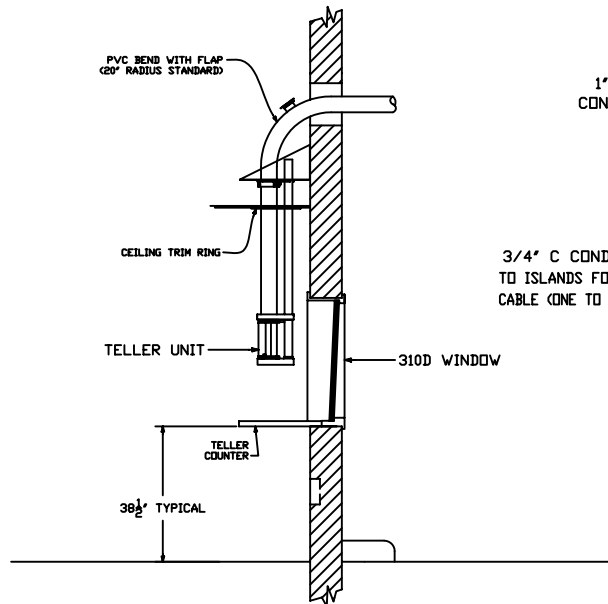
NOTE: "P" CONDUITS TO BUILDING POWER PANEL
 "C" CONDUITS TO JUNCTION BOX BELOW COUNTER AND EXTEND ABOVE CEILING TO TELLER AREA. SEE DRAWING 99-753.



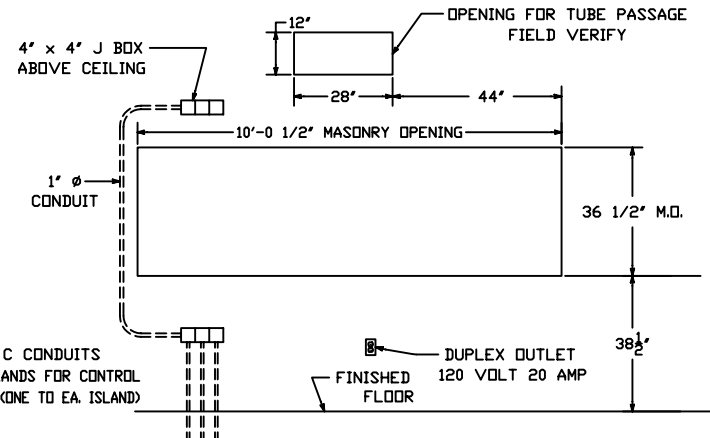
ISLAND DETAIL
 (ALSO SEE DWG. 99-754)



PLAN - INTERIOR



SECTION



MASONRY DETAIL
 (FOR MODEL 310D U.L. WINDOW)

REFERENCE DRAWING NUMBER # 99-752 ; 99-753

HAMILTON AIR

MODEL HA-45
 302 SYSTEM - ATM LANE
 INTERIOR DETAILS