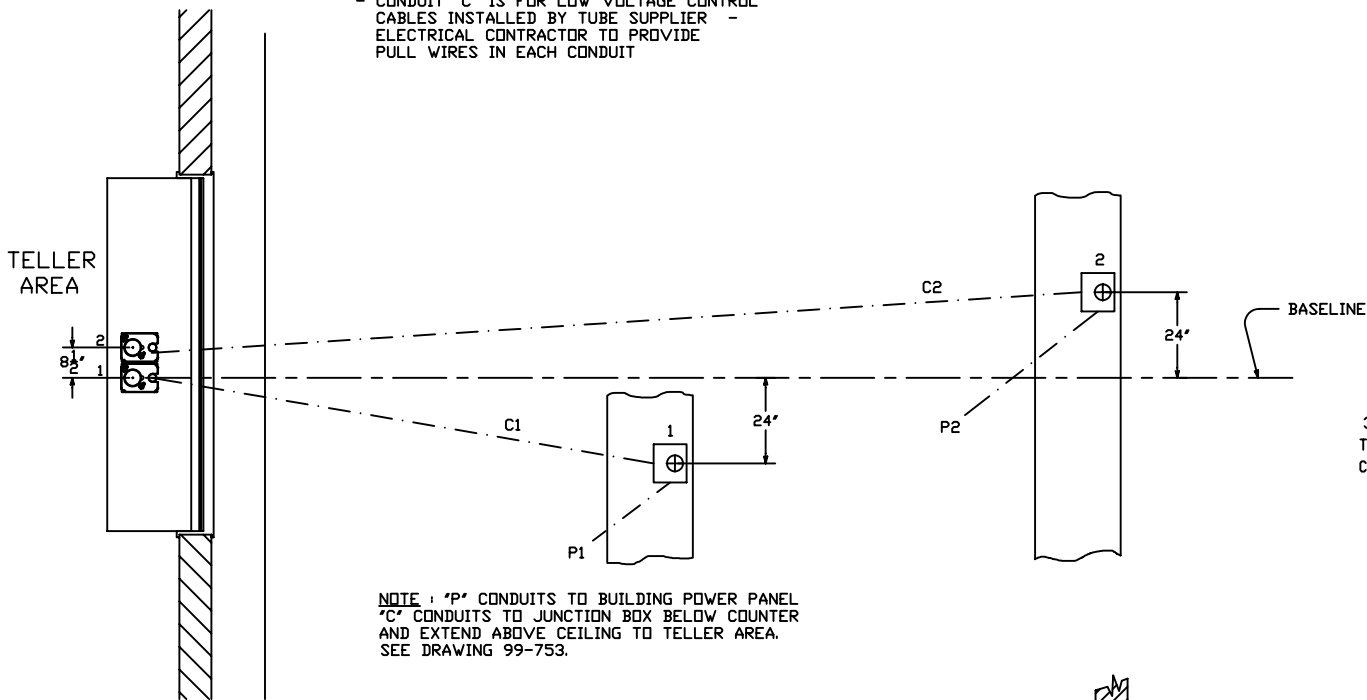


Rev - 1	4/28/05 NEW STYLE TELLER
Rev - 2	

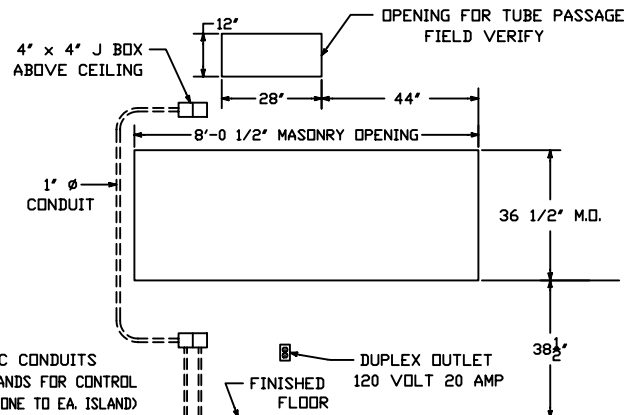
**ELECTRICAL CONTRACTOR TO PROVIDE**

- ALL CONDUIT AS DETAILED
- 20 AMP SERVICE TO TELLER AREA, AS SHOWN
- 117 VAC SERVICE, 20 AMP SERVICE TO EACH CUSTOMER UNIT (17 AMP FULL LOAD)
- CONDUIT 'C' IS FOR LOW VOLTAGE CONTROL CABLES INSTALLED BY TUBE SUPPLIER - ELECTRICAL CONTRACTOR TO PROVIDE PULL WIRES IN EACH CONDUIT

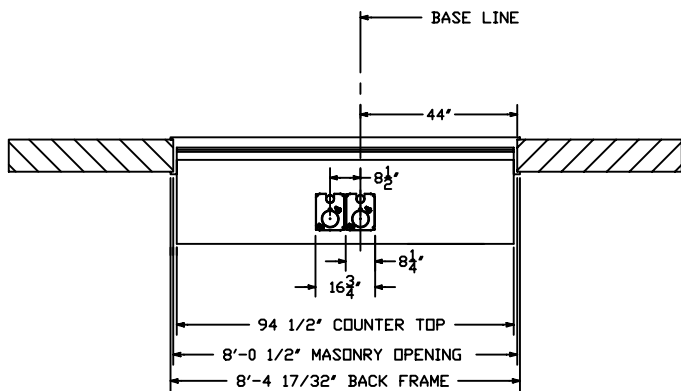


NOTE: 'P' CONDUITS TO BUILDING POWER PANEL  
'C' CONDUITS TO JUNCTION BOX BELOW COUNTER  
AND EXTEND ABOVE CEILING TO TELLER AREA.  
SEE DRAWING 99-753.

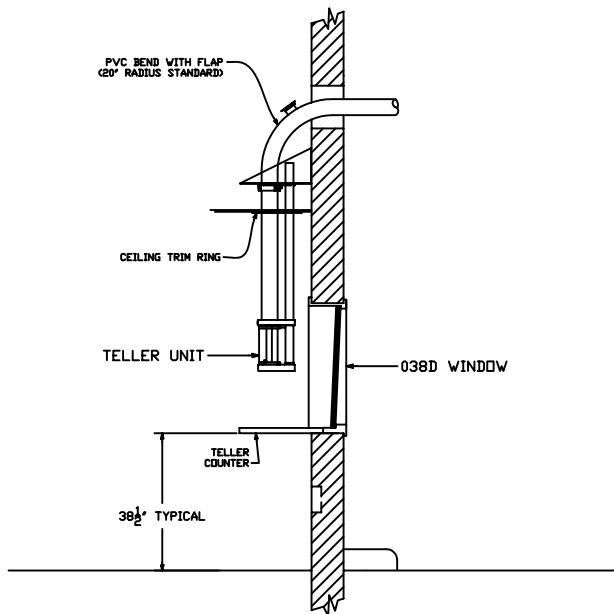
PLAN



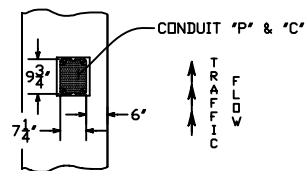
MASONRY DETAIL  
(FOR MODEL 038D U.L. WINDOW)



PLAN - INTERIOR



SECTION



ISLAND DETAIL  
( ALSO SEE DWG. 99-754 )

REFERENCE DRAWING NUMBER # 99-752 ; 99-753

<b>HAMILTON AIR</b>	
MODEL HA-45 202 SYSTEM - ATM LANE INTERIOR DETAILS	
Drawing Number : 99-764	Date : 8/15/01