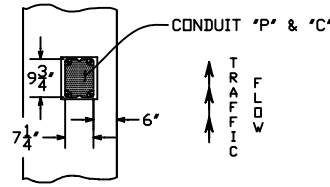
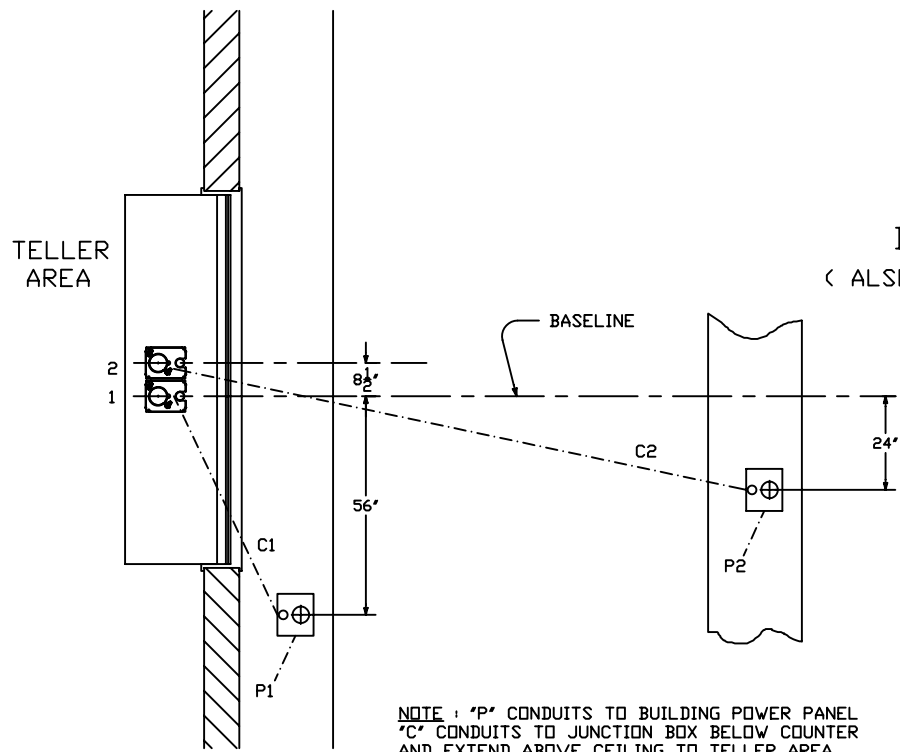


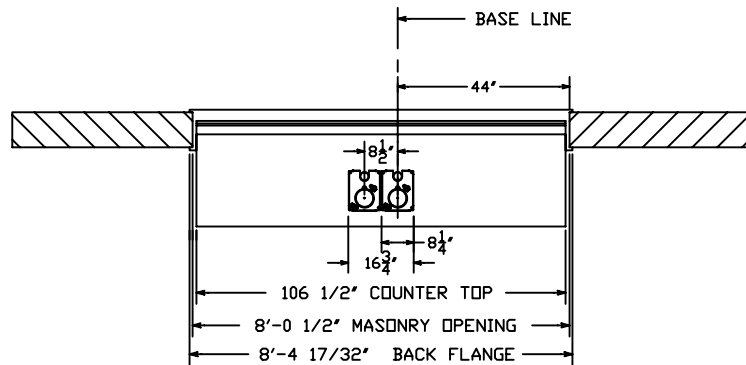
Rev - 1	4/28/05 NEW STYLE TELLER
Rev - 2	



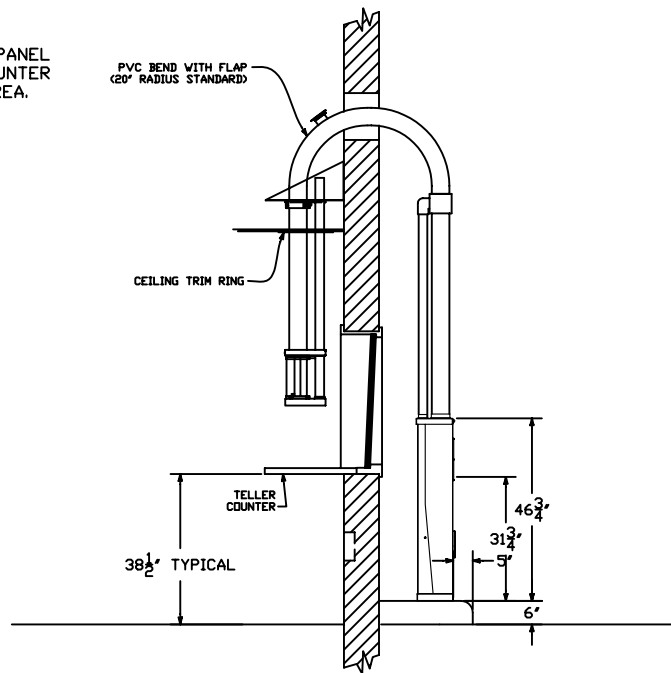
ISLAND DETAIL
(ALSO SEE DWG. 99-754)

NOTE : "P" CONDUITS TO BUILDING POWER PANEL
"C" CONDUITS TO JUNCTION BOX BELOW COUNTER
AND EXTEND ABOVE CEILING TO TELLER AREA.
SEE DRAWING 99-753.

PLAN

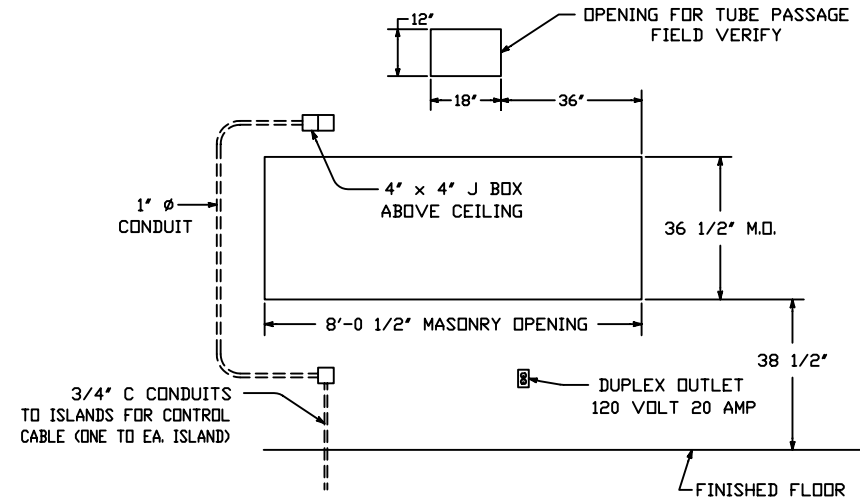


PLAN - INTERIOR



SECTION

REFERENCE DRAWING NUMBER # 99-752 ; 99-753



MASONRY DETAIL
(FOR MODEL 038V U.L. WINDOW)

ELECTRICAL CONTRACTOR TO PROVIDE

- ALL CONDUIT AS DETAILED
- 20 AMP SERVICE TO TELLER AREA, AS SHOWN
- 117 VAC SERVICE, 20 AMP SERVICE TO EACH CUSTOMER UNIT (17 AMP FULL LOAD)
- CONDUIT "C" IS FOR LOW VOLTAGE CONTROL CABLES INSTALLED BY TUBE SUPPLIER - ELECTRICAL CONTRACTOR TO PROVIDE PULL WIRES IN EACH CONDUIT

HAMILTON AIR

MODEL HA-45
202 SYSTEM - UPSEND
INTERIOR DETAILS

Drawing Number : 99-762 | Date : 8/15/01