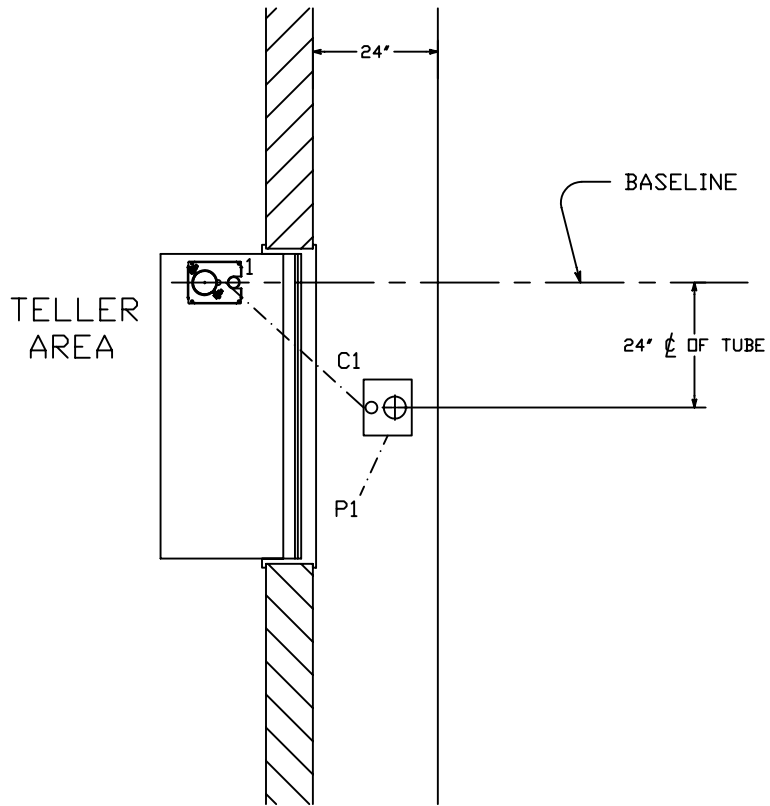
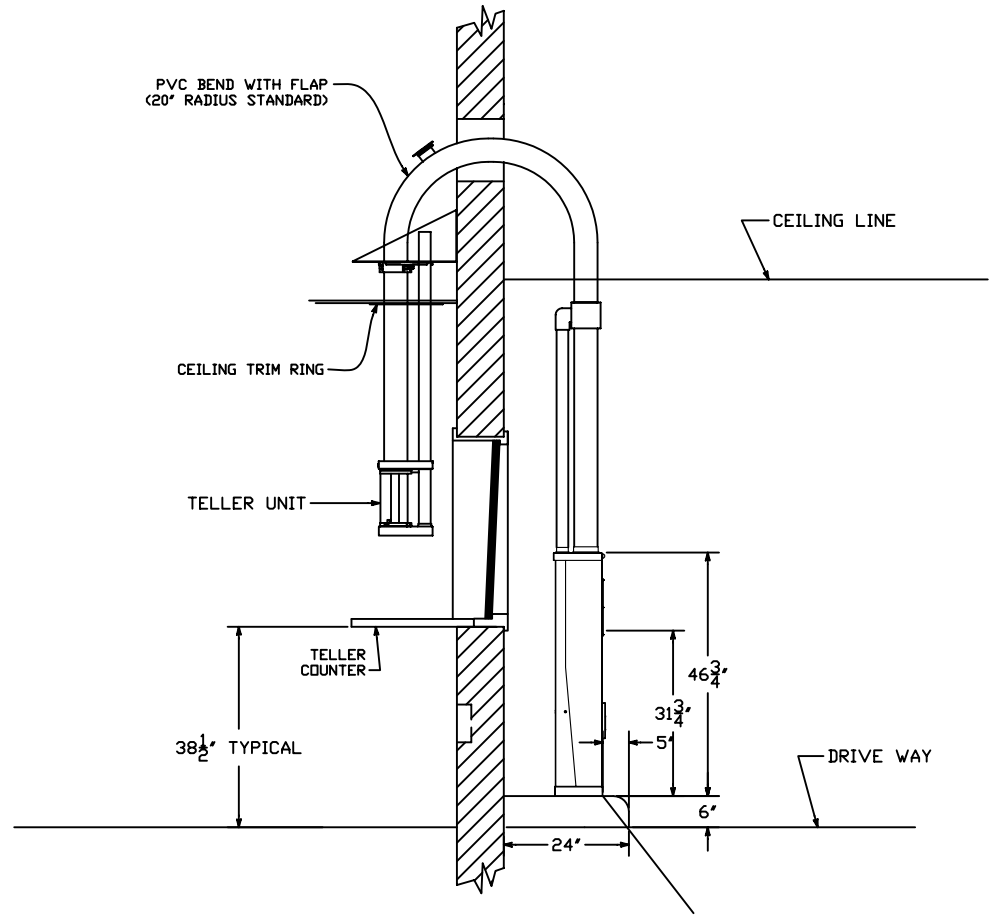


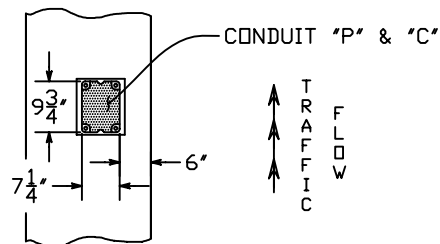
Rev - 1	4/28/05 NEW STYLE TELLER
Rev - 2	



PLAN



SECTION



ISLAND DETAIL
(ALSO SEE DWG. 99-754)

HAMILTON AIR

MODEL HA-45
101 SYSTEM - UPSEND
INTERIOR DETAILS