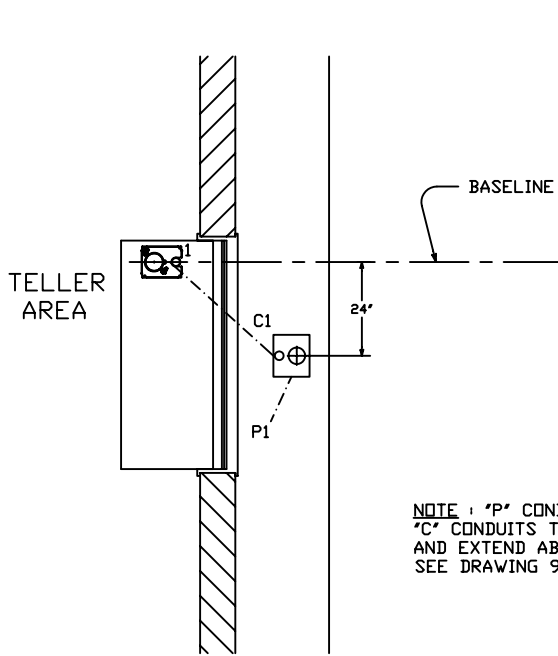
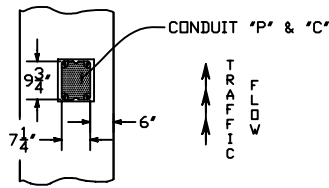


Rev - 1	4/28/05 NEW STYLE TELLER
Rev - 2	

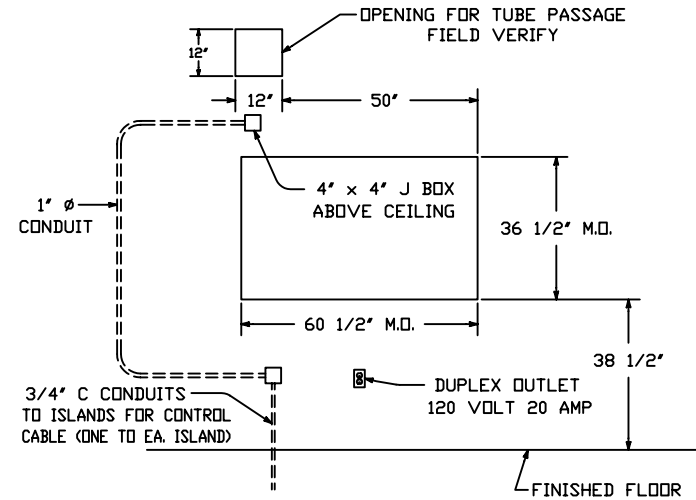


PLAN

NOTE: 'P' CONDUITS TO BUILDING POWER PANEL
'C' CONDUITS TO JUNCTION BOX BELOW COUNTER
AND EXTEND ABOVE CEILING TO TELLER AREA.
SEE DRAWING 99-753.



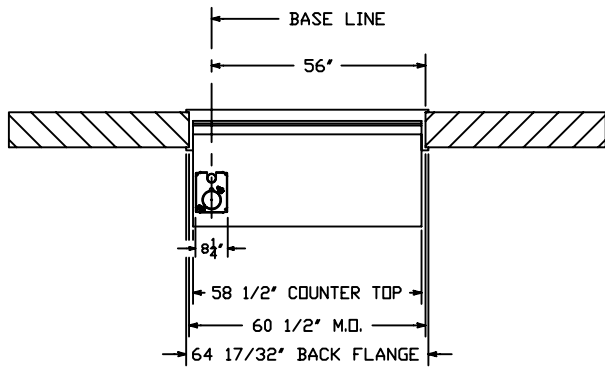
ISLAND DETAIL
(ALSO SEE DWG. 99-754)



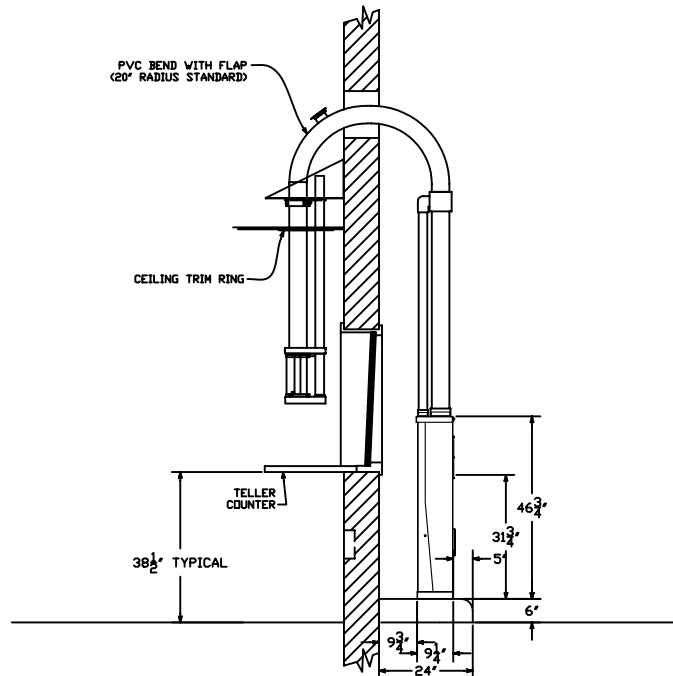
MASONRY DETAIL
(FOR MODEL 035V U.L. WINDOW)

ELECTRICAL CONTRACTOR TO PROVIDE

- ALL CONDUIT AS DETAILED
- 20 AMP SERVICE TO TELLER AREA, AS SHOWN
- 117 VAC SERVICE, 20 AMP SERVICE TO EACH CUSTOMER UNIT (17 AMP FULL LOAD)
- CONDUIT 'C' IS FOR LOW VOLTAGE CONTROL CABLES INSTALLED BY TUBE SUPPLIER - ELECTRICAL CONTRACTOR TO PROVIDE PULL WIRES IN EACH CONDUIT



PLAN - INTERIOR



SECTION

REFERENCE DRAWING NUMBER # 99-752 ; 99-753

HAMILTON AIR	
MODEL HA-45	
101 SYSTEM - UPSEND	
Drawing Number : 99-756	Date : 8/15/01