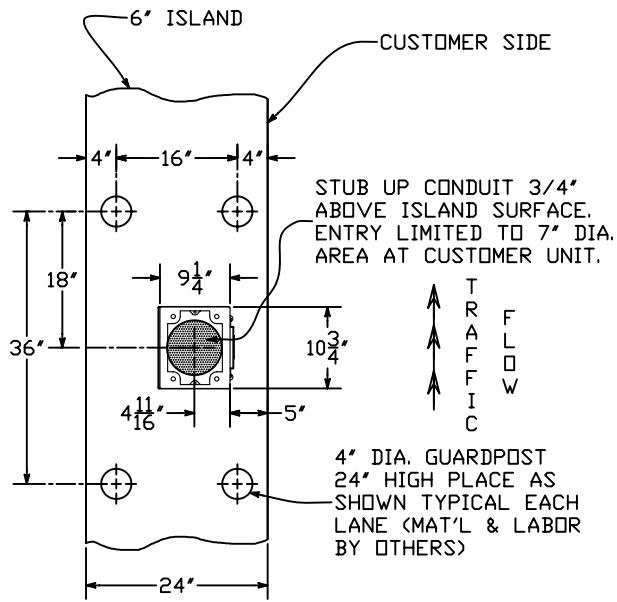
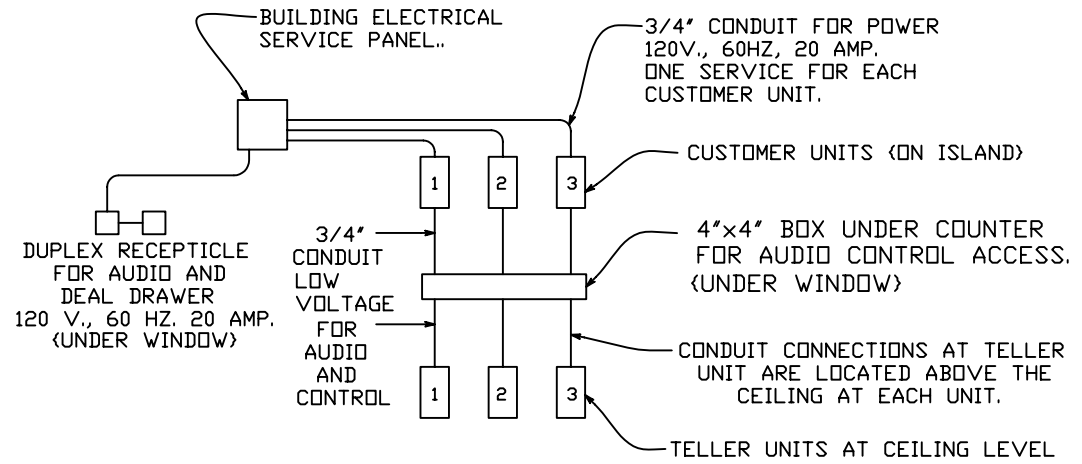


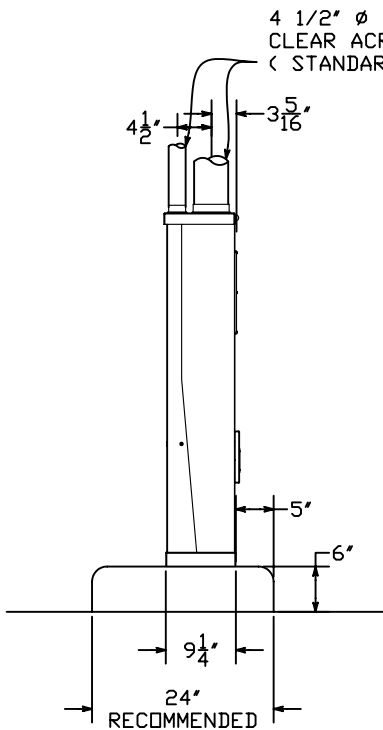
Rev - 1	3/16/11 20amp Power
Rev - 2	



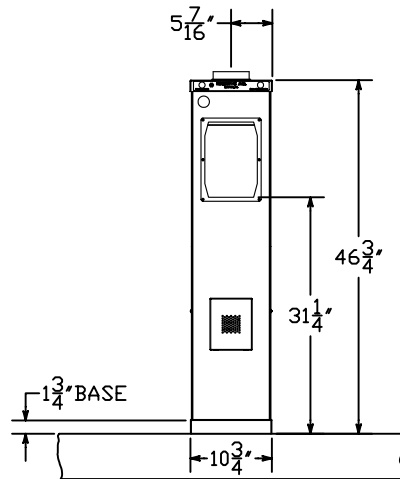
UNDERGROUND CONDUIT ENTRY



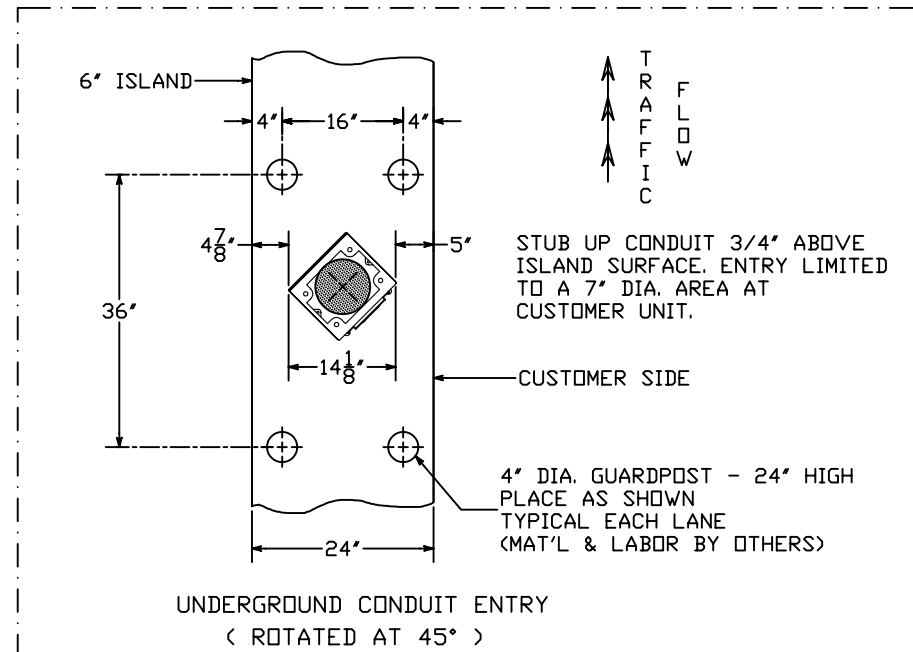
CONDUIT DETAIL
3 SYSTEMS SHOWN



LEFT SIDE ELEVATION



FRONT ELEVATION



HAMILTON AIR

MODEL HA-45
UPSEND
CUSTOMER UNIT