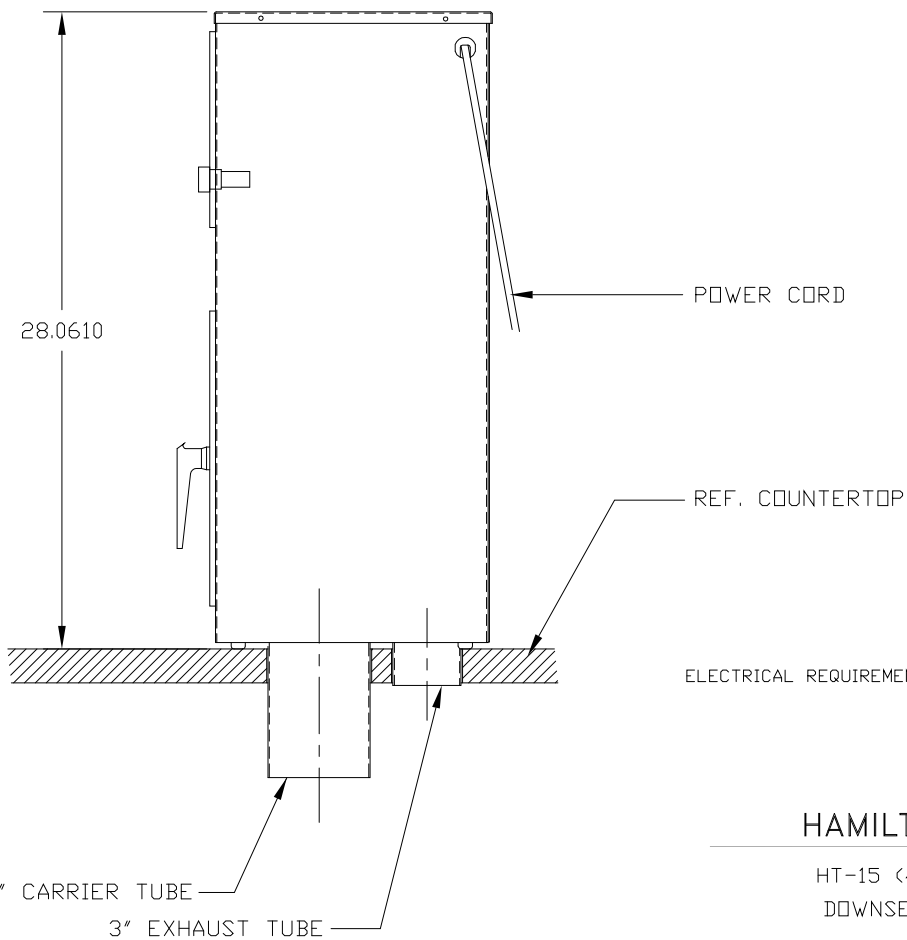
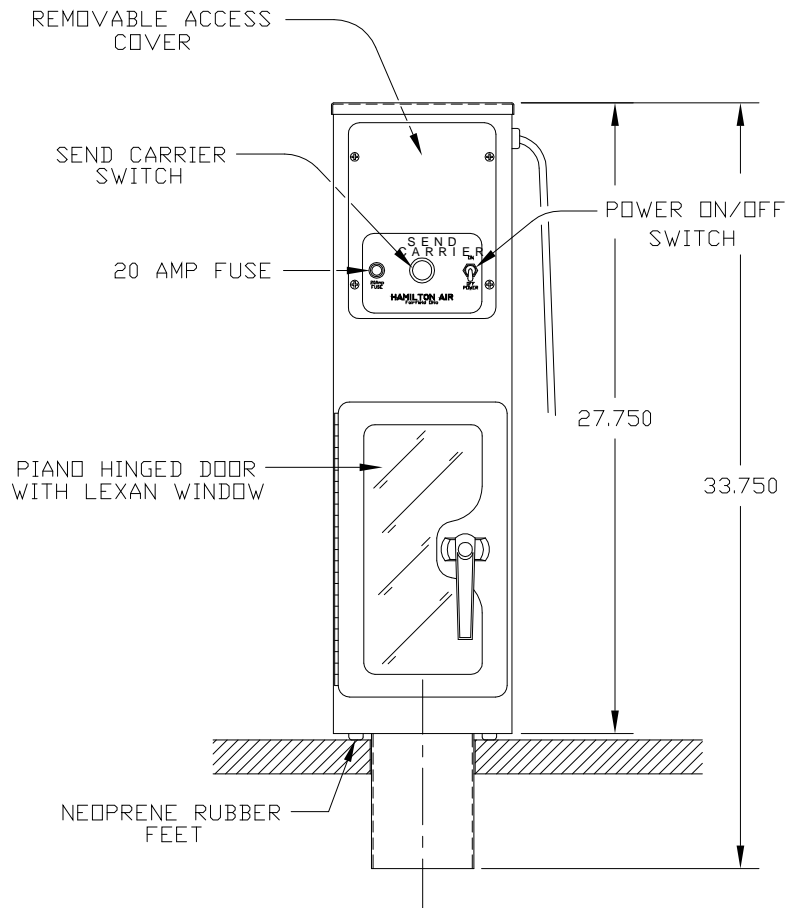
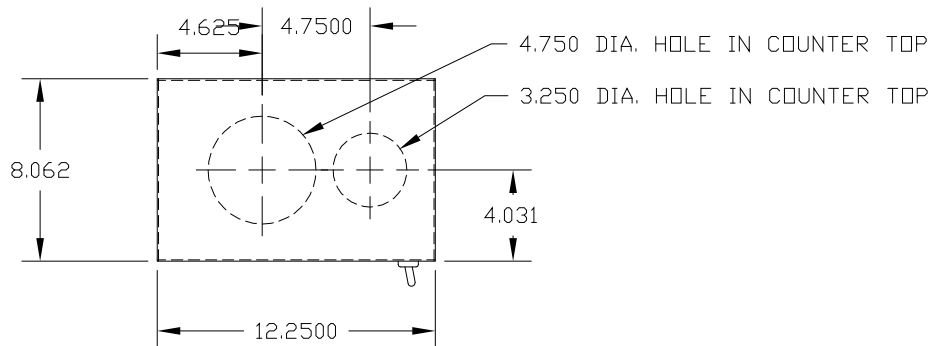


NOTE : FOR BURIED TUBE INSTALLATION
SEE DRAWING NUMBER : 99-803

NOTE: FOR RUNS OVER 300 FT. A
LONG RUN TIMER IS REQUIRED
MAXIMUM RUN LENGTH IS 1500 FT.



ELECTRICAL REQUIREMENTS: 115 VOLT
60 HZ
20 AMP EACH END

HAMILTON AIR

HT-15 (4-1/2" TUBE)
DOWNSEND VERSION