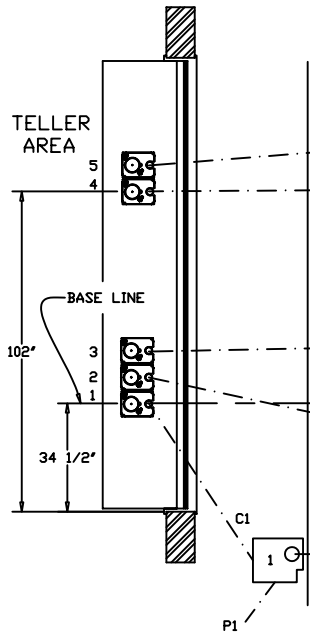
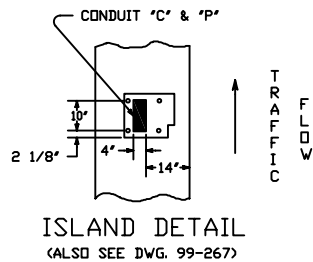


ELECTRICAL CONTRACTOR TO PROVIDE

- ALL CONDUIT AS DETAILED
- 20 AMP SERVICE TO TELLER AREA, AS SHOWN
- 117 VAC SERVICE, 20 AMP SERVICE TO EACH CUSTOMER UNIT (17 AMP FULL LOAD)
- CONDUIT "C" IS FOR LOW VOLTAGE CONTROL CABLES INSTALLED BY TUBE SUPPLIER - ELECTRICAL CONTRACTOR TO PROVIDE PULL WIRES IN EACH CONDUIT

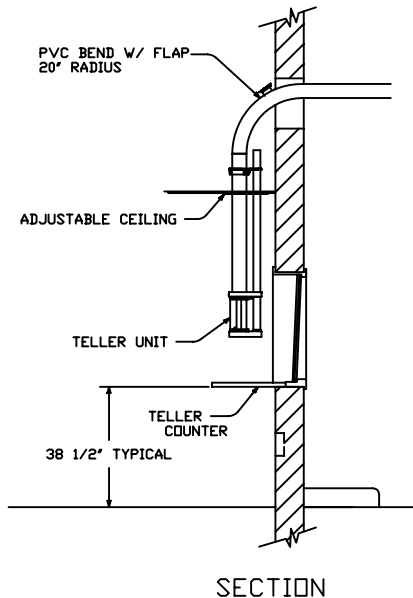


PLAN

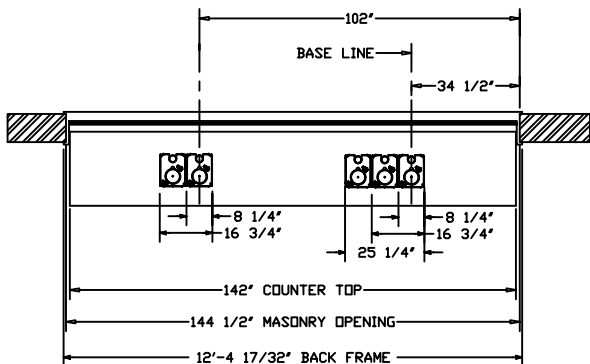


ISLAND DETAIL
(ALSO SEE DWG. 99-267)

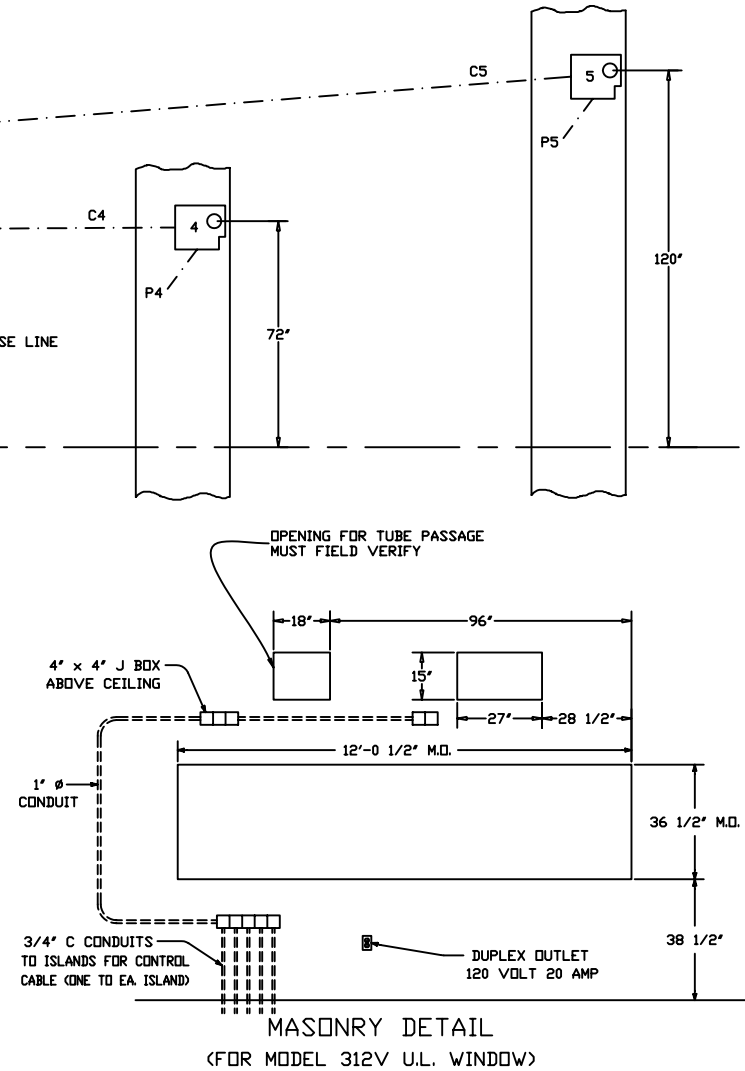
NOTE: "P" CONDUITS TO BUILDING POWER PANEL
"C" CONDUITS TO JUNCTION BOX BELOW COUNTER
AND EXTEND ABOVE CEILING TO TELLER AREA.
SEE DRAWING 99-266.



SECTION



PLAN - INTERIOR



MASONRY DETAIL
(FOR MODEL 312V U.L. WINDOW)

REV.-1	DATE: 8-23-99	CHGD BEND FROM 24" TO 20" RADIUS
REV.-2	DATE: 4/28/05	NEW STYLE TELLER
REV.-3	DATE:	

HAMILTON AIR
MODEL HA-1000 UPSEND
503 SYSTEM WITH A 312V
INTERIOR DETAILS

Drawing Number : 99-715 | Date : 1/19/98