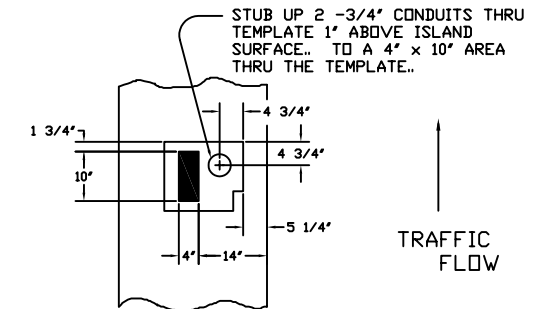


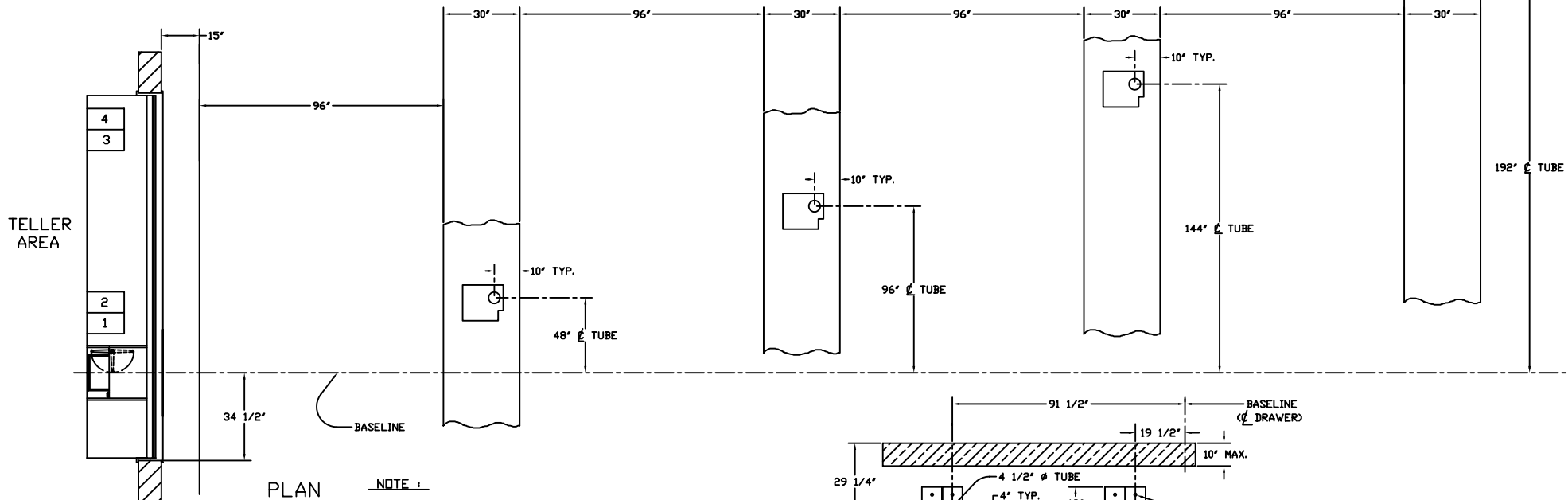
SECTION

GENERAL CONTRACTOR TO PROVIDE:

- TRENCH AS SHOWN WITH 6" SAND BASE
- LOCATION & INSTALLTION OF TEMPLATE
- 18" SAND BACKFILL OVER TUBES (SAND TO BE ON SITE PRIOR TO ARRIVAL OF TUBE INSTALLER)
- DEBRIS FREE BACKFILL OVER SAND AS REQUIRED
- ALL MASONRY OPENING & FINISH OF OPENING AFTER TUBE INSTALLATION
- ALL NECESSARY CONCRETE & MASONRY WORK
- ALL NECESSARY ELECTRICAL APPARATUS & WIRING AS PER DRAWING No. 99-352



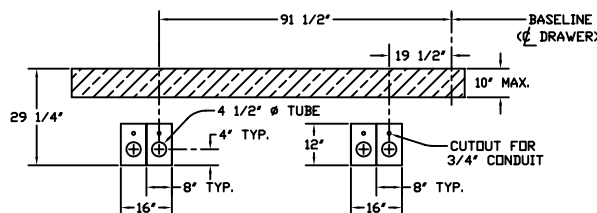
CUSTOMER UNIT TEMPLATE
(ALSO SEE DWG. 99-350)



PLAN

NOTE:

- SET ϕ OF TEMPLATE 1 ON BASELINE
- TEMPLATES BOLT TOGETHER FOR PROPER SPACING
- HOLD TEMPLATES SQUARE WITH WALL
- TOP OF METAL TEMPLATE TO BE SET AT FINISHED FLOOR GRADE



TELLER TEMPLATE

| | | |
|--------|---------------|----------------------------------|
| REV.-1 | DATE: 8-23-99 | CHGD BEND FROM 24" to 30" RADIUS |
| REV.-2 | DATE: | |
| REV.-3 | DATE: | |

HAMILTON AIR

MODEL HA-1000-D
412 SYSTEM - DOWNSEND
W/ 12'-0" WINDOW