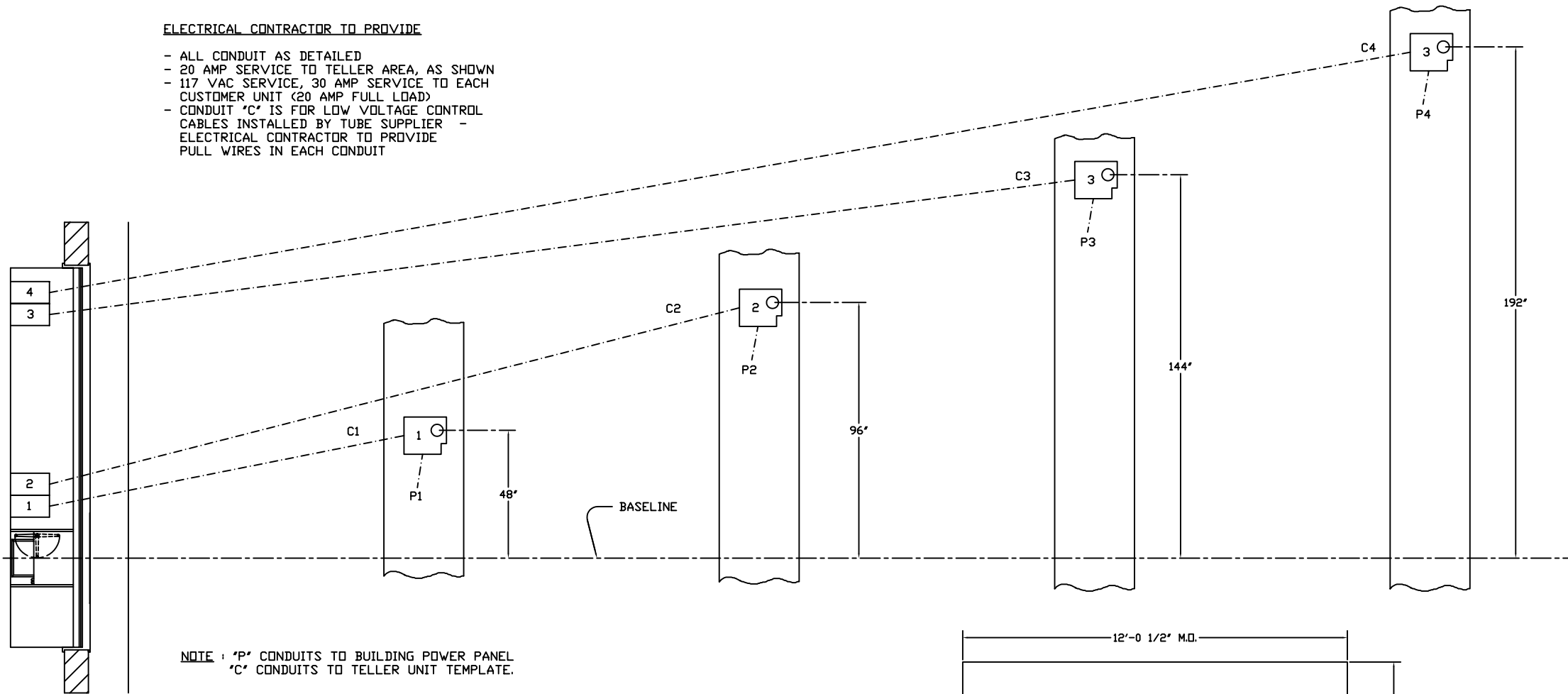


ELECTRICAL CONTRACTOR TO PROVIDE

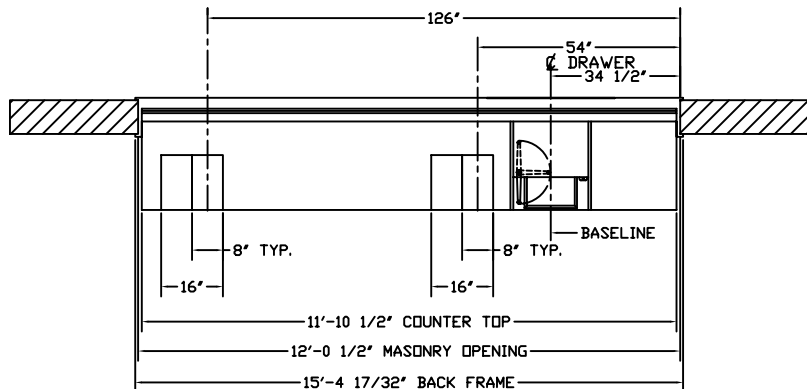
- ALL CONDUIT AS DETAILED
- 20 AMP SERVICE TO TELLER AREA, AS SHOWN
- 117 VAC SERVICE, 30 AMP SERVICE TO EACH CUSTOMER UNIT (20 AMP FULL LOAD)
- CONDUIT 'C' IS FOR LOW VOLTAGE CONTROL CABLES INSTALLED BY TUBE SUPPLIER - ELECTRICAL CONTRACTOR TO PROVIDE PULL WIRES IN EACH CONDUIT

TELLER AREA

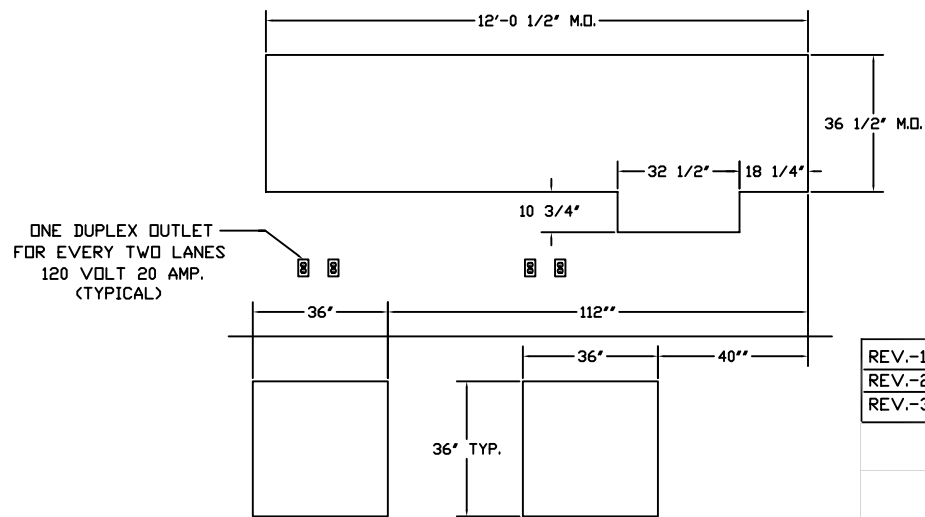


NOTE : 'P' CONDUITS TO BUILDING POWER PANEL
'C' CONDUITS TO TELLER UNIT TEMPLATE.

PLAN



PLAN - INTERIOR



MASONRY DETAIL
(FOR MODEL 312D U.L. WINDOW)

REV.-1	DATE: 8-23-99	REPLACED DEAL DRAWER WITH 400 DD
REV.-2	DATE:	
REV.-3	DATE:	

HAMILTON AIR
MODEL HA-1000-D
412 SYSTEM - DOWNSEND
W/ 12'-0" WINDOW
INTERIOR DETAILS