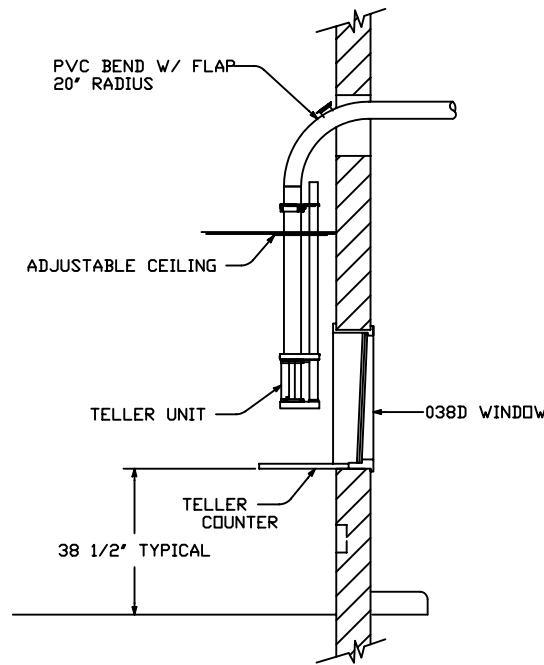
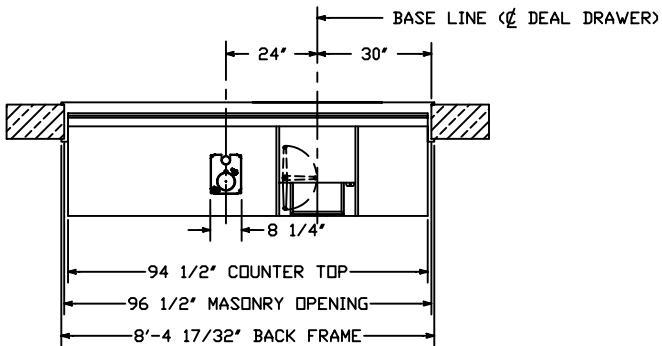


PLAN

NOTE: 'P' CONDUITS TO BUILDING POWER PANEL
'C' CONDUITS TO JUNCTION BOX BELOW COUNTER
AND EXTEND ABOVE CEILING TO TELLER AREA.
SEE DRAWING 99-266.



ELECTRICAL CONTRACTOR TO PROVIDE

- ALL CONDUIT AS DETAILED
- 20 AMP SERVICE TO TELLER AREA, AS SHOWN
- 117 VAC SERVICE, 20 AMP SERVICE TO EACH CUSTOMER UNIT (17 AMP FULL LOAD)
- CONDUIT 'C' IS FOR LOW VOLTAGE CONTROL CABLES INSTALLED BY TUBE SUPPLIER - ELECTRICAL CONTRACTOR TO PROVIDE PULL WIRES IN EACH CONDUIT

REV.-1	DATE: 8-23-99	CHGD BEND FROM 24" TO 20" RADIUS
REV.-2	DATE: 4/28/05	NEW STYLE TELLER
REV.-3	DATE:	

HAMILTON AIR

MODEL HA-1000
112 SYSTEM - UPSEND WITH
8'-0" WINDOW - INT. DETAILS