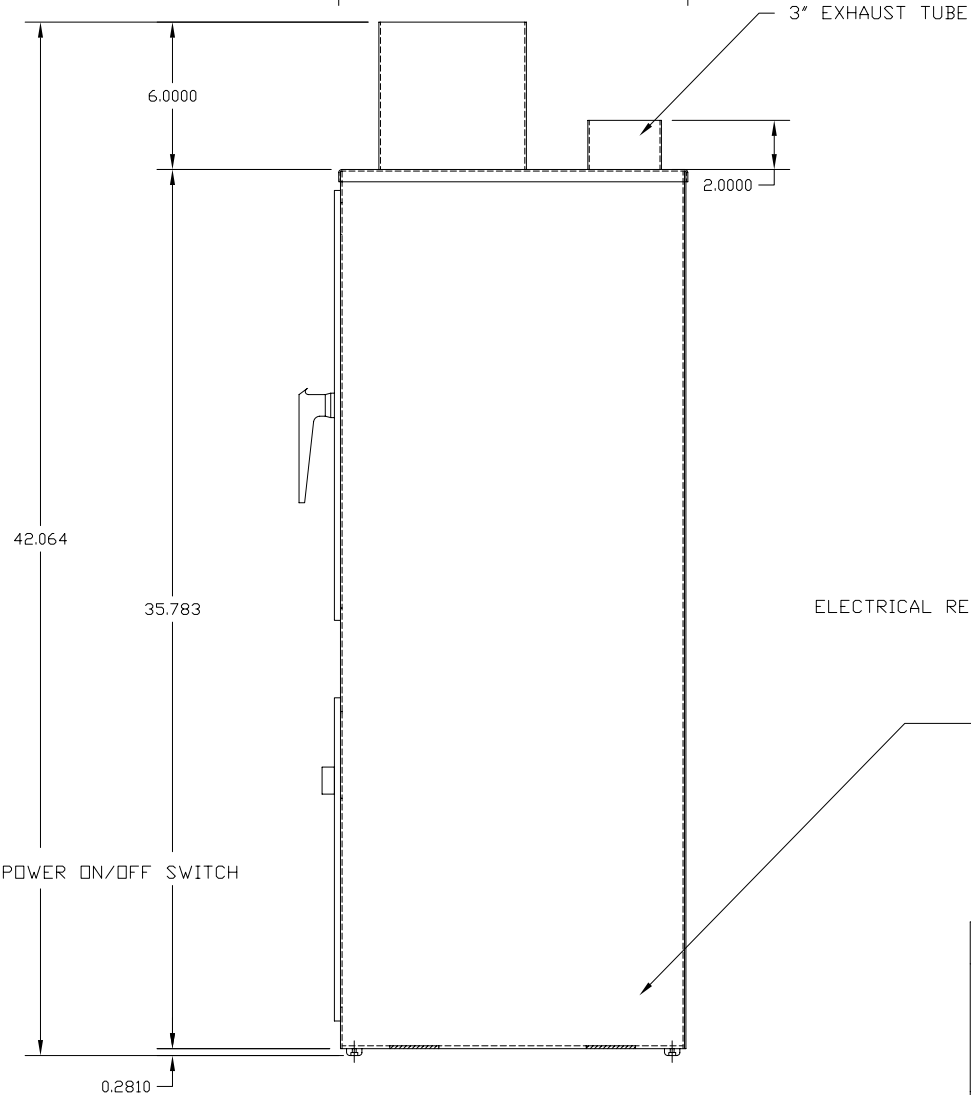
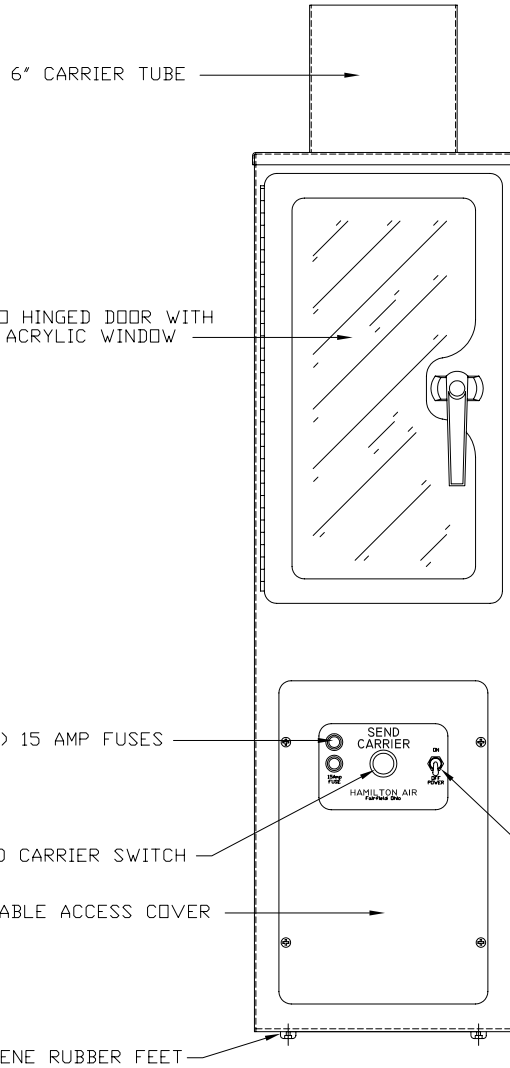
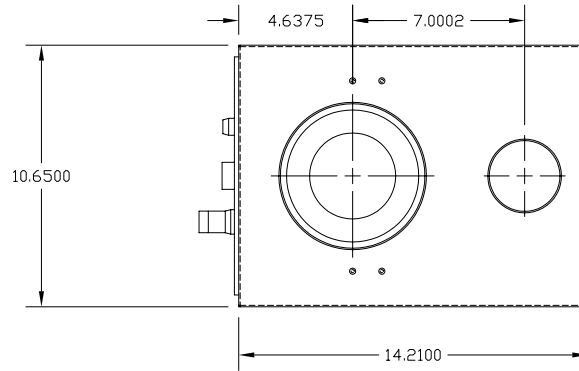


Rev - 1	10/11/01 ADDED LONG RUN NOTE.
Rev - 2	

NOTE: FOR RUNS OVER 300 FT. A
LONG RUN TIMER IS REQUIRED
MAXIMUM RUN LENGTH IS 1500 FT.



ELECTRICAL REQUIREMENTS: 115 VOLTS
60 HZ
30 AMP EACH END

SUPPLIED WITH
TWIST-LOCK PLUG
NEMA # L5-30

HAMILTON AIR	
HT 15 (6" TUBE)	
Drawing Number : 99-525	Date : MAR 1 94