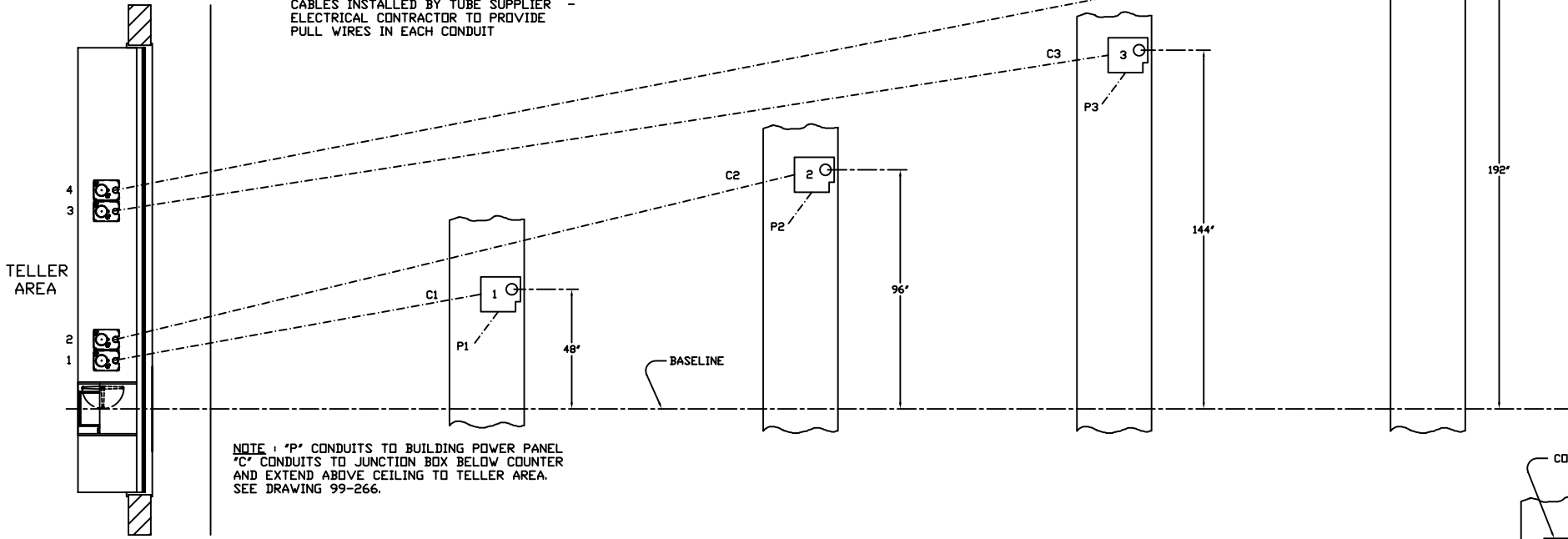


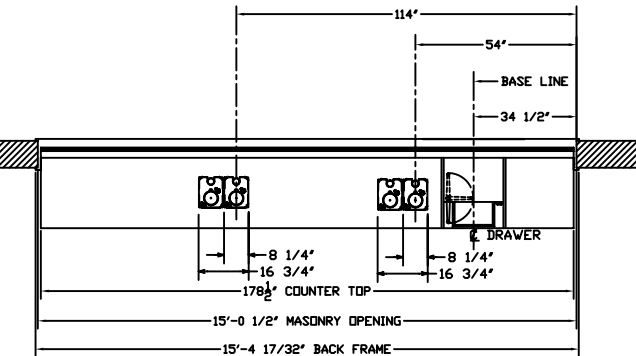
**ELECTRICAL CONTRACTOR TO PROVIDE**

- ALL CONDUIT AS DETAILED
- 20 AMP SERVICE TO TELLER AREA, AS SHOWN
- 117 VAC SERVICE, 20 AMP SERVICE TO EACH CUSTOMER UNIT (17 AMP FULL LOAD)
- CONDUIT "C" IS FOR LOW VOLTAGE CONTROL CABLES INSTALLED BY TUBE SUPPLIER - ELECTRICAL CONTRACTOR TO PROVIDE PULL WIRES IN EACH CONDUIT

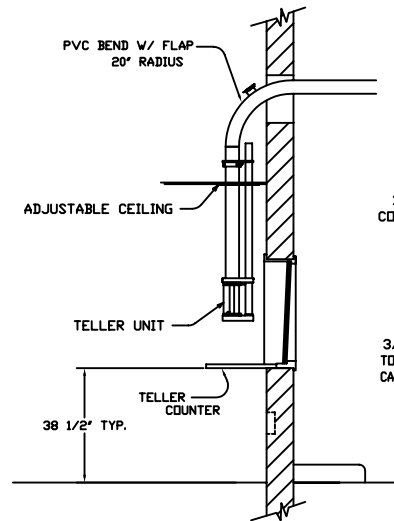


**NOTE:** "P" CONDUITS TO BUILDING POWER PANEL  
 "C" CONDUITS TO JUNCTION BOX BELOW COUNTER  
 AND EXTEND ABOVE CEILING TO TELLER AREA.  
 SEE DRAWING 99-266.

PLAN

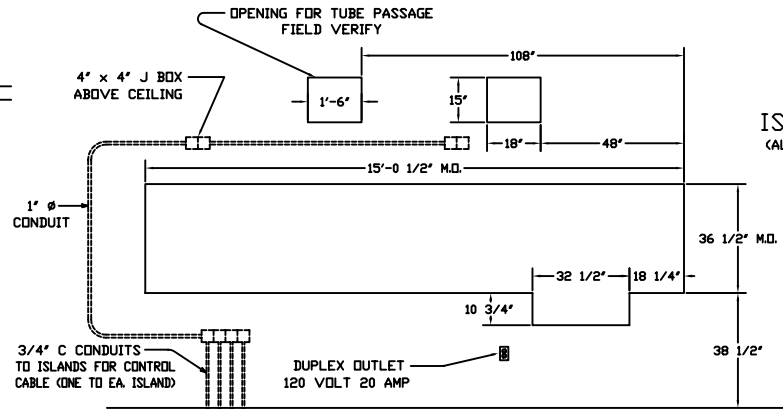


PLAN - INTERIOR

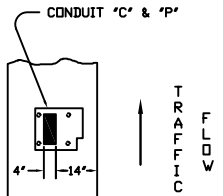


SECTION

REFERENCE DRAWING NUMBER #99-265 ; 99-266



MASONRY DETAIL  
 (FOR MODEL 315D U.L. WINDOW)



ISLAND DETAIL  
 (ALSO SEE DWG. 99-267)

**HAMILTON AIR**  
 MODEL HA-1000  
 413 SYSTEM - UPSEND  
 INTERIOR DETAILS

REV.-1	DATE: 8-23-99	CHGD BEND FROM 24" TO 20" RADIUS
REV.-2	DATE: 10-27-00	CHANGED COUNTER TOP DIMENSION.
REV.-3	DATE: 4/28/05	NEW STYLE TELLER

Drawing Number : 99-516      Date : 4-2-93