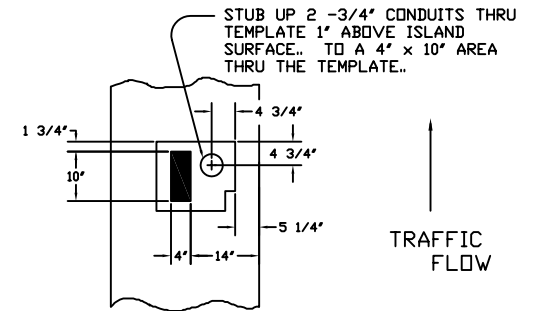


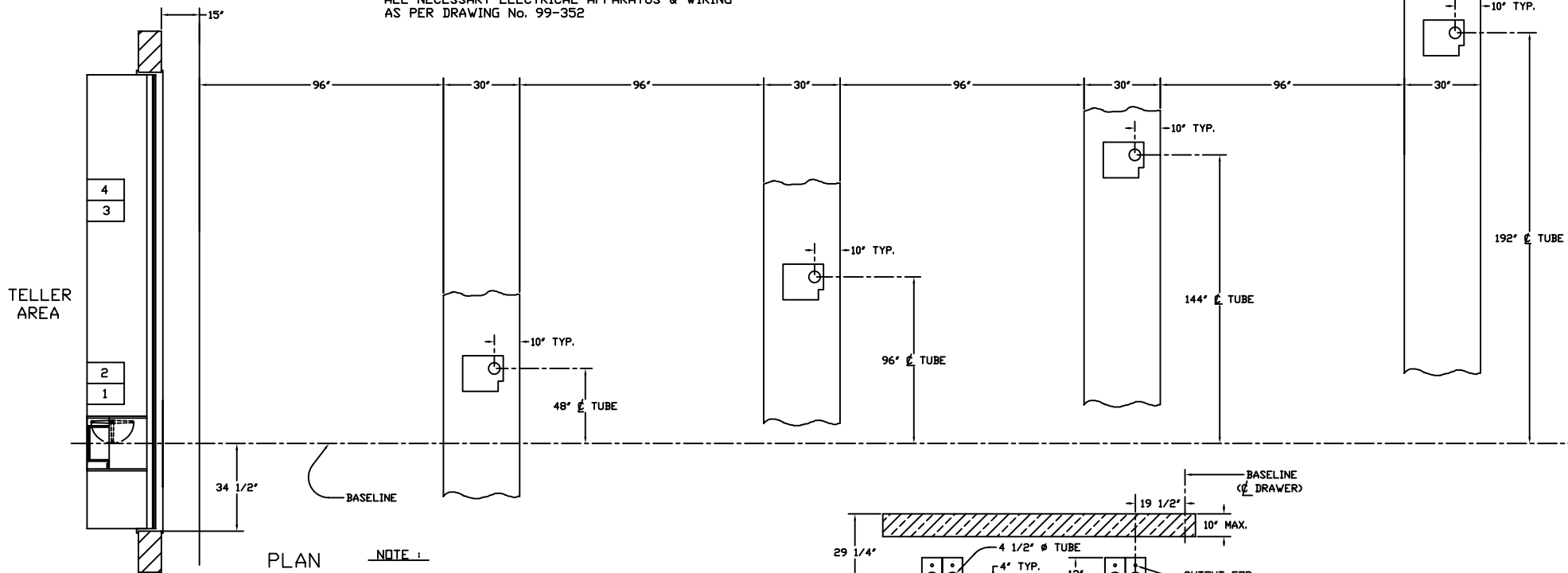
SECTION

GENERAL CONTRACTOR TO PROVIDE:

- TRENCH AS SHOWN WITH 6" SAND BASE
- LOCATION & INSTALLTION OF TEMPLATE
- 18" SAND BACKFILL OVER TUBES (SAND TO BE ON SITE PRIOR TO ARRIVAL OF TUBE INSTALLER)
- DEBRIS FREE BACKFILL OVER SAND AS REQUIRED
- ALL MASONRY OPENING & FINISH OF OPENING AFTER TUBE INSTALLATION
- ALL NECESSARY CONCRETE & MASONRY WORK
- ALL NECESSARY ELECTRICAL APPARATUS & WIRING AS PER DRAWING No. 99-352



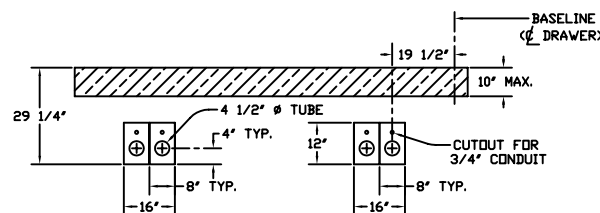
CUSTOMER UNIT TEMPLATE  
(ALSO SEE DWG. 99-350)



PLAN

NOTE:

- SET  $\phi$  OF TEMPLATE 1 ON BASELINE
- TEMPLATES BOLT TOGETHER FOR PROPER SPACING
- HOLD TEMPLATES SQUARE WITH WALL
- TOP OF METAL TEMPLATE TO BE SET AT FINISHED FLOOR GRADE



TELLER TEMPLATE

REV.-1	DATE: 8-23-99	CHGD BEND FROM 24" TO 30" RADIUS
REV.-2	DATE:	
REV.-3	DATE:	

**HAMILTON AIR**  
MODEL HA-1000-D  
413 SYSTEM - DOWNSEND