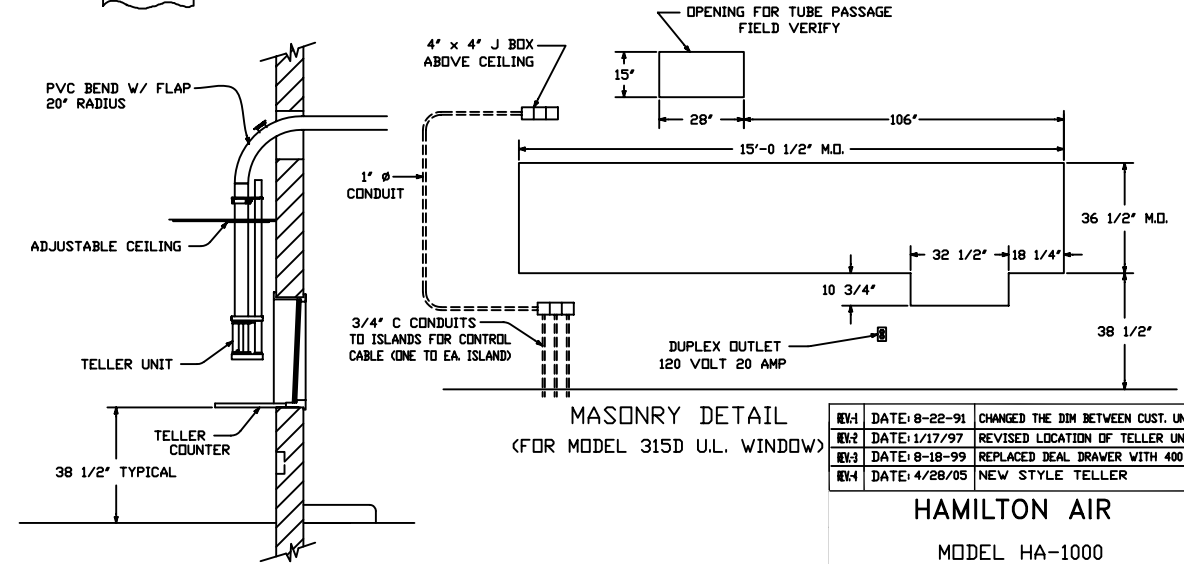
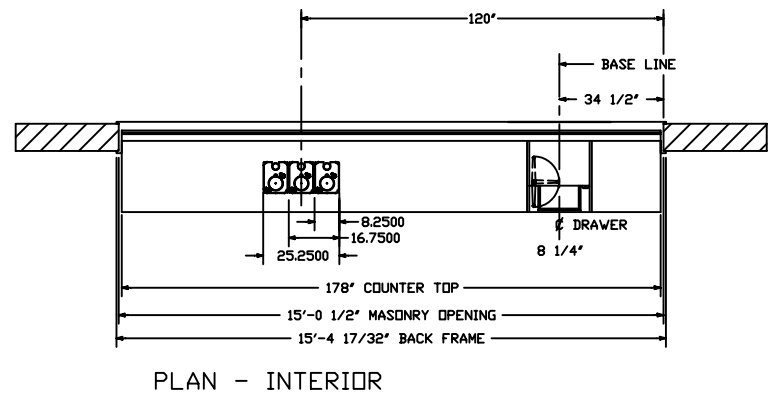
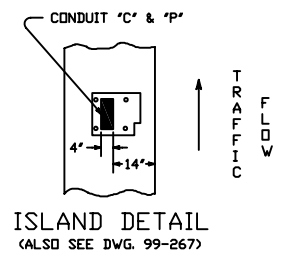


ELECTRICAL CONTRACTOR TO PROVIDE

- ALL CONDUIT AS DETAILED
- 20 AMP SERVICE TO TELLER AREA, AS SHOWN
- 117 VAC SERVICE, 20 AMP SERVICE TO EACH CUSTOMER UNIT (17 AMP FULL LOAD)
- CONDUIT 'C' IS FOR LOW VOLTAGE CONTROL CABLES INSTALLED BY TUBE SUPPLIER
- ELECTRICAL CONTRACTOR TO PROVIDE PULL WIRES IN EACH CONDUIT

NOTE: 'P' CONDUITS TO BUILDING POWER PANEL
'C' CONDUITS TO JUNCTION BOX BELOW COUNTER AND EXTEND ABOVE CEILING TO TELLER AREA. SEE DRAWING 99-266.



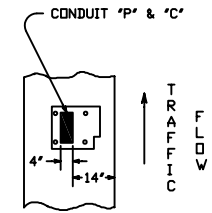
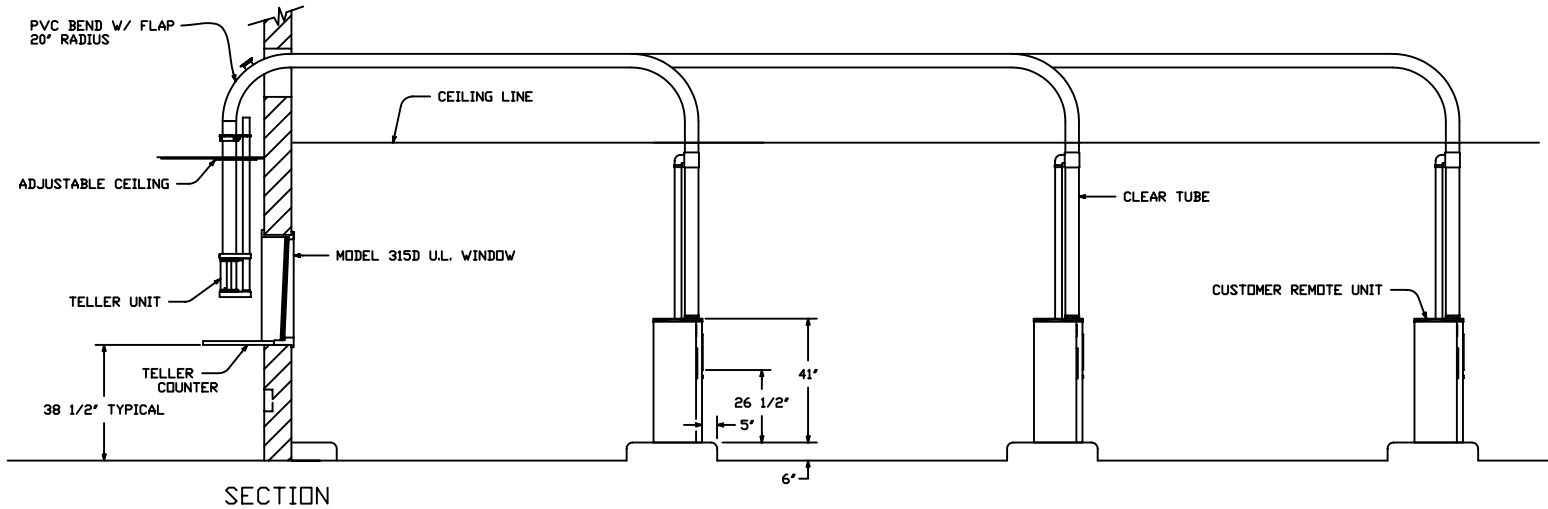
MASONRY DETAIL
(FOR MODEL 315D U.L. WINDOW)

REV1	DATE: 8-22-91	CHANGED THE DIM BETWEEN CUST. UNITS
REV2	DATE: 1/17/97	REVISED LOCATION OF TELLER UNITS
REV3	DATE: 8-18-99	REPLACED DEAL DRAWER WITH 400 DD
REV4	DATE: 4/28/05	NEW STYLE TELLER

HAMILTON AIR
MODEL HA-1000
312 SYSTEM - UPSEND
INT. DETAILS-WITH 315D WINDOW

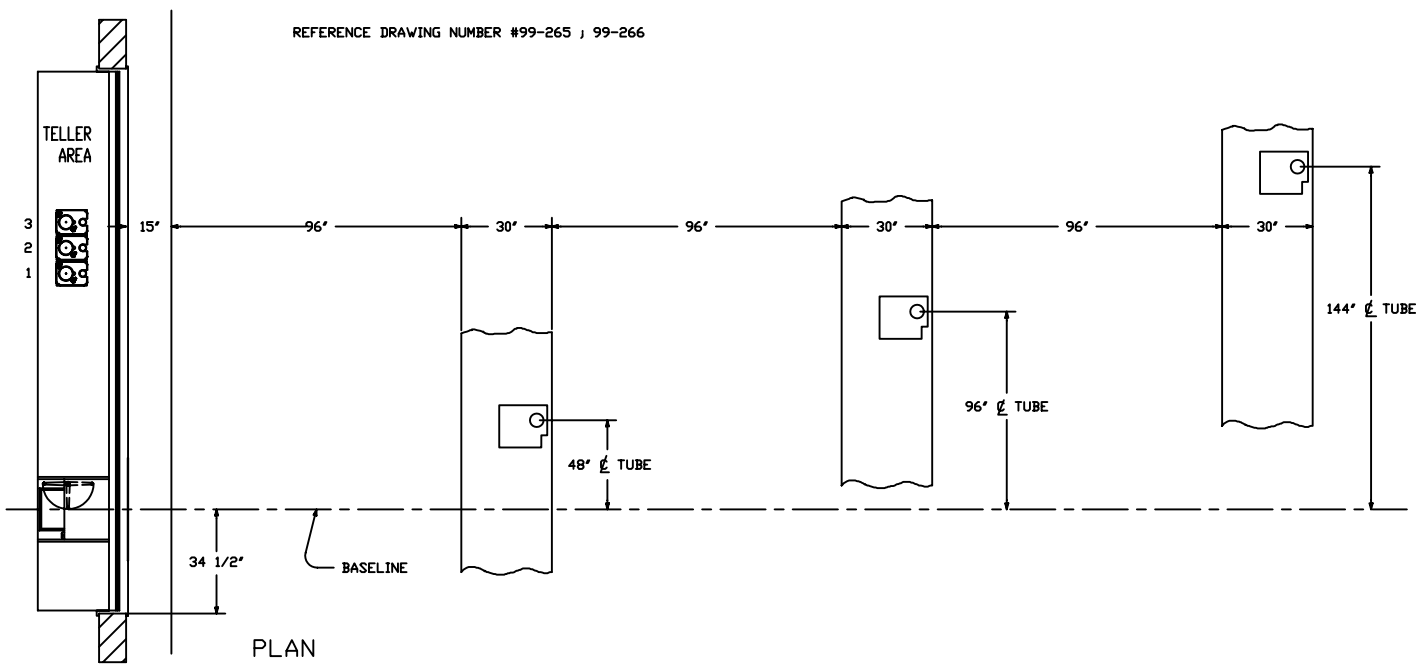
REFERENCE DRAWING NUMBER #99-265 ; 99-266

Drawing Number : 99-512A Date : 3/17/95



ISLAND DETAIL
(ALSO SEE DWG No 99-267)

REFERENCE DRAWING NUMBER #99-265 ; 99-266



PLAN

REV-1	DATE: 8-22-91	CHANGED THE DIM BETWEEN CUST. UNITS
REV-2	DATE: 1/17/97	REVISED LOCATION OF TELLER UNITS
REV-3	DATE: 8-18-99	REPLACED DEAL DRAWER WITH 400 DD
REV-4	DATE: 4/28/05	NEW STYLE TELLER

HAMILTON AIR
MODEL HA-1000
312 SYSTEM - UPSEND
WITH 315D WINDOW

Drawing Number : 99-512B Date : 3/17/95