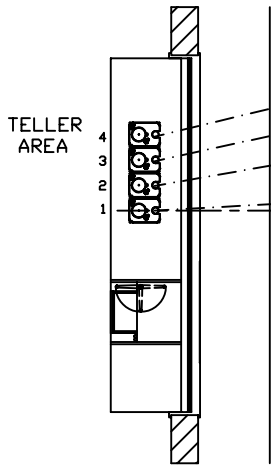


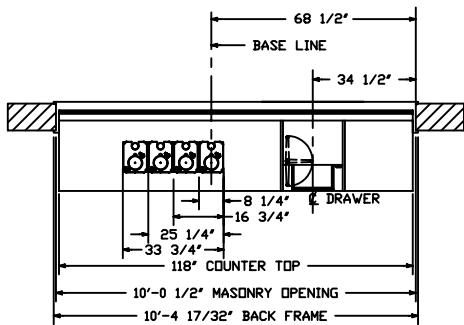
ELECTRICAL CONTRACTOR TO PROVIDE

- ALL CONDUIT AS DETAILED
- 20 AMP SERVICE TO TELLER AREA, AS SHOWN
- 117 VAC SERVICE, 20 AMP SERVICE TO EACH CUSTOMER UNIT (17 AMP FULL LOAD)
- CONDUIT 'C' IS FOR LOW VOLTAGE CONTROL CABLES INSTALLED BY TUBE SUPPLIER - ELECTRICAL CONTRACTOR TO PROVIDE PULL WIRES IN EACH CONDUIT

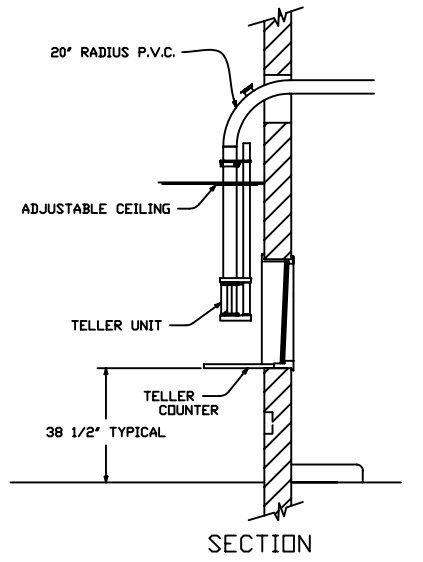


PLAN

NOTE: 'P' CONDUITS TO BUILDING POWER PANEL
'C' CONDUITS TO JUNCTION BOX BELOW COUNTER
AND EXTEND ABOVE CEILING TO TELLER AREA.
SEE DRAWING 99-266.

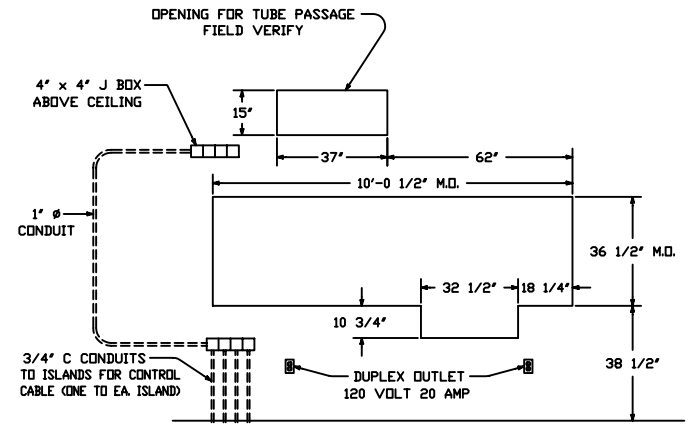
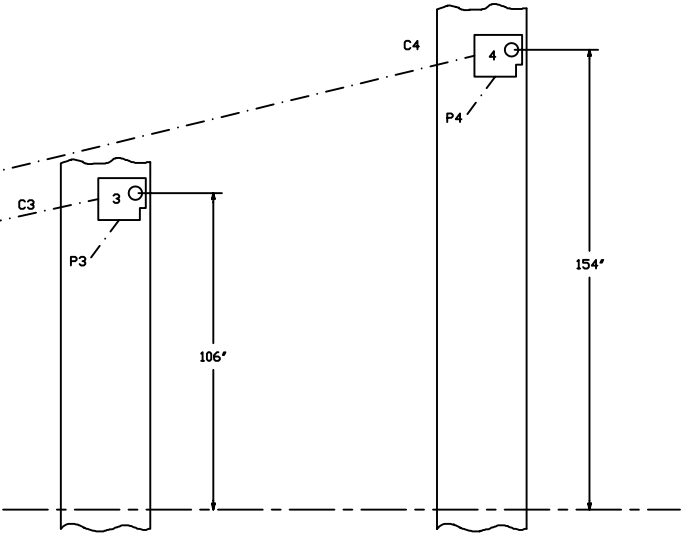


PLAN - INTERIOR

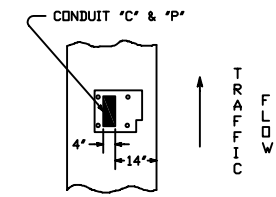


SECTION

REFERENCE DRAWING NUMBER #99-265 ; 99-266



MASONRY DETAIL
(FOR MODEL 310D U.L. WINDOW)



ISLAND DETAIL
(ALSO SEE DWG. 99-267)

| | | |
|--------|---------------|-------------------------------------|
| REV.-1 | DATE: 8-22-91 | CHANGED THE DIM BETWEEN CUST. UNITS |
| REV.-2 | DATE: 8-18-99 | REPLACED DEAL DRAWER WITH 400DD |
| REV.-3 | DATE: | CHGD BEND FROM 24" TO 20" |
| REV.-4 | DATE: 7/11/02 | CHANGED TO 310D WINDOW... |
| REV.-5 | DATE: 4/28/05 | NEW STYLE TELLER |

HAMILTON AIR

MODEL HA-1000
412 SYSTEM - UPSEND
INTERIOR DETAILS

Drawing Number : 99-509

Date : 2-8-93