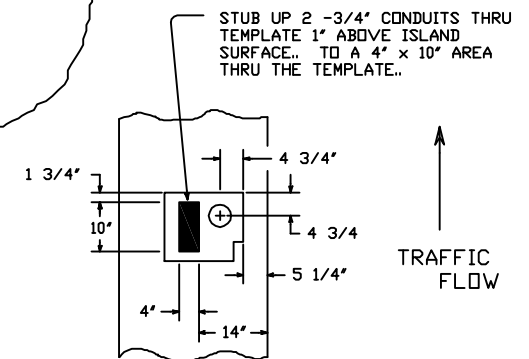


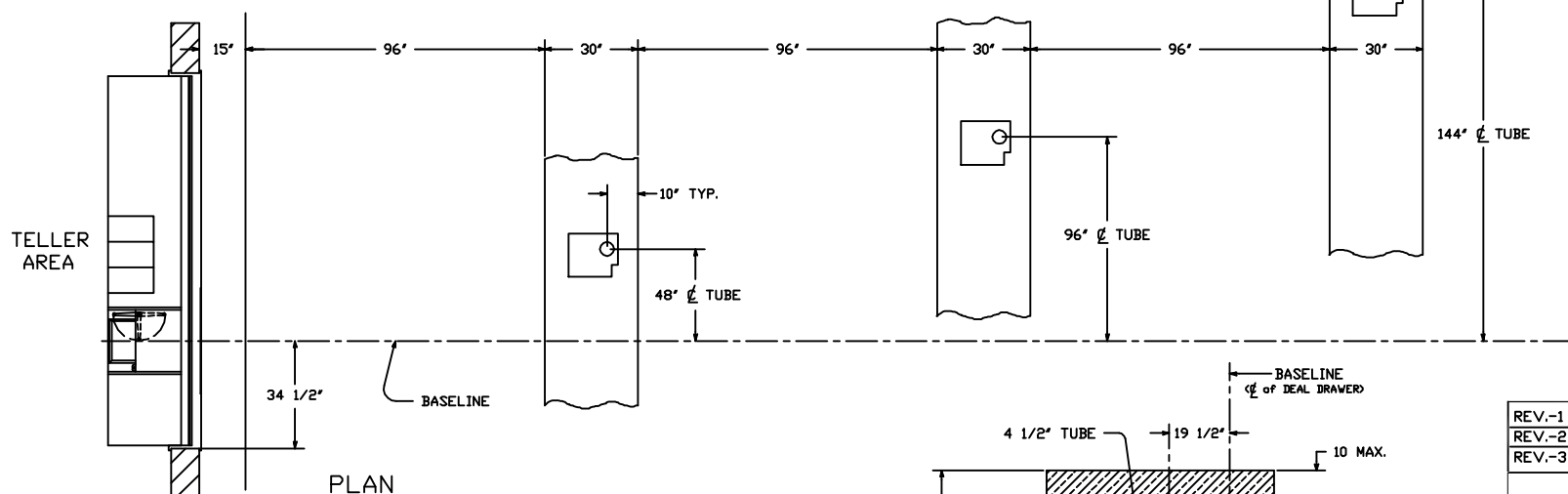
SECTION

GENERAL CONTRACTOR TO PROVIDE :

- TRENCH AS SHOWN WITH 6" SAND BASE
- LOCATION & INSTALLTION OF TEMPLATE
- 18" SAND BACKFILL OVER TUBES (SAND TO BE ON SITE PRIOR TO ARRIVAL OF TUBE INSTALLER)
- DEBRIS FREE BACKFILL OVER SAND AS REQUIRED
- ALL MASONRY OPENING & FINISH OF OPENING AFTER TUBE INSTALLATION
- ALL NECESSARY CONCRETE & MASONRY WORK
- ALL NECESSARY ELECTRICAL APPARATUS & WIRING AS PER DRAWING No. 99-352



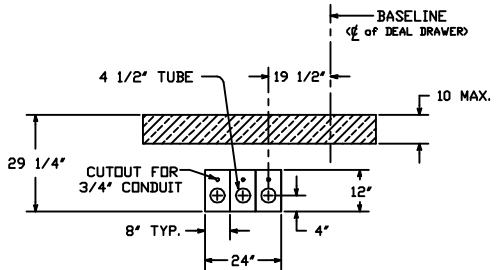
CUSTOMER UNIT TEMPLATE
(ALSO SEE DWG. 99-350)



PLAN

NOTE :

- SET ϕ OF TEMPLATE 1 ON BASELINE
- TEMPLATES BOLT TOGETHER FOR PROPER SPACING
- HOLD TEMPLATES SQUARE WITH WALL
- TOP OF METAL TEMPLATE TO BE SET AT FINISHED FLOOR GRADE



TELLER TEMPLATE

REV.-1	DATE: 8-22-91	CHANGED THE DIM BETWEEN CUST. UNITS
REV.-2	DATE: 8-18-99	REPLACED DEAL DRAWER WITH 400 DD
REV.-3	DATE:	

HAMILTON AIR
MODEL HA-1000-D
312 SYSTEM - DOWNSEND