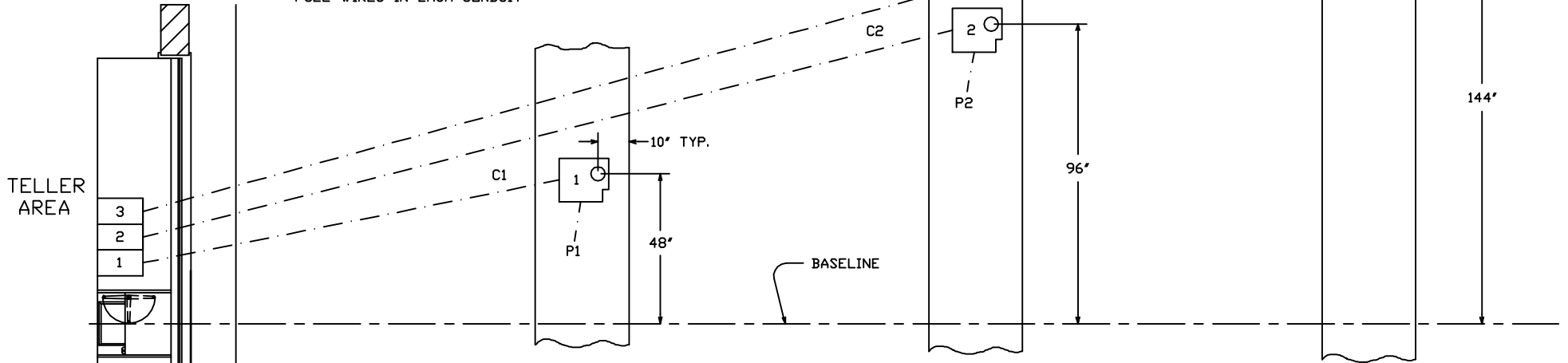


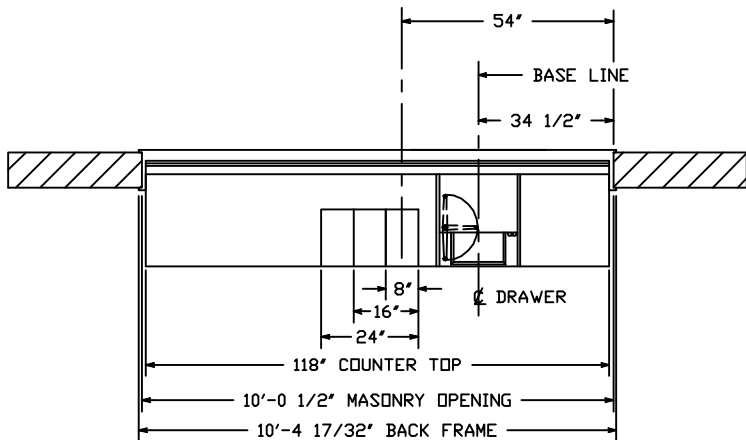
**ELECTRICAL CONTRACTOR TO PROVIDE**

- ALL CONDUIT AS DETAILED
- 20 AMP SERVICE TO TELLER AREA, AS SHOWN
- 117 VAC SERVICE, 30 AMP SERVICE TO EACH CUSTOMER UNIT (20 AMP FULL LOAD)
- CONDUIT 'C' IS FOR LOW VOLTAGE CONTROL CABLES INSTALLED BY TUBE SUPPLIER - ELECTRICAL CONTRACTOR TO PROVIDE PULL WIRES IN EACH CONDUIT

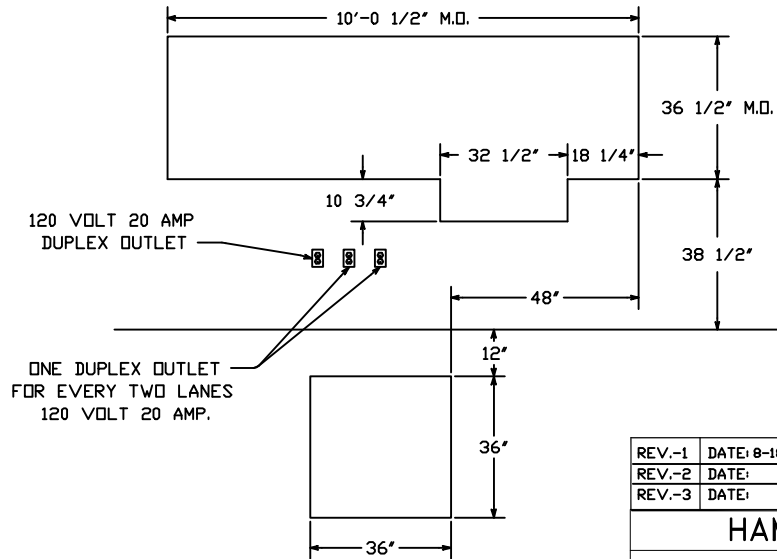


PLAN

NOTE : 'P' CONDUITS TO BUILDING POWER PANEL  
'C' CONDUITS TO TELLER UNIT TEMPLATE.



PLAN - INTERIOR



MASONRY DETAIL  
(FOR MODEL 310D U.L. WINDOW)

REV.-1	DATE: 8-18-99	REPLACED DEAL DRAWER WITH 400DD
REV.-2	DATE:	
REV.-3	DATE:	

**HAMILTON AIR**  
MODEL HA-1000-D  
312 SYSTEM - DOWNSEND  
INTERIOR DETAILS

Drawing Number : 99-365      Date : 8-23-91