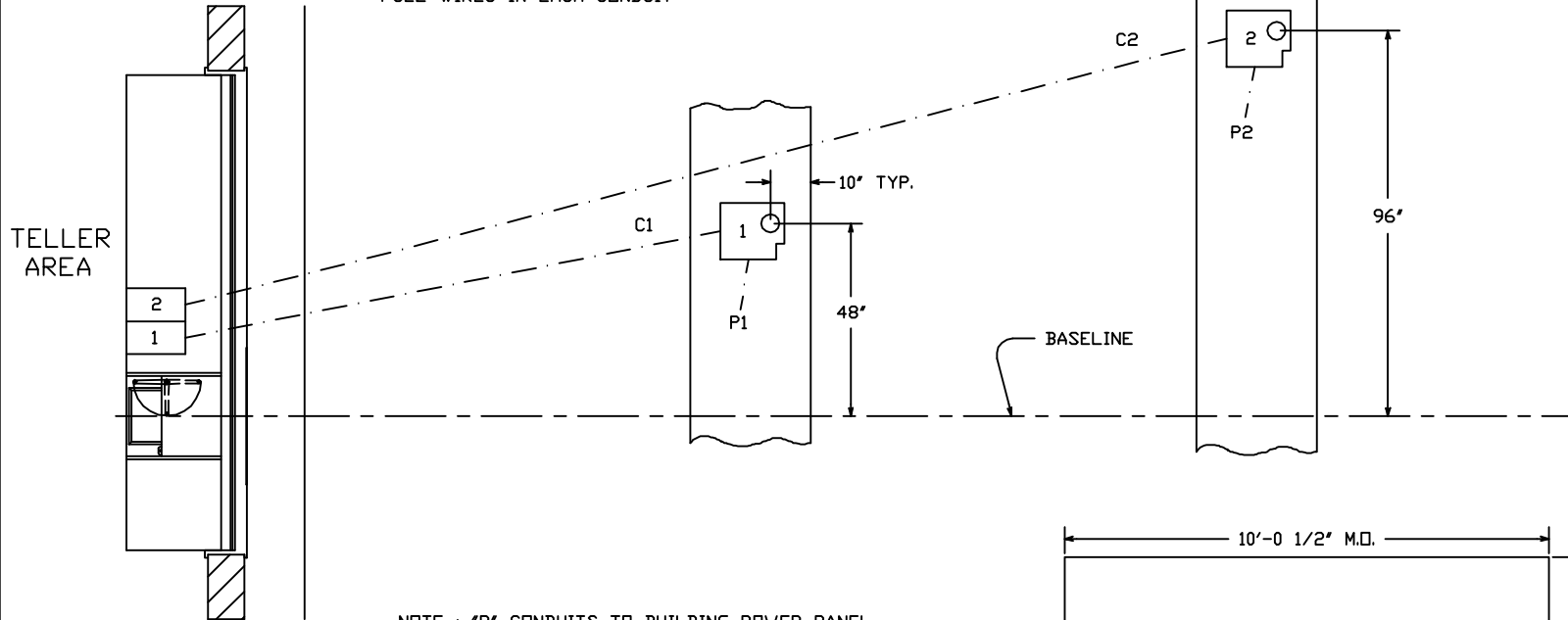


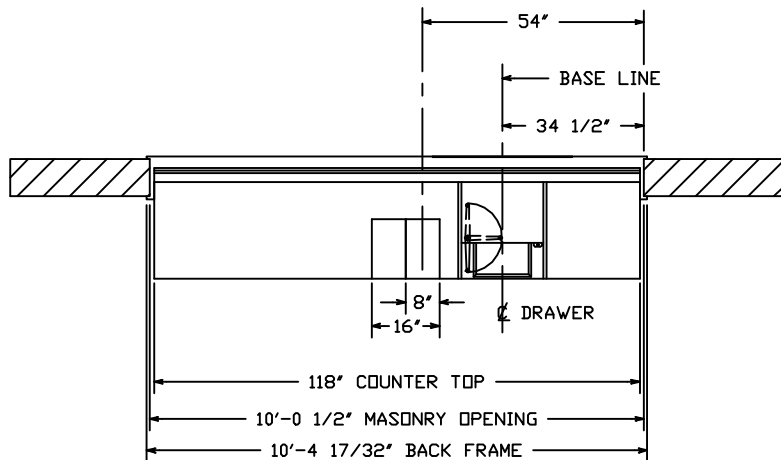
ELECTRICAL CONTRACTOR TO PROVIDE

- ALL CONDUIT AS DETAILED
- 20 AMP SERVICE TO TELLER AREA, AS SHOWN
- 117 VAC SERVICE, 30 AMP SERVICE TO EACH CUSTOMER UNIT (20 AMP FULL LOAD)
- CONDUIT "C" IS FOR LOW VOLTAGE CONTROL CABLES INSTALLED BY TUBE SUPPLIER - ELECTRICAL CONTRACTOR TO PROVIDE PULL WIRES IN EACH CONDUIT

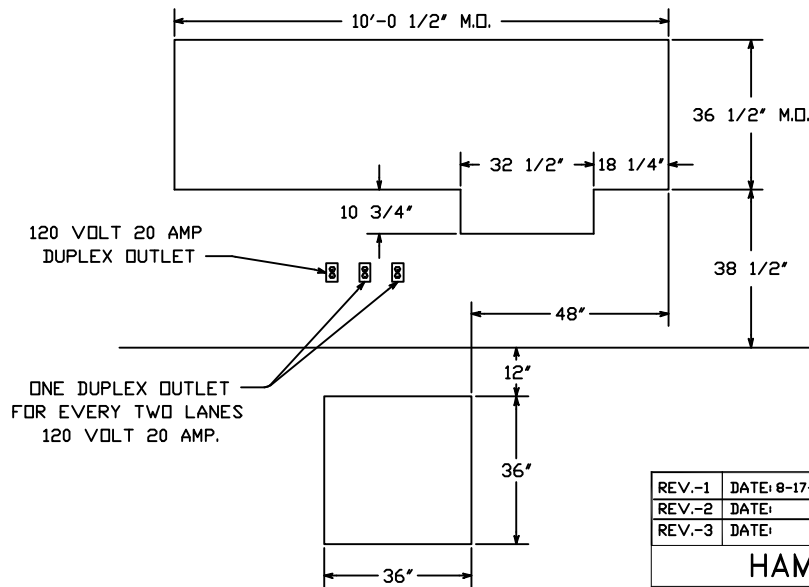


NOTE : "P" CONDUITS TO BUILDING POWER PANEL  
"C" CONDUITS TO TELLER UNIT TEMPLATE.

PLAN



PLAN - INTERIOR



MASONRY DETAIL  
(FOR MODEL 310D U.L. WINDOW)

REV.-1	DATE: 8-17-99	REPLACED DEAL DRAWER WITH 400DD
REV.-2	DATE:	
REV.-3	DATE:	

**HAMILTON AIR**

MODEL HA-1000-D  
212 SYSTEM - DOWNSEND  
INTERIOR DETAILS

Drawing Number : 99-359 Date : 8-23-91