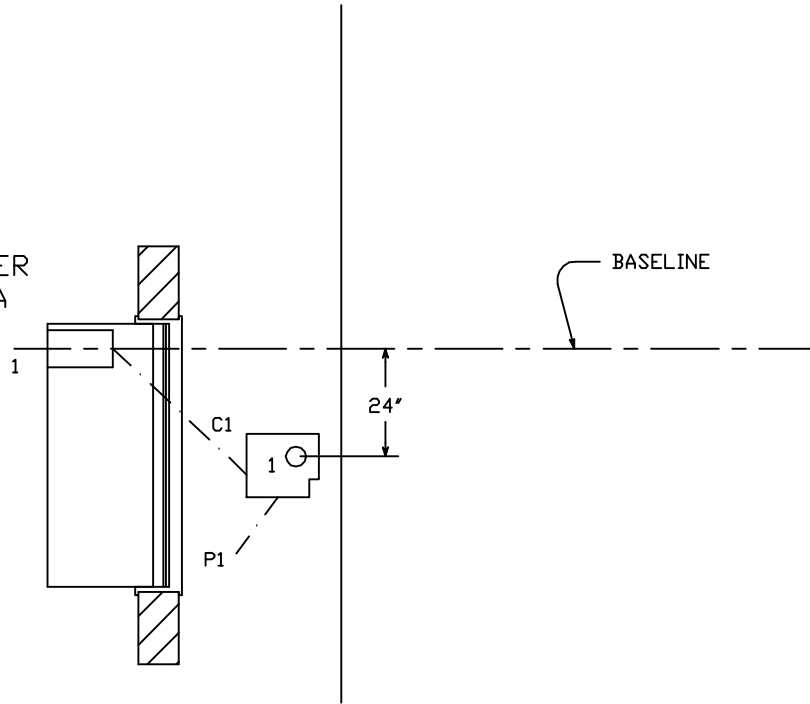
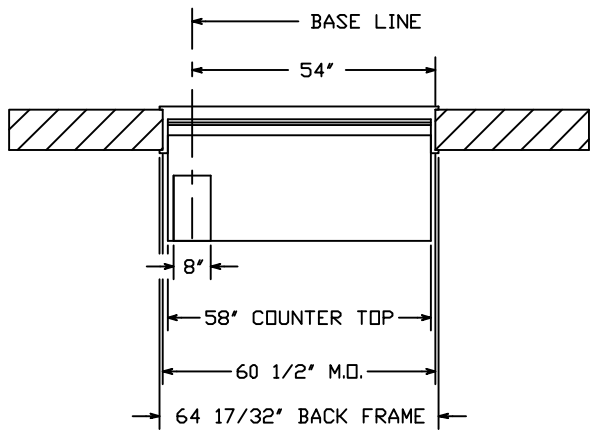


TELLER AREA



PLAN

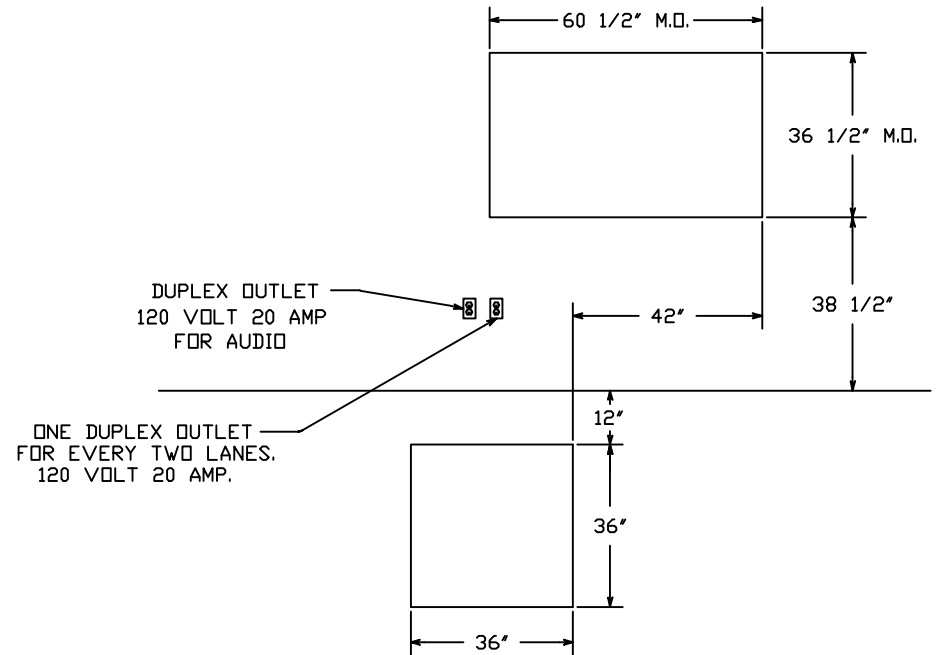
NOTE: "P" CONDUITS TO BUILDING POWER PANEL.
"C" CONDUITS TO TELLER UNIT TEMPLATE.



PLAN - INTERIOR

ELECTRICAL CONTRACTOR TO PROVIDE

- ALL CONDUIT AS DETAILED
- 20 AMP SERVICE TO TELLER AREA, AS SHOWN
- 117 VAC SERVICE, 30 AMP SERVICE TO EACH CUSTOMER UNIT (20 AMP FULL LOAD)
- CONDUIT "C" IS FOR LOW VOLTAGE CONTROL CABLES INSTALLED BY TUBE SUPPLIER - ELECTRICAL CONTRACTOR TO PROVIDE PULL WIRES IN EACH CONDUIT



MASONRY DETAIL
(FOR MODEL 035V U.L. WINDOW)

HAMILTON AIR	
MODEL HA-1000-D 101 SYSTEM - DOWNSEND INTERIOR DETAILS	
Drawing Number : 99-353	Date : 8-23-91