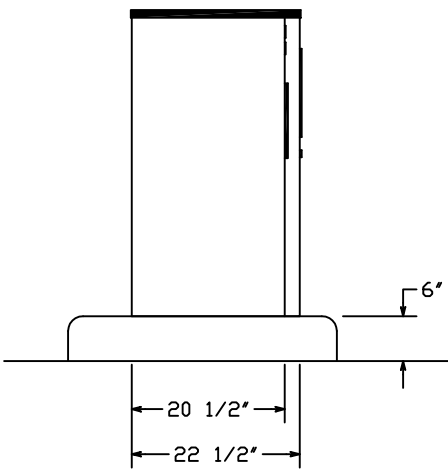
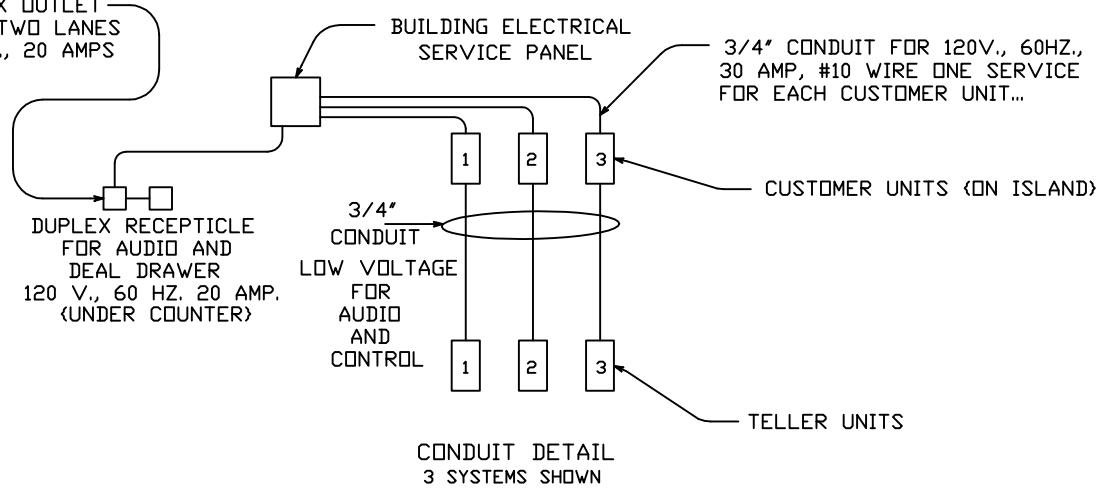
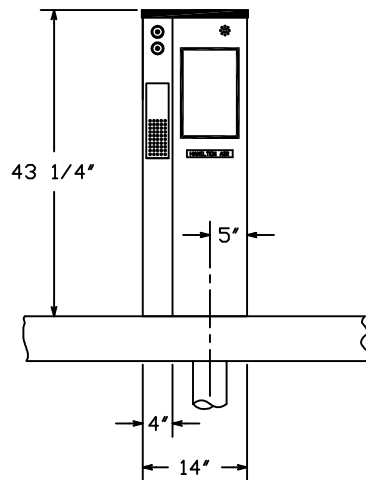


UNDERGROUND TUBING LOCATION

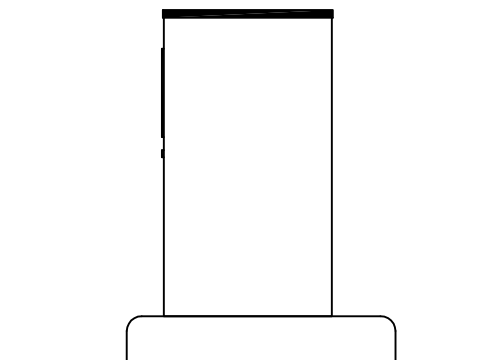
ONE DUPLEX OUTLET FOR EVERY TWO LANES 120V., 60HZ., 20 AMPS



LEFT SIDE ELEVATION



FRONT ELEVATION



RIGHT SIDE ELEVATION

NOTE : REFER TO DRAWING No 99-352 FOR GENERAL SPECIFICATIONS.

HAMILTON AIR
 MODEL HA-1000-DX
 DOWNSEND CUSTOMER UNIT
 EXTRA DEEP VERSION