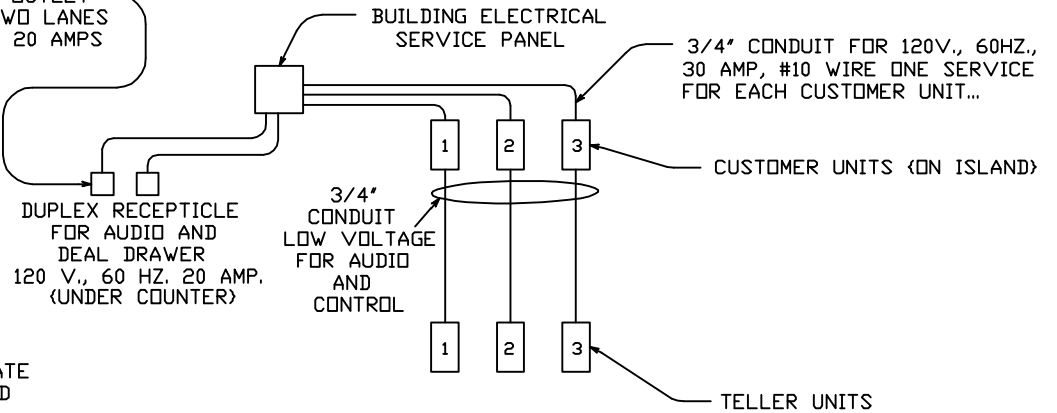
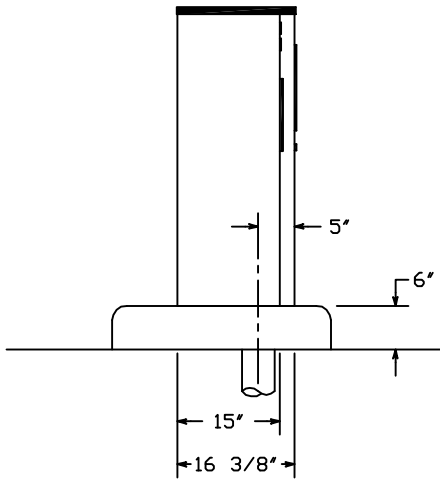


UNDERGROUND TEMPLATE LOCATION
 TEMPLATE IS INSTALLED IN ISLAND
 PRIOR TO TUBING INSTALLATION

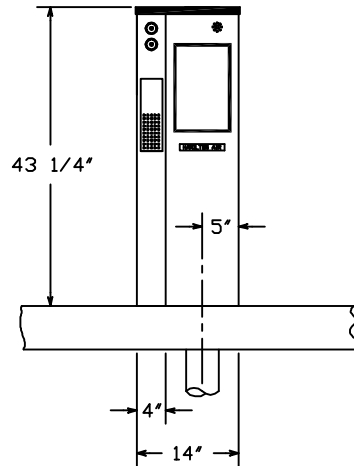
ONE DUPLEX OUTLET
 FOR EVERY TWO LANES
 120V., 60HZ., 20 AMPS



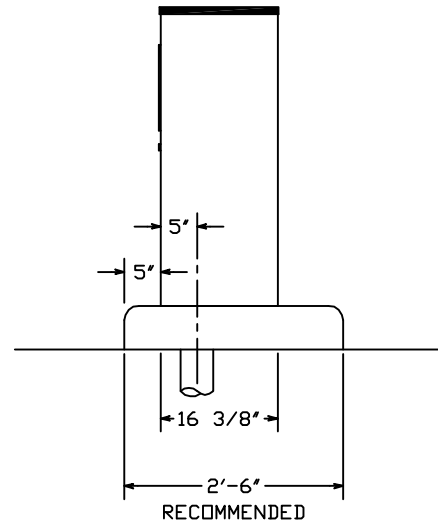
CONDUIT DETAIL
 3 SYSTEMS SHOWN



LEFT SIDE ELEVATION



FRONT ELEVATION



RIGHT SIDE ELEVATION

NOTE : REFER TO DRAWING No 99-352
 FOR GENERAL SPECIFICATIONS.

REV.-1	DATE: 3-19-92	CHANGED THE WIDTH OF CUST. UNIT
REV.-2	DATE: 4-4-94	CHANGED THE DEPTH OF UNIT.
REV.-3	DATE:	

HAMILTON AIR

MODEL HA-1000-D
 DOWNSEND CUSTOMER UNIT