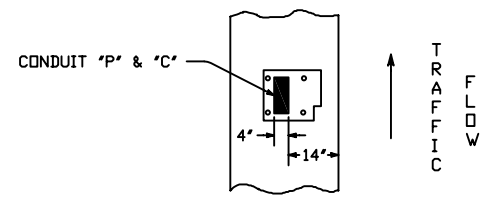
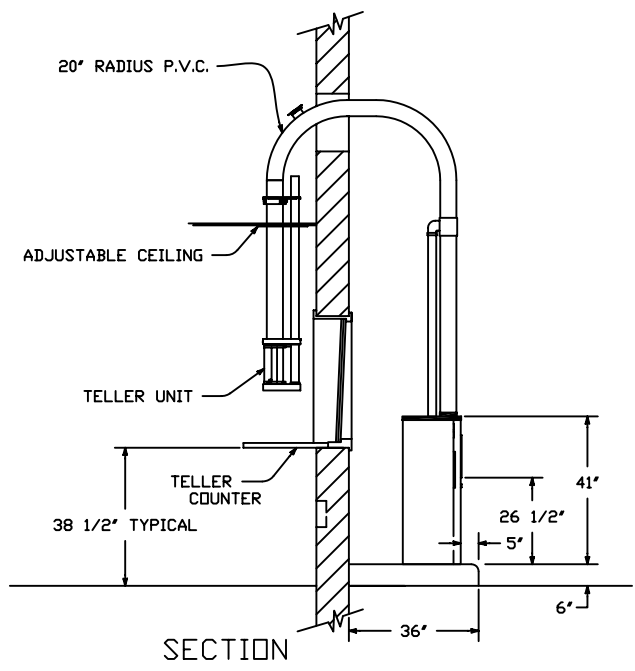
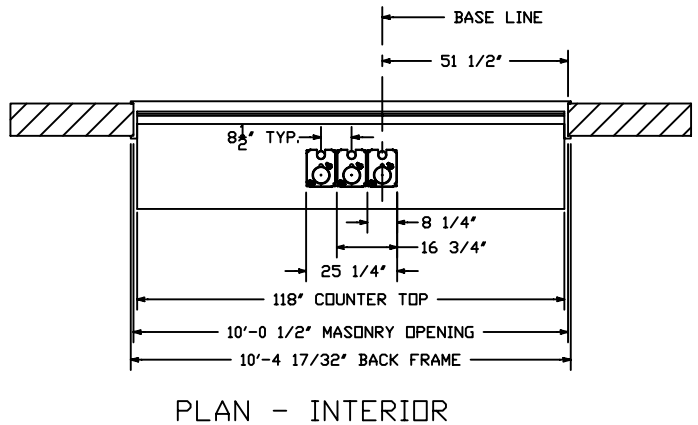
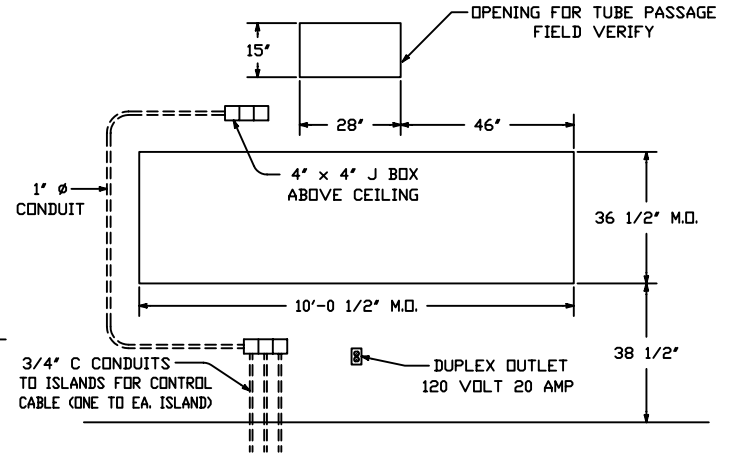


ELECTRICAL CONTRACTOR TO PROVIDE

- ALL CONDUIT AS DETAILED
- 20 AMP SERVICE TO TELLER AREA, AS SHOWN
- 117 VAC SERVICE, 20 AMP SERVICE TO EACH CUSTOMER UNIT (17 AMP FULL LOAD)
- CONDUIT "C" IS FOR LOW VOLTAGE CONTROL CABLES INSTALLED BY TUBE SUPPLIER - ELECTRICAL CONTRACTOR TO PROVIDE PULL WIRES IN EACH CONDUIT



REFERENCE DRAWING NUMBER #99-265 ; 99-266

REV.-1	DATE: 8-22-91	CHG THE DIM BETWEEN CUST. UNITS
REV.-2	DATE: 3-18-92	ADDED THE SOFT LANDING KIT.
REV.-3	DATE: 8-17-99	CHGD BEND FROM 24" TO 20" RADIUS
REV.-4	DATE: 4/28/05	NEW STYLE TELLER

HAMILTON AIR

MODEL HA-1000

302 SYSTEM - UPSEND

INTERIOR DETAILS

Drawing Number : 99-277 Date : 2-6-91