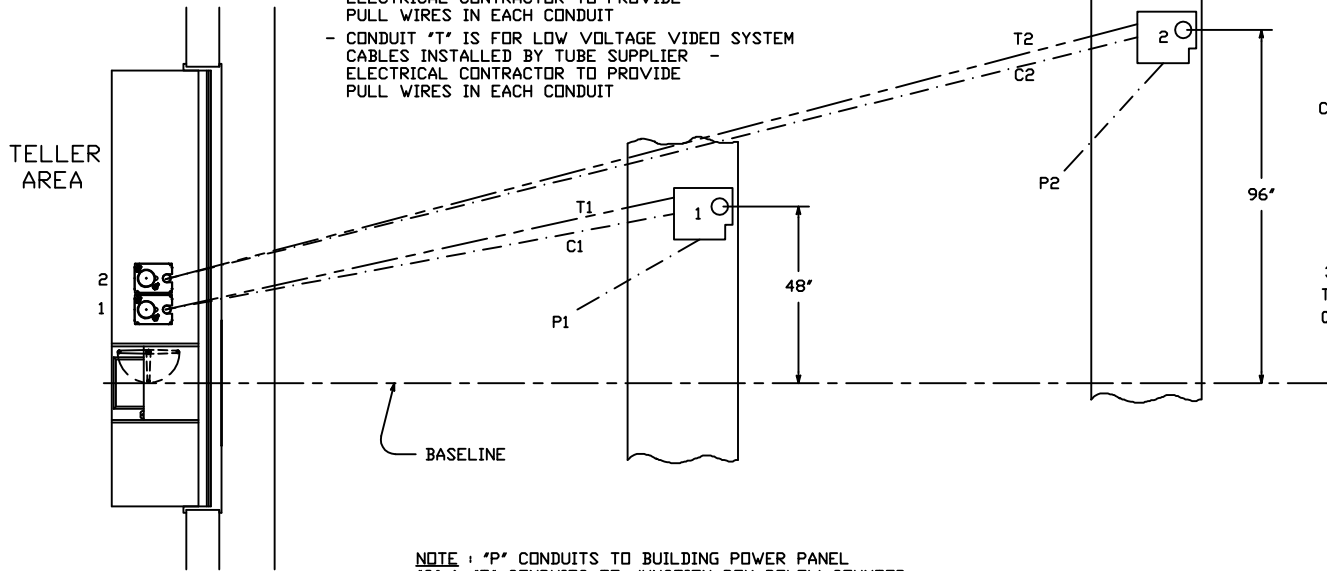


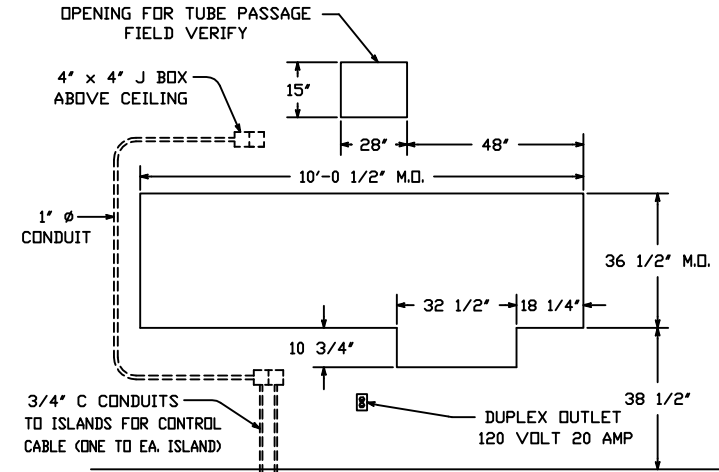
**ELECTRICAL CONTRACTOR TO PROVIDE**

- ALL CONDUIT AS DETAILED
- 20 AMP SERVICE TO TELLER AREA, AS SHOWN
- 117 VAC SERVICE, 20 AMP SERVICE TO EACH CUSTOMER UNIT (17 AMP FULL LOAD)
- CONDUIT 'C' IS FOR LOW VOLTAGE CONTROL CABLES INSTALLED BY TUBE SUPPLIER - ELECTRICAL CONTRACTOR TO PROVIDE PULL WIRES IN EACH CONDUIT
- CONDUIT 'T' IS FOR LOW VOLTAGE VIDED SYSTEM CABLES INSTALLED BY TUBE SUPPLIER - ELECTRICAL CONTRACTOR TO PROVIDE PULL WIRES IN EACH CONDUIT

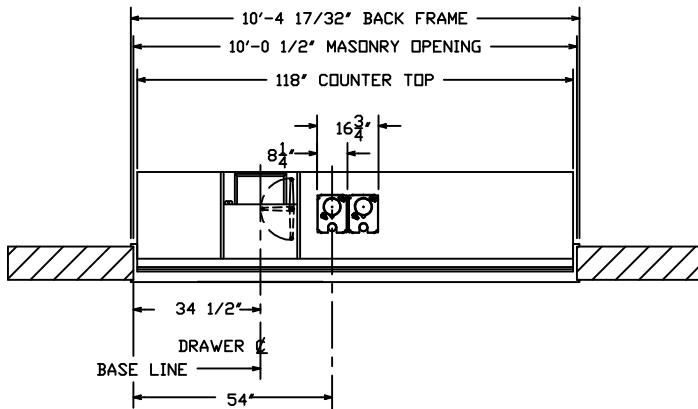


PLAN

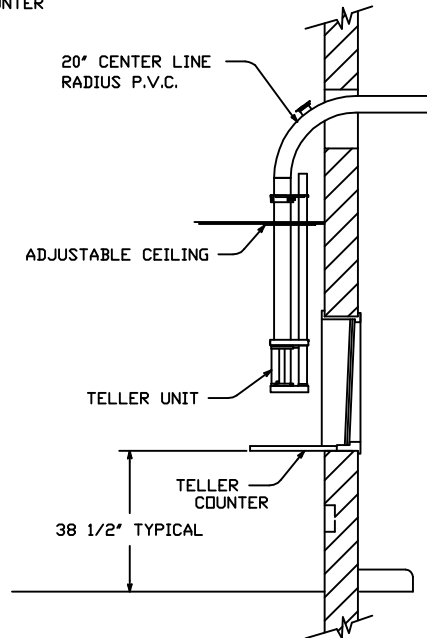
NOTE: 'P' CONDUITS TO BUILDING POWER PANEL  
'C' & 'T' CONDUITS TO JUNCTION BOX BELOW COUNTER  
AND EXTEND ABOVE CEILING TO TELLER AREA.  
SEE DRAWING 99-266.



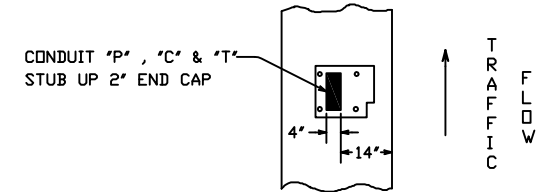
MASONRY DETAIL  
(FOR MODEL 310D U.L. WINDOW)



PLAN - INTERIOR



SECTION



ISLAND DETAIL  
(ALSO SEE DWG. 99-267)

REV.-1	DATE: 8-22-91	CHG THE DIM BETWEEN CUST. UNITS
REV.-2	DATE: 8-17-99	CHGD BEND FROM 24" TO 20" RADIUS
REV.-3	DATE: 5/11/04	ADDED 'T' CONDUIT DETAILS
REV.-4	DATE: 4/28/05	NEW STYLE TELLER
REV.-5	DATE: 8/21/13	CORRECTED PLAN. WAS 8FT WINDOW

**HAMILTON AIR**

MODEL HA-1000  
212 SYSTEM - UPSEND  
INTERIOR DETAILS