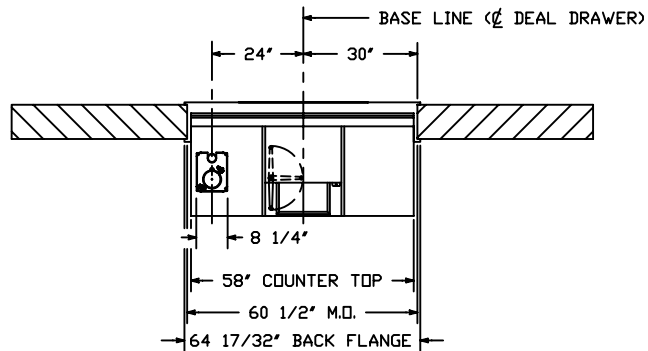
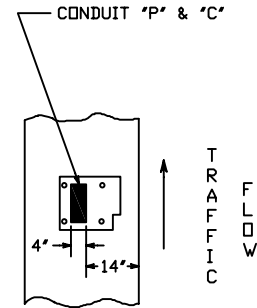


PLAN

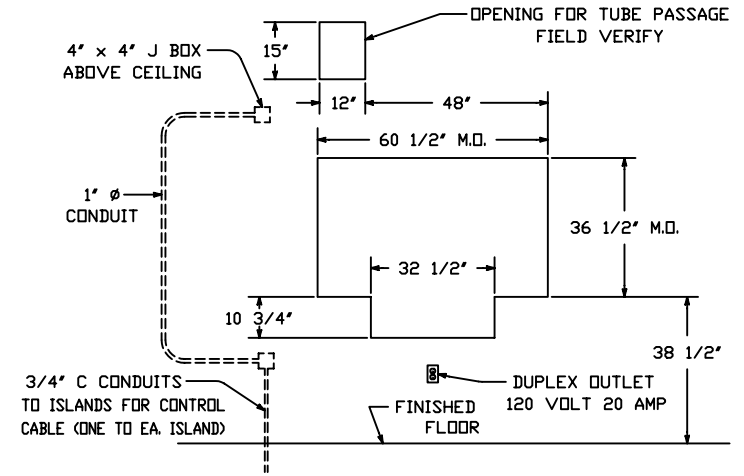
NOTE: 'P' CONDUITS TO BUILDING POWER PANEL  
'C' CONDUITS TO JUNCTION BOX BELOW COUNTER  
AND EXTEND ABOVE CEILING TO TELLER AREA.  
SEE DRAWING 99-266.



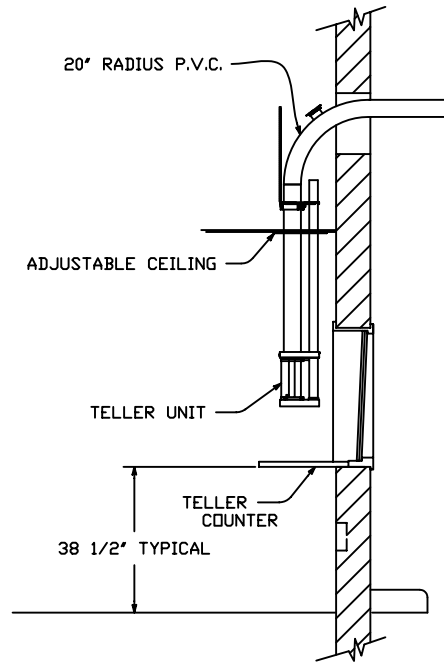
PLAN - INTERIOR



ISLAND DETAIL  
(ALSO SEE DWG. 99-267)



MASONRY DETAIL  
(FOR MODEL 035D U.L. WINDOW)



SECTION

REFERENCE DRAWING NUMBER #99-265 ; 99-266

ELECTRICAL CONTRACTOR TO PROVIDE

- ALL CONDUIT AS DETAILED
- 20 AMP SERVICE TO TELLER AREA, AS SHOWN
- 117 VAC SERVICE, 20 AMP SERVICE TO EACH CUSTOMER UNIT (17 AMP FULL LOAD)
- CONDUIT 'C' IS FOR LOW VOLTAGE CONTROL CABLES INSTALLED BY TUBE SUPPLIER - ELECTRICAL CONTRACTOR TO PROVIDE PULL WIRES IN EACH CONDUIT

REV.-1 DATE: 8-22-91 CHG THE DIM BETWEEN CUST. UNITS  
REV.-2 DATE: 8-17-99 CHGD BEND FROM 24" TO 20" RADIUS  
REV.-3 DATE: 4/28/05 NEW STYLE TELLER

**HAMILTON AIR**

MODEL HA-1000  
111 SYSTEM - UPSEND  
INTERIOR DETAILS

Drawing Number : 99-271 | Date : 1-10-91