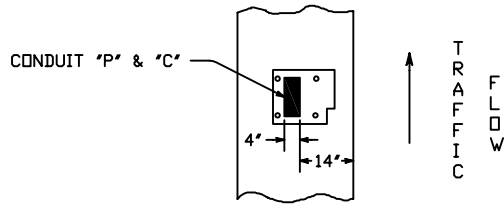
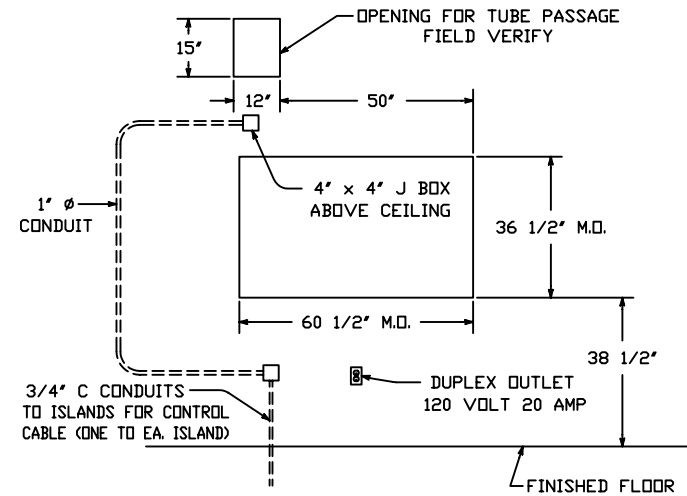


PLAN

NOTE: "P" CONDUITS TO BUILDING POWER PANEL
 "C" CONDUITS TO JUNCTION BOX BELOW COUNTER
 AND EXTEND ABOVE CEILING TO TELLER AREA.
 SEE DRAWING 99-266.



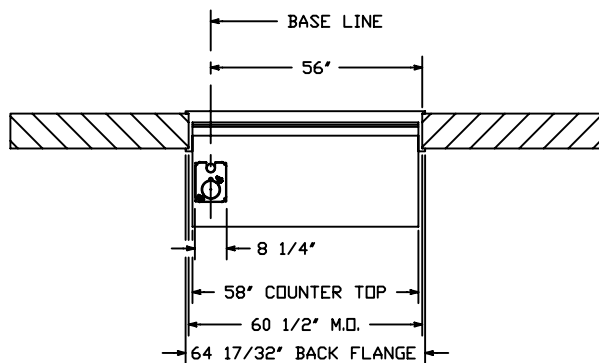
ISLAND DETAIL
 (ALSO SEE DWG. 99-267)



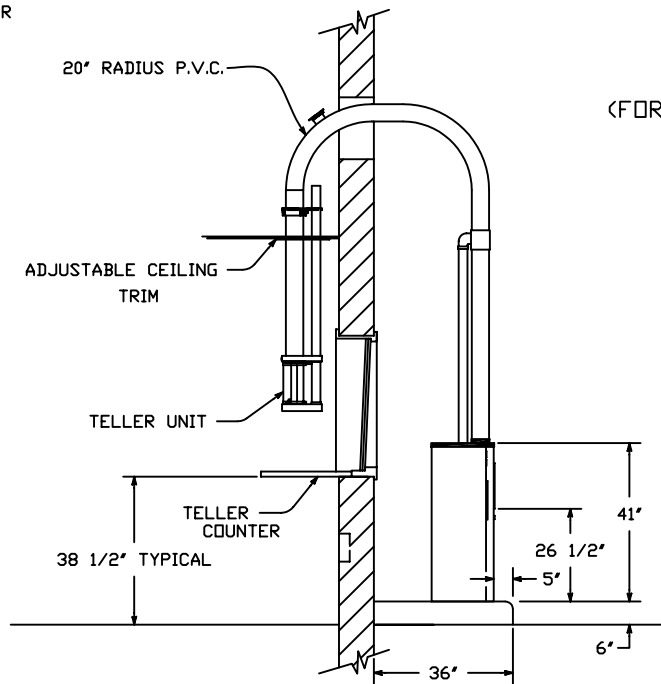
MASONRY DETAIL
 (FOR MODEL 035V U.L. WINDOW)

ELECTRICAL CONTRACTOR TO PROVIDE

- ALL CONDUIT AS DETAILED
- 20 AMP SERVICE TO TELLER AREA, AS SHOWN
- 117 VAC SERVICE, 20 AMP SERVICE TO EACH CUSTOMER UNIT (17 AMP FULL LOAD)
- CONDUIT "C" IS FOR LOW VOLTAGE CONTROL CABLES INSTALLED BY TUBE SUPPLIER - ELECTRICAL CONTRACTOR TO PROVIDE PULL WIRES IN EACH CONDUIT



PLAN - INTERIOR



SECTION

REFERENCE DRAWING NUMBER #99-265 ; 99-266

REV.-1	DATE: 8-22-91	CHG. THE DIM BETWEEN CUST. UNITS
REV.-2	DATE: 3-18-92	ADDED THE SOFT LANDING KIT
REV.-3	DATE: 8/17/99	CHGD BEND FROM 24" TO 20" RADIUS
REV.-4	DATE: 4/28/05	NEW STYLE TELLER
REV.-5	DATE: 7/12/06	2006 NEW STYLE TELLER UNIT

HAMILTON AIR

MODEL HA-1000
 101 SYSTEM - UPSEND
 INTERIOR DETAILS